

Small genus knots in lens spaces have small bridge number

KENNETH L BAKER

In a lens space X of order r a knot K representing an element of the fundamental group $\pi_1 X \cong \mathbb{Z}/r\mathbb{Z}$ of order $s \leq r$ contains a connected orientable surface S properly embedded in its exterior $X - N(K)$ such that ∂S intersects the meridian of K minimally s times. Assume S has just one boundary component. Let g be the minimal genus of such surfaces for K , and assume $s \geq 4g - 1$. Then with respect to the genus one Heegaard splitting of X , K has bridge number at most 1.

57M27; 57M25

1 Statement of results

Any knot K in a lens space $X = L(r, q)$, $r > 0$, is rationally nullhomologous, ie $[K] = 0 \in H_1(X; \mathbb{Q}) \cong 0$. We say r is the *order* of the lens space X , and we say the smallest positive integer s such that $s[K] = 0 \in H_1(X; \mathbb{Z}) \cong \mathbb{Z}/r\mathbb{Z}$ is the *order* of the knot K . Note $s \leq r$. The exterior $X - N(K)$ of K thus contains a connected properly embedded orientable surface S such that when S is oriented ∂S is coherently oriented on $\partial \bar{N}(K)$ and intersects the meridian $\mu \subseteq \partial \bar{N}(K)$ of K minimally s times, ie $|\mu \cdot \partial S| = s$. Such a surface S is an analogue of a Seifert surface for a knot in S^3 . We refer to the genus of a knot K in X as the minimal genus of these “rational” Seifert surfaces for K . For this article we will restrict our attention to knots with rational Seifert surfaces that have just one boundary component.

In this paper we prove the following theorem.

Theorem 1.1 *Let K be a genus g knot of order s in a lens space X whose Seifert surfaces have one boundary component. If $s \geq 4g - 1$ then, with respect to the Heegaard torus of X , K has bridge number at most 1.*

Theorem 1.1 may be curiously rephrased as saying small genus knots in lens spaces have small bridge number.

In [1] Berge shows that double-primitive knots (ie simple closed curves that lie on a genus 2 Heegaard surface in S^3 and represent a generator of π_1 for each handlebody)

admit lens space surgeries. We refer to these knots as *Berge knots*. Berge further shows that the corresponding knot in the resulting lens space is 1-bridge.

Theorem 1.1 may be used to show the following theorem which one may care to compare with Conjecture 1.3.

Theorem 1.2 *Let K' be a genus g knot in S^3 . If K' admits a lens space surgery of order $r \geq 4g - 1$ then K' is a Berge knot.*

Conjecture 1.3 (Berge [1]) *If K is a knot in a lens space X with an S^3 surgery, then with respect to the genus one Heegaard splitting of X , K has bridge number at most 1. In particular, the corresponding knot $K' \subseteq S^3$ is a Berge knot.*

1.1 A quick overview of knots with lens space surgeries

For coprime integers p and q , a p/q Dehn surgery on a knot in S^3 is the process of removing a solid torus neighborhood of the knot and attaching a new solid torus so that on the torus boundary of the knot exterior the new meridian is homologous to p times the old meridian and q times the old longitude. The rational number p/q (including $1/0$) is called the *slope* of the surgery. We say a knot in S^3 *admits a lens space surgery* if some p/q Dehn surgery with $q \neq 0$ yields a lens space.

As a consequence of Thurston's geometrization [19; 20], a knot in S^3 is either a torus knot, a satellite knot, or a hyperbolic knot. For any given torus knot, Moser describes all p/q Dehn surgeries that produce lens spaces [12]. Satellite knots and the slopes along which they admit lens space surgeries are classified by Bleiler and Litherland [2]. Hyperbolic knots admitting lens space surgeries have yet to be classified though they are conjectured to be Berge knots. Because the nonhyperbolic knots that admit lens space surgeries are also Berge knots, Conjecture 1.3 contains this conjecture, albeit in another guise. Furthermore, by the Cyclic Surgery Theorem [3], if p/q Dehn surgery on any nontorus knot produces a lens space, then $q = \pm 1$, ie the surgery slope is *integral*.

1.2 Berge's list of double-primitive knots

Berge also gives a conjecturally complete list of double-primitive knots [1]. Based on calculations from this list, Goda and Teragaito propose the following conjecture.

Conjecture 1.4 (Goda–Teragaito [5]) *If a hyperbolic knot in S^3 of genus g admits a lens space surgery of order r , then $2g + 8 \leq r \leq 4g - 1$.*

If Berge's list is complete, then Theorem 1.2 not only would confirm this upper bound but also would reprove the following theorem of Rasmussen.

Theorem 1.5 (Rasmussen [16]) *If a nontrivial knot in S^3 of genus g admits a lens space surgery of order r , then $r \leq 4g + 3$.*

1.3 Towards a conjecture of Bleiler and Litherland

Oszváth and Szabó have shown that the Alexander polynomial $\Delta_K(T)$ of a knot K with a lens space surgery determines \widehat{HFK} [15]. This then implies that the degree of $\Delta_K(T)$ equals twice the genus of K [14]. At the end of [13] for each lens space of order at most 26 they list polynomials among which must be the Alexander polynomial of any knot that yields the lens space by positive integer surgery. (Indeed they present an algorithm for listing such polynomials associated to any given lens space.) From the results of [15] these lists may be refined by removing any polynomial whose nonzero coefficients do not alternate between $+1$ and -1 . For each polynomial $A(T)$ listed for a lens space of order $r < 18$ with the exception of the polynomial listed for $L(14, 11)$ we have $4(\frac{1}{2} \deg A(T)) - 1 \leq r$. Thus by Theorem 1.2 if K' is a nontrivial knot in S^3 admitting a lens space surgery of order $r < 18$ other than $L(14, 11)$, then K' is a Berge knot. Computations discussed by Berge [1] confirm that 1-bridge knots in lens spaces of order less than 1000 with surgery yielding S^3 correspond to knots in Berge's list. Thus we conclude the following theorem.

Theorem 1.6 *If a hyperbolic knot in S^3 admits a lens space surgery of order r , then $r = 14$ or $r \geq 18$.*

This nearly obtains the following conjecture.

Conjecture 1.7 (Bleiler–Litherland [2]) *If a hyperbolic knot in S^3 admits a lens space surgery of order r , then $r \geq 18$.*

The $(-2, 3, 7)$ -pretzel knot which is genus 5 and has a lens space surgery of order 18 (and a second of order 19) is hyperbolic and realizes this conjectured bound. Note that $L(14, 11)$ is obtained by integral surgery on $T_{(3,5)}$, the $(3, 5)$ torus knot, which has genus 4. To resolve Conjecture 1.7, one must address whether ± 14 surgery on a genus 4 hyperbolic knot K in S^3 with $\Delta_K(T) = \Delta_{T_{(3,5)}}(T)$ can yield $L(14, 11)$.

Note that if for every polynomial $A(T)$ that Oszváth and Szabó's algorithm lists for $L(r, q)$ we have $4(\frac{1}{2} \deg A(T)) - 1 \leq r$, then the above method permits us to determine

every knot in S^3 that has a surgery producing $L(r, q)$. Since such knots must be Berge knots, one appeals to the last paragraph of [1] to determine the knots if $r < 1000$.

If $r \geq 1000$ and there exists a nontrivial $A(T)$ in Ozsváth and Szabó's list for $L(r, q)$, then since Berge's list is not yet known to be complete one must also examine all 1-bridge knots in $L(r, q)$ for which an integer surgery may yield S^3 . This may be done in the manner in which the list at the end of [1] is produced. Berge shows that there are finitely many such knots to consider [1, Theorem 3]. Since deciding whether a genus 2 Heegaard diagram represents S^3 is algorithmic [9], this is a finite process.

Further note that Ozsváth and Szabó do not (necessarily) list polynomials for $L(r, q)$ that may be Alexander polynomials of knots for which nonintegral surgery yields $L(r, q)$. As mentioned previously, such knots are known to be only torus knots [3, Cyclic Surgery Theorem], and Moser's classification [12] gives a means of checking for these.

For example, for the lens space $L(19, 11)$ Ozsváth and Szabó list only the polynomial $T^{-5} - T^{-4} + T^{-2} - T^{-1} + 1 - T + T^2 - T^4 + T^5$. Since $4 \cdot 5 - 1 = 19$, we examine Berge's list to see that this corresponds only to the $(-2, 3, 7)$ -pretzel knot. In fact, this is the only knot in S^3 for which positive surgery yields $L(19, 11)$, and moreover it is hyperbolic. Indeed, $-L(19, 11) = L(19, 8)$ may be only obtained by $19/2$ surgery on $T_{(-2,5)}$ and by $19/3$ surgery on $T_{(-2,3)}$, a trefoil. Thus $L(19, 11)$ may also be obtained by $-19/2$ surgery on $T_{(2,5)}$ and by $-19/3$ surgery on $T_{(2,3)}$.

We further examine Ozsváth and Szabó's list for lens spaces of order 19. Because it has genus 4 we may conclude that $L(19, 5)$ is obtained only by 19 surgery on $T_{(-2,9)}$. Although $L(19, 16)$ may be obtained by 19 surgery on $T_{(-4,5)}$, its genus is 6 which is too large for our methods to determine whether there are other knots for which surgery may yield this lens space. Aside from reflections of the above mentioned torus knots with the corresponding sign change for surgery slope, no other torus knots have lens space surgeries or order 19.

1.4 Proof of Theorem 1.2

Proof If K' admits a lens space surgery X of order r , then the surgery slope crosses the 0-slope minimally r times. Thus if K is the corresponding knot in the lens space X , K has order r .

If $r \geq 4g - 1$ then by Theorem 1.1, K is at most a 1-bridge knot in X . If K is a 0-bridge knot, then K' is a torus knot and hence a Berge knot. If K is not 0-bridge then Theorem 2 of [1] shows that K' is a double-primitive knot in S^3 and hence a Berge knot. \square

1.5 Further questions

The proof of Theorem 1.1 is dependent upon K having a Seifert surface with just one boundary component.

Question 1.8 *Do similar results hold if the Seifert surfaces for K have more than one boundary component?*

One wonders whether there are other relationships among knot order, genus, and bridge number (or width) for knots in lens spaces. In a given lens space for any specified order and bridge number one may construct knots of arbitrarily large genus. Indeed the collection of torus knots of a given order in a lens space ought to contain knots of arbitrarily large genus. Thus we ask questions akin to Theorem 1.1. In the remainder of this section we restrict ourselves to considering knots in lens spaces whose Seifert surfaces have just one boundary component.

Question 1.9 *If K is a genus g knot of order s in a lens space such that $s = 4g - 2$, is the bridge number of K bounded?*

If we instead ask that $s = 4g - 3$ then nullhomologous genus 1 knots satisfy the hypothesis. Assumably Whitehead doubles of knots in lens spaces can be concocted to have arbitrarily large bridge number. Further alterations to the question are then required such as restricting attention to knots whose order equals that of the lens space.

In another direction, Theorem 1.1 shows that any genus 1 knot of order at least 3 is 1-bridge, any genus 2 knot of order at least 7 is 1-bridge, etc. Clearly genus 1 knots of order 1 contained in a ball in a lens space correspond to genus 1 knots in S^3 . Indeed there are many other nullhomologous genus 1 knots in a lens space.

Question 1.10 *Is there a characterization of genus 1 knots of order 2 in lens spaces?*

Problem 1.11 *Classify genus 1 knots of order at least 3 in lens spaces.*

Question 1.12 *If K is a knot of order s in a lens space, then for each integer $b \geq 2$ what is the minimal possible genus of K with bridge number b ?*

1.5.1 Acknowledgements The author would like to thank John Berge and especially John Luecke for many useful conversations. The author is also indebted to the reviewer for the many constructive comments and suggestions. This work was partially supported by a VIGRE postdoc under NSF grant number DMS-0089927 to the University of Georgia at Athens.

2 Preliminaries

The notion of thin position for knots in S^3 was first introduced by Gabai and employed in his proof of Property R [4]. The theory of thin position for knots has since been greatly developed; see Scharlemann's survey [18]. As one may observe, the idea of thin position naturally generalizes to knots in three manifolds with a given Heegaard splitting. We discuss this below in Section 2.2 for genus 1 Heegaard splittings.

The graphs of intersection arising from two intersecting properly embedded surfaces in the complement of a knot have a history of usefulness in questions about Dehn surgery. The power of this idea was first demonstrated by Litherland [11] and most notably used to great success in Gordon and Luecke's portion of the proof of the Cyclic Surgery Theorem [3] and their solution to the knot complement problem [8]. If one of the two intersecting surfaces becomes a Heegaard surface in some Dehn filling of the knot complement, the theory of thin position may be used to establish some nice properties of the resulting graphs of intersection. Gabai does this for the standard Heegaard splitting of S^3 [4], which Rieck promotes to Heegaard splittings in general [17]. See Gordon's survey [6]. We construct such graphs of intersection from a genus 1 Heegaard splitting of our lens space and a Seifert surface for our knot in Section 2.3.

2.1 A few words about notation

By $A - B$ we denote the usual set difference, the set of points in A that are not in B . If A and B are two intersecting manifolds then by $A \setminus B$ we denote A "cut along" B , the closure of $A - B$ in the path metric on A .

A regular open neighborhood of A is denoted $N(A)$. Its closure is denoted $\bar{N}(A)$.

2.2 Thin position in lens spaces

Let $h: X \rightarrow \mathbb{R} \cup \{\pm\infty\}$ be the height function induced by the genus one Heegaard splitting of the lens space $X = L(r, q)$ so that $\hat{T}_z = h^{-1}(z)$ is a torus for $z \in \mathbb{R}$ and $\hat{T}_{\pm\infty} = h^{-1}(\pm\infty)$ are circles. The tori \hat{T}_z , $z \in \mathbb{R}$, are *level tori*, and $\hat{T}_{\pm\infty}$ are the *circles at infinity*. Each level torus separates X into two solid torus components; the component X^+ *above* containing $\hat{T}_{+\infty}$ and the component X^- *below* containing $\hat{T}_{-\infty}$.

Let K be a knot in X . By an isotopy of K we may assume $K \subseteq X - \{\hat{T}_{\pm\infty}\}$ and that $h|_K$ is a Morse function so that $h|_K$ has finitely many critical points, all of which are nondegenerate and have distinct critical values.

Given such a Morse presentation of K , let $\hat{T}_{z_1}, \dots, \hat{T}_{z_n}$ be level tori so that exactly one is between each consecutive pair of critical levels. Define the *width* of the Morse presentation to be $\sum_{i=1}^n |\hat{T}_{z_i} \cap K|$. The *width of K* is the minimum of all widths of Morse presentations of K . A Morse presentation of K that realizes the width of K is said to be a *thin presentation of K* , and K itself is said to be in a *thin position*.

If the first critical value of $h|K$ above the level torus \hat{T}_{z_i} is a maximum and the first critical value below is a minimum, then \hat{T}_{z_i} is a *thick level (torus)*. Similarly, if the first critical value of $h|K$ above the level torus \hat{T}_{z_i} is a minimum and the first critical value below is a maximum, then \hat{T}_{z_i} is a *thin level (torus)*. Every Morse presentation of K must have a thick level torus, but not all Morse presentations of K have a thin level torus.

Over all Morse presentations of K that have no thin level tori, one that minimizes the width of K is said to be a *bridge presentation of K* , and K itself is said to be in a *bridge position*. If K is in bridge position and \hat{T}_0 is the thick level torus, then the *bridge number of K* is $\frac{1}{2}|K \cap \hat{T}_0|$. We say a knot with bridge number n is an *n -bridge knot*.

In the event that K may further be isotoped to lie as an embedded curve in a level torus, then either K is a trivial knot (and hence bounds a disk in X) or K is a *lens space torus knot*. For both of these cases we will say that K has width 0 and bridge number 0.

Let K be in Morse position, and let \hat{T} be a noncritical level torus. Suppose that \hat{T} contains an arc α with interior disjoint from K that together with an arc β of $K - \hat{T}$ bounds an embedded disk Δ with interior disjoint from K . If β lies above (resp. below) \hat{T} then we say that Δ is a *high (resp. low) disk* for \hat{T} or for the arc $K \cap \Delta$.

Lemma 2.1 *Assume K is not 0-bridge. If \hat{T} is a noncritical level torus in a thin presentation of K , then \hat{T} cannot have a high disk and a low disk whose boundaries have empty intersection in the complement of K .*

Proof This is standard in the theory of thin position (see eg [4] and [18]). Assume \hat{T} admits a high disk Δ^+ and a low disk Δ^- such that $\partial\Delta^+ \cap \partial\Delta^- - K = \emptyset$; see Figure 1(a). Let $\alpha^+ = \partial\Delta^+ \cap \hat{T}$ and $\alpha^- = \partial\Delta^- \cap \hat{T}$. Then $|\alpha^+ \cap \alpha^-| \leq 2$.

Use Δ^+ and Δ^- to isotope $\Delta^+ \cap K$ and $\Delta^- \cap K$ onto α^+ and α^- respectively. If $|\alpha^+ \cap \alpha^-| = 2$ then K is 0-bridge. If $|\alpha^+ \cap \alpha^-| \leq 1$ then a further slight isotopy of K will produce a Morse presentation of K with reduced width; see Figure 1(b). Both situations contradict our hypothesis. \square

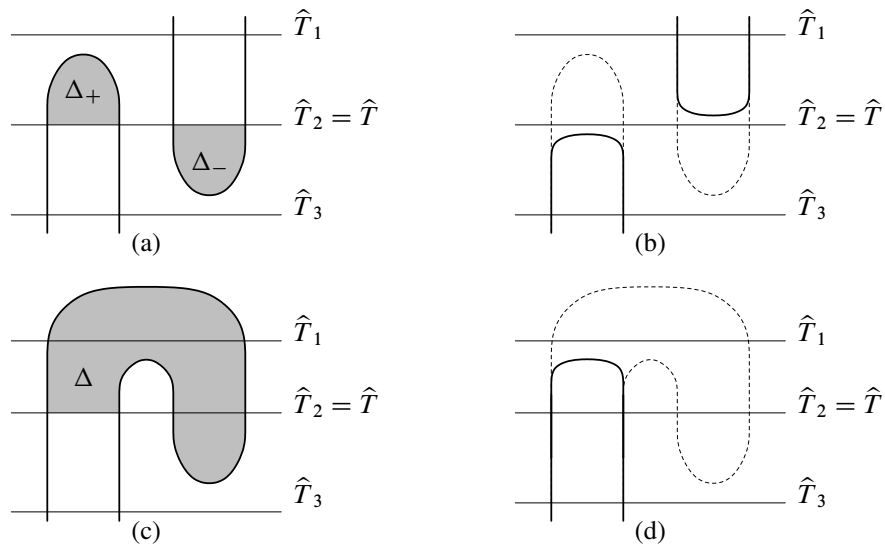


Figure 1: (a) A high disk Δ_+ and a low disk Δ_- (b) The result of a thinning isotopy associated to the disks Δ_+ and Δ_- (c) A long disk Δ (d) The result of a thinning isotopy associated to the long disk Δ

Let K be in Morse position, and let \hat{T} be a noncritical level torus. Suppose that \hat{T} contains an arc α with interior disjoint from K that together with an arc β of K bounds an embedded disk Δ with interior disjoint from K . If Δ is not a high or low disk (and hence the interior of β intersects \hat{T}) then we say that Δ is a *long disk* for \hat{T} or for the arc $K \cap \Delta$.

Lemma 2.2 *Assume K is not 0-bridge. If \hat{T} is a noncritical level torus in a thin presentation of K , then \hat{T} cannot have a long disk.*

Note that the existence of a long disk does not necessarily imply the existence of a pair of high and low disks satisfying the hypotheses of Lemma 2.1.

Proof Let $\mathbb{T} = \{\hat{T}_{z_1}, \dots, \hat{T}_{z_m}\}$ be a collection of level tori used to calculate the width of K .

Assume Δ is a long disk for \hat{T} ; see Figure 1(c). Furthermore, without loss of generality, assume $N(\alpha) \cap \Delta$ is above \hat{T} . We may use Δ to isotop the arc $\beta = \Delta \cap K$ onto $\alpha = \partial\Delta - \text{Int } \beta \subseteq \hat{T}$. Perform a slight isotopy of the interior of this arc upwards so that it has just one critical point, a maximum. We may then pull this critical point up to the height of the lowest critical point above \hat{T} of the former arc β ; see Figure 1(d). Hence K will again be in a Morse position.

Such an isotopy necessarily reduces the number of critical points of K . Moreover, all the critical points are at the heights of former critical points. Therefore there exists a proper subset of \mathbb{T} that forms a suitable collection of level tori with which to calculate the width of K after the isotopy. Furthermore, the isotopy does not increase $|\hat{T}_{z_i} \cap K|$ for any i . Therefore the isotopy decreases the width of K , contradicting that K is in thin position. \square

2.3 Graphs of intersection

Let K be a knot of genus g and order s in the lens space X of order r whose Seifert surfaces have just one boundary component. Let $S \subseteq X - N(K)$ be a Seifert surface for K of genus g . Note that S is incompressible and ∂ -incompressible in the exterior of K . Let \hat{S} be the surface S with its boundary (abstractly) capped off by a disk.

Assume that K is in thin position and that K is not 0-bridge. Let \hat{T} be a thick level for K with $|\hat{T} \cap K| = t$, and set $T = \hat{T} - N(K)$. By an isotopy of S we may assume that S and T intersect transversely and each component of ∂T intersects ∂S exactly s times. Gabai [4] shows that we may assume S has been isotoped so that each arc component of $S \cap T$ is essential in S and in T (cf Gordon's comment in [6] or [7, Proposition 2.1]). We may further assume that S has been chosen among all such Seifert surfaces for K to minimize the number of intersections with T .

Note that every closed component of $S \cap T$ is nontrivial in T . If a component γ of $S \cap T$ were trivial on T , then since S is incompressible it must also be trivial on S . Therefore a disk exchange would produce another Seifert surface for K that has fewer intersections with T .

The arc components of $S \cap T$ define fat vertexed graphs G_S and G_T in \hat{S} and \hat{T} respectively. The (fat) vertices, edges, and faces of these graphs are defined as follows. The fat vertex of G_S is the single disk $\hat{S} - \text{Int } S$. The fat vertices of G_T are the disks of intersection $\hat{T} \cap \bar{N}(K) = \hat{T} - \text{Int } T$. The edges of G_S are the arc components of $S \cap T$ as they lie on S , and the edges of G_T are the arc components of $S \cap T$ as they lie on T . The faces of G_S are the connected components of S cut along the edges of G_S , ie the path metric closure of the complement of the edges of G_S in S . Similarly, the faces of G_T are the connected components of T cut along the edges of G_T .

Observe that simple closed curves of $S \cap T$ are not recorded in the graphs G_S and G_T . For example, the interior of a face of G_S may intersect T . Therefore each component of $S \setminus T$ is contained in a face of G_S , though often a component of $S \setminus T$ actually is a face of G_S . To make the distinction from faces, we refer to the components of $S \setminus T$ and $T \setminus S$ as *regions*.

Orient K and sequentially label the intersections of $K \cap \widehat{T}$ from 1 to t . We may refer to the i -th intersection as K_i . This induces a numbering of the components of ∂T as $1, 2, \dots, t$ in the order in which they appear on $\partial \bar{N}(K)$, and hence numbers the vertices of G_T . Denote these vertices U_1, \dots, U_t . As there is only one vertex of G_S , we leave it unnumbered. Since \widehat{T} is separating and $|\partial S| = 1$, the parity rule implies that the edges of G_T connect vertices of opposite parity. An edge of G_T with end points on U_i and U_j is an arc of $S \cap T$ with endpoints on the intersection of ∂S with the i -th and j -th components of ∂T and hence it is also an edge of G_S with end points on the single vertex of G_S . On the boundary of the fat vertex of G_S we label the end points of this arc with i and j . Around the vertex of G_S , the labels $1, 2, \dots, t$ appear sequentially and repeat s times. Since each arc component of $S \cap T$ is essential in S and in T , neither graph G_S nor G_T contains a trivial loop.

Denote by \mathbf{t} the set of edge-endpoint labels $\{1, 2, \dots, t\}$ of G_S for which we have the associated \mathbf{t} -intervals $(1, 2), (2, 3), \dots, (t-1, t), (t, 1)$. We may index the arc of $K \cap \widehat{T}$ running from K_i to K_{i+1} by the \mathbf{t} -interval $(i, i+1)$ as $K_{(i, i+1)}$. Similarly $H_{(i, i+1)}$ denotes the 1-handle of $\bar{N}(K) \setminus \widehat{T}$ running from vertex U_i to vertex U_{i+1} . Concatenations of consecutive \mathbf{t} -intervals such as $(i-1, i+1)$ may be used to index longer arcs of K and longer 1-handles, eg $K_{(i-1, i+1)} = K_{(i-1, i)} \cup K_{(i, i+1)}$ and $H_{(i-1, i+1)} = H_{(i-1, i)} \cup H_{(i, i+1)}$.

For each label x in \mathbf{t} , the subgraph G_S^x of G_S is the graph in \widehat{S} consisting of the single vertex of G_S and every edge of G_S that has an endpoint labeled x . Due to the parity rule, each graph G_S^x has exactly s edges. The faces of G_S^x are the connected components of S cut along the edges of G_S^x .

If f is a face of G_S (resp. G_S^x for some $x \in \mathbf{t}$), then each component of ∂f consists of an alternating sequence of *edges* and *corners* where the edges are edges of G_S (resp. G_S^x) and the corners are identified with \mathbf{t} -intervals $(i, i+1)$ (resp. concatenated \mathbf{t} -intervals (i, j)) as they are arcs of ∂S between the labeled components i and $i+1$ (resp. i and j) of ∂T . The edges and corners of a region R of $S \setminus T$ contained in a face f of G_S are the edges and corners of f contained in R . If R is a proper subset of f , then may have edges and corners not contained in R and R may have a boundary component that is not comprised of edges and corners. We may similarly define the edges and corners of faces of G_T and regions of $T \setminus S$; here corners are arcs of ∂T between edges of G_S .

A disk face of a graph G_S , G_S^x , or G_T with n edges in its boundary is an n -gon. We commonly refer to a 2-gon as a *bigon*, a 3-gon as a *trigon*, a 4-gon as a *tetragon*, and a 5-gon as a *pentagon*. Given an n -gon f of G_S^x , if for every $y \in \mathbf{t}$ and every n -gon f' of G_S^y such that $f' \subseteq f \subseteq S$ implies $f' = f$, then f is an *innermost n -gon*.

To each edge of G_S with endpoints labeled i and j , we associate its *label pair* $\{i, j\}$. A *Scharlemann cycle of length n* (S_n cycle, for short) is a set of n edges of G_S each with label pair $\{i, i+1\}$ for some i in \mathbf{t} that bounds an n -gon of G_S (with corners all $(i, i+1)$). An *extended Scharlemann cycle of length n* is a set of n edges of G_S^x each with label pair $\{x, y\}$ for some x and y in \mathbf{t} that bounds an n -gon of G_S^x with corners all (x, y) or all (y, x) and contains a Scharlemann cycle of length n . Notice that the Scharlemann cycle of length n contained in the n -gon of an extended Scharlemann cycle of length n with label pair $\{x, y\}$ has label pair $\{(x+y-1)/2, (x+y+1)/2\}$ or $\{(x+y-1)/2+t/2, (x+y+1)/2+t/2\}$. If n is 2 or 3 we will often abbreviate these terms as (*extended*) S_2 cycle and (*extended*) S_3 cycle. By a *forked extended S_2 cycle* we mean a set of three edges of some G_S^x that bounds a trigon composed of a bigon B bounded by an (*extended*) S_2 cycle of either G_S^{x+1} or G_S^{x-1} together with a bigon and a trigon of G_S adjoined to the edges of B ; see Figure 16.

2.4 Outline of proof of Theorem 1.1

Proof Throughout the subsequent sections, unless noted otherwise, we assume that we have the following:

- a lens space X of order r ,
- a height function h on X ,
- a knot K of order s in thin position with respect to h ,
- a thick level \hat{T} splitting X into the two solid tori X^+ and X^- ,
- the surface S of genus $g \geq 1$ with $|\partial S| = 1$, \hat{S} , and T as defined above,
- the graphs G_S, G_S^x for all $x \in \mathbf{t}$, and G_T and
- $s \geq 4g - 1$.

Since $g \geq 1$ and $s \geq 4g - 1$, $s \geq 3$. Since $r \geq s$, $r \geq 3$ as well. For technical reasons, we defer the case $r = 3$ to Section 8 at the end. Accordingly, we will work under the assumption that $r \geq 4$ until then. The main body of work encompasses showing that $t \leq 6$.

In Section 3 we distill the hypothesis of our theorem into the existence of bigons and trigons in the graphs G_S^x for each $x \in \mathbf{t}$. We adapt some fundamental lemmas from Goda and Teragaito [5] which are then employed to understand what the bigons and trigons may look like.

In Section 4 we use the existence of bigons and trigons to construct annuli that weave back and forth through X^+ and X^- crossing \hat{T} . Arcs of K lie on these annuli. The

thinness of K then gives constraints on “how much” of K may lie on such an annulus. With these constraints, the bigons and trigons imply the existence of a second such annulus.

In Section 5, to have the requisite bigons and trigons, we reckon with two disjoint annuli containing most of the knot K . The techniques of Section 4 are then re-employed to obtain contradictions to the thinness of K . In Theorem 5.9 we conclude that for $r \geq 4$, we have $t \leq 6$.

In Section 6 we fix K with $t = 6$ and isotop the interior of S to gain a better grasp on the faces of G_S . Then we use Euler characteristic estimates and further thin position arguments to refine our understanding of the faces of G_S . From this Proposition 6.20 concludes $t \neq 6$ and hence $t \leq 4$.

In Section 7 we consider multiple thick levels for K in thin position. Using the result that K may intersect a thick level at most 4 times, we promote the thin position of K to a bridge position. Once again using the existence of bigons and trigons, we find a thinning isotopy of K . Thus we conclude in Theorem 7.3 that for $r \geq 4$, we have $t = 2$. Lemma 7.4 quickly shows that K is at most 1-bridge.

Finally, in Section 8 we treat the case that $r = 3$ in which case $s = 3$ and $g = 1$. Theorem 8.2 concludes that K is at most 1-bridge. \square

3 Bigons and trigons

Our proof of Theorem 1.1 is set in motion by the following lemma.

Lemma 3.1 *For each $x \in \mathfrak{t}$, G_S^x must have a bigon or trigon face.*

Proof Recall that G_S^x has s edges and we are assuming $s \geq 4g - 1$.

$$\begin{aligned} \chi(S) &= 1 - 2g = -s + \sum_{\text{disk faces of } G_S^x} \chi(\text{disk}) + \sum_{\text{nondisk faces of } G_S^x} \chi(\text{nondisk}) \\ &\leq -s + \#(\text{disk faces}) \end{aligned}$$

Assume G_S^x has no bigons or trigons. So each disk face has at least four edges. Thus

$$s \geq \frac{1}{2} \cdot 4 \cdot \#(\text{disk faces}).$$

Hence $1 - 2g \leq -s + \#(\text{disk faces}) \leq -s + \frac{1}{2}s$,

and so $s/2 \leq 2g - 1$ or $s \leq 4g - 2$, a contradiction. \square

We thus study how bigons and trigons of G_S^x for each $x \in \mathbf{t}$ arise within G_S . Often a bigon or trigon of one graph G_S^x will contain a bigon or trigon of another graph G_S^y . We say a face f of G_S^x *accounts for the label* y if f contains a bigon or trigon of G_S^y .

3.1 Fundamental lemmas about G_S

We adapt and build on some useful lemmas about order 2 and order 3 Scharlemann cycles and the faces of G_S they bound from the work of Goda and Teragaito in [5]. They work with the case that $s = r$, but our generalization of this presents no problem here. The main difficulty to overcome in our work that is not present in [5] is the potential presence of simple closed curves $\gamma \in S \cap T$ that are essential in T and yet trivial in both \hat{T} and S . Goda and Teragaito avoid such occurrences by choosing \hat{T} among all Heegaard tori. In our situation, we require \hat{T} to be a level Heegaard torus. Nevertheless Lemma 3.1 will permit us to conclude in Lemma 3.20 that no such curve γ exists.

We begin with some lemmas about how edges of Scharlemann cycles and extended Scharlemann cycles may lie on \hat{T} .

Let σ be a set of edges of G_S . Let Γ be the subgraph of G_T consisting of the edges of σ and the vertices of G_T to which the edges are incident. If Γ is contained in a disk in \hat{T} , then we say the edges of σ *lie in a disk* in \hat{T} . If Γ is contained in an annulus in \hat{T} but do not lie in a disk, then we say the edges of σ *lie in an essential annulus* in \hat{T} .

Let f be a face of G_S or G_S^x , and let σ be the edges of ∂f . Let Q be a two-sided surface in X with product neighborhood $Q \times [-\epsilon, \epsilon]$ for small $\epsilon > 0$ so that Q is identified with $Q \times \{0\}$. If $\partial f \cap Q = \sigma$ and $N(\sigma) \cap f$ is contained in either $Q \times [0, \epsilon]$ or $Q \times [-\epsilon, 0]$ then we say f *lies on one side of* Q even if $\text{Int } f$ does not.

Lemma 3.2 (cf [5, Lemma 2.3]) *Let σ be a Scharlemann cycle in G_S of length p with label pair $\{x, x+1\}$ and let f be the face of G_S bounded by σ . Suppose that $p \neq r$. Then f cannot lie on one side of a disk. In particular, the edges of σ cannot lie in a disk in \hat{T} .*

Proof Assume the edges of σ lie in a disk D and f lies on one side of D . (If the edges of σ lie in disk in \hat{T} , then necessarily f lies to one side of that disk.) If $\text{Int } f \cap D \neq \emptyset$ then by choosing D smaller, we may assume $\text{Int } f \cap D$ is a collection of simple closed curves. Let $\xi \in \text{Int } f \cap D$ be an innermost simple closed curve on f . Alter D by a disk exchange with the disk on f that ξ bounds. In this manner we may produce a disk $D' \subseteq X$ of which f lies to one side (containing the vertices U_x and

U_{x+1} and the edges of σ) such that $\text{Int } f \cap D' = \emptyset$. Then $N(D' \cup H_{(x, x+1)} \cup f)$ is a punctured lens space of order p . Since a lens space is irreducible, X is a lens space of order p . This is contrary to the assumption that $p \neq r$. \square

Lemma 3.3 (cf [5, Lemma 2.1]) *Let σ be an Sp cycle of G_S , $p = 2$ or 3 , with label pair $\{x, x+1\}$. Let f be the face of G_S bounded by σ . Then the edges of σ lie in an essential annulus A in \hat{T} . Furthermore, the core of A does not bound a disk in X . Indeed, the core of A runs p times in the longitudinal direction of the solid torus on the side of \hat{T} to which f lies.*

Proof Because we are assuming $r \geq 4$, Lemma 3.2 implies the edges of σ do not lie in a disk in \hat{T} . The proof of Lemma 2.1 of [5] then applies to show σ must lie in an essential annulus A on \hat{T} .

Let $W = X^+$ or X^- be the solid torus on the side of \hat{T} in which f lies. If the core of A bounds a disk in X , then it must bound a meridional disk of a solid torus on one side of \hat{T} . By Lemma 3.2, the core of A cannot bound a disk in the solid torus $X \setminus W$. As we will show, the core of A cannot bound a disk in W since it runs p times in the longitudinal direction of W .

If $\text{Int } f \cap \hat{T} = \emptyset$, then the remainder of this proof follows from Lemma 2.1 of [5]. Because the core of A runs p times in the longitudinal direction of the solid torus $M = \bar{N}(A \cup H_{(x, x+1)} \cup f) \subseteq W$, the space $W \setminus M$ must be a solid torus whose meridional disk crosses $\partial M \setminus A$ once. Thus the core of A must also run p times in the longitudinal direction on W .

If $\text{Int } f \cap \hat{T} \neq \emptyset$, then by choosing A smaller we may assume that $\text{Int } f \cap \partial A = \emptyset$. Let $\xi \subseteq \text{Int } f \cap \hat{T}$ be an innermost simple closed curve on f . Alter \hat{T} and A by a disk exchange with the disk on f that ξ bounds. (Note that ξ might be essential in T and yet contained in A .) Continuing in this manner we may produce a Heegaard torus \hat{T}' (isotopic to \hat{T} in X) and an essential annulus A' on \hat{T}' such that σ lies in the essential annulus A' , f lies on the same sides of \hat{T}' and \hat{T} , and $\text{Int } f \cap \hat{T}' = \emptyset$. Let W' be the solid torus on the side of \hat{T}' containing f . As in [5], $M = \bar{N}(A' \cup H_{(x, x+1)} \cup f)$ is a solid torus such that A' runs p times in the longitudinal direction of M . Thus the core of A' and each component of $\partial A'$ runs p times in the longitudinal direction of W' . Since $\partial A' = \partial A$ and W' is isotopic to W , it follows that the core of A runs p times in the longitudinal direction of W . \square

Lemma 3.4 *Let σ' be an extended Sp cycle for $p = 2$ or 3 . Assume σ is the Sp cycle contained in the face of S bounded by σ' . Then the edges of σ and σ' each lie in essential annuli A and A' respectively in \hat{T} so that $A \cap A' = \emptyset$.*

Proof Assume σ has label pair $\{x, x+1\}$. Then σ' has label pair $\{x-n, x+1+n\}$ (taken mod t) for some positive integer n . We proceed by induction.

By Lemma 3.3, the edges of σ lie in an essential annulus $A = A_0$ in \widehat{T} .

Let σ_{i-1} be the extended Sp cycle with label pair $\{x - (i - 1), x + 1 + (i - 1)\}$ contained in the extended Sp cycle σ_i with label pair $\{x - i, x + 1 + i\}$. Assume the edges of σ_{i-1} lie in an essential annulus A_{i-1} in \widehat{T} . There are p bigons of G_S whose edges give a one to one correspondence between the edges of σ_{i-1} and the edges of σ_i . Each bigon has the two corners $(x - i, x - i + 1)$ and $(x + i, x + i + 1)$.

Of these bigons, take two whose edges in σ_{i-1} lie in the essential annulus A_{i-1} (and not in a disk). Extend their corners radially into $H_{(x-i, x-i+1)}$ and $H_{(x+i, x+i+1)}$, and join them together to form an annulus B with $\partial B \subseteq \widehat{T}$. Since one component of ∂B is an essential curve contained in A_{i-1} , the other is either parallel on \widehat{T} to the core of A_{i-1} or bounds a disk on \widehat{T} .

If one component of ∂B bounds a disk D on \widehat{T} , then the other component bounds the disk $D \cup B$. Since this other component is parallel to the core of A_{i-1} and hence to the core of A , the core of A bounds a disk in X contrary to Lemma 3.3.

Thus the component of ∂B not in A_{i-1} is an essential curve on \widehat{T} parallel to the core of A . Hence the edges of σ_i lie in an essential annulus A_i in \widehat{T} and $A_{i-1} \cap A_i = \emptyset$.

When $i = n$ we obtain that the edges of σ' lie in the annulus $A_n = A'$. Furthermore, since the label pairs of σ_i and σ_j for $0 \leq i < j \leq n$ are distinct, $A_i \cap A_j = \emptyset$. \square

Lemma 3.5 *If σ_1 and σ_2 are two S^2 cycles with the same label pairs then the edges of $\sigma_1 \cup \sigma_2$ lie in an essential annulus. Furthermore, within the annulus, the edges of σ_1 separate the edges of σ_2 .*

This lemma implies that each edge of σ_1 bounds a bigon on \widehat{T} with an edge of σ_2 .

Proof Assume the edges of $\sigma_1 \cup \sigma_2$ do not lie in an essential annulus. Nevertheless, by Lemma 3.2 the edges σ_i lie in an essential annulus A_i for each $i = 1, 2$. Let f be the bigon of G_S bounded by σ_1 . Let g be the bigon of G_S bounded by σ_2 . Let $\{x, x+1\}$ be the label pair of σ_1 and σ_2 . Note that the corners of f and g are all on $H_{(x, x+1)}$.

If $\text{Int}(f \cup g) \cap \widehat{T} \neq \emptyset$, then alter \widehat{T} by disk exchanges to obtain the Heegaard torus \widehat{T}' so that $\text{Int}(f \cup g) \cap \widehat{T}' = \emptyset$ while $\partial(f \cup g) \cap \widehat{T}' = \partial(f \cup g) \cap \widehat{T}$. Similarly, we obtain the essential annuli A'_i on \widehat{T}' in which the edges of σ_i lie. Let V be the solid torus on the same side of \widehat{T}' as f and g .

Consider the solid torus $V_f = V \setminus (f \cup H_{(x, x+1)})$. Note that the core of the annulus $\widehat{T}' \setminus A'_1$ is a longitudinal curve on ∂V_f . Since σ_2 does not lie in A'_1 , σ_2 must have an edge that is not parallel to an edge of σ_1 . Thus both corners of g lie on the same rectangle of $\partial H_{(x, x+1)} \setminus (U_x \cup U_{x+1} \cup f)$ which is contained in ∂V_f . Hence the other edge of σ_2 is not parallel to an edge of σ_1 . Then the simple closed curve ∂g on ∂V_f must intersect the core of $\widehat{T}' \setminus A'_1$ twice. Therefore ∂g cannot be nullhomologous in $H_1(V_f)$ contradicting that it bounds a disk in V_f .

Since the corners of g cannot be on the same rectangle of $\partial H_{(x, x+1)} \cap \partial V_f$, the edges of g must be incident to U_x and U_{x+1} on opposite sides of the edges of σ_1 . Since the edges of σ_1 and σ_2 lie in an essential annulus, the edges of σ_1 separate the edges of σ_2 within this annulus. □

Lemma 3.6 (cf [5, Lemma 2.4]) *Let σ_1 and σ_2 be S2 or S3 cycles of G_S with disjoint label pairs, and let f_1 and f_2 be the faces of G_S bounded by σ_1 and σ_2 respectively. Then the faces f_1 and f_2 lie on opposite sides of \widehat{T} .*

Proof By Lemma 3.4, the edges of σ_i lie in an annulus A_i for $i = 1, 2$. Since the label pairs of σ_1 and σ_2 are disjoint, $A_1 \cap A_2 = \emptyset$.

We may assume A_1 and A_2 have been chosen so that $(A_1 \cup A_2) \cap (\text{Int } f_1 \cup \text{Int } f_2)$ is only a collection of simple closed curves. By the minimality assumption on $|S \cap T|$ and Lemma 3.3, $\widehat{T} \cap (\text{Int } f_1 \cup \text{Int } f_2)$ may contain only simple closed curves that are essential on T and yet trivial on \widehat{T} . Let $\xi \in \widehat{T} \cap (\text{Int } f_1 \cup \text{Int } f_2)$ be an innermost simple closed curve on $f_1 \cup f_2$. Alter \widehat{T} (and both A_1 and A_2) by a disk exchange with the disk on $f_1 \cup f_2$ bounded by ξ . In this manner we may produce a Heegaard torus \widehat{T}' (isotopic to \widehat{T} in X) with annuli A'_1 and A'_2 such that $\sigma_i \subseteq A'_i$ for $i = 1, 2$, f_i lies on the same side of \widehat{T}' as \widehat{T} for $i = 1, 2$, and $\widehat{T}' \cap (\text{Int } f_1 \cup \text{Int } f_2) = \emptyset$.

Let $\{x_i, x_i+1\}$ be the label pair of σ_i . Construct the solid torus

$$V_i = \bar{N}(A'_i \cup H_{(x_i, x_i+1)} \cup f_i).$$

The meridian of V_i intersects the core of the annulus A_i algebraically 2 or 3 times depending on the order of the cycle σ_i . If f_1 and f_2 lie on the same side of \widehat{T} , then f_1 and f_2 lie on the same side of \widehat{T}' . Then the solid tori V_1 and V_2 are both contained in a single solid torus on the same side of \widehat{T}' . Let A_3 be an annulus of $\widehat{T}' \setminus (A'_1 \cup A'_2)$. The manifold $V_3 = V_1 \cup \bar{N}(A_3) \cup V_2$ has toroidal boundary which intersects \widehat{T}' in the annulus $A'_1 \cup A'_2 \cup A_3$. Thus V_3 must be a solid torus. Due to neither meridian of V_1 or V_2 intersecting a component of ∂A_3 algebraically once, V_3 cannot be a solid torus. Therefore f_1 and f_2 cannot lie on the same side of \widehat{T} . □

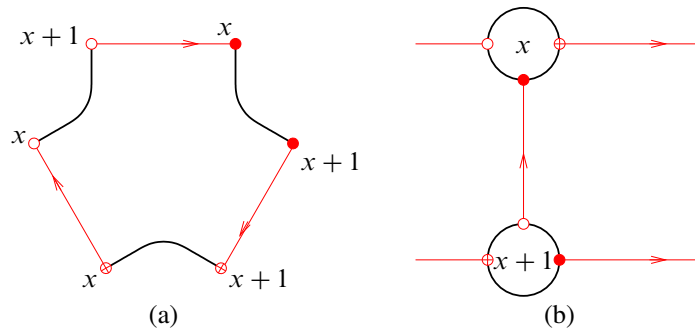


Figure 2: (a) The trigon F (b) The edges of F on \hat{T}'

Lemma 3.7 *Let F be a trigon with corners $(x, x+1)$ and edges as in Figure 2(a) such that its edges lie in an essential annulus A on \hat{T} as in Figure 2(b). Let V be the solid torus on the same side of \hat{T} as F . Then the core of A is a meridional curve for V .*

Proof Note that F itself is not a face of G_S or any of its subgraphs since it has edges with both endpoints on the same vertex. Nevertheless we will continue to use the language of edges and corners when talking about F .

Consider $M = \bar{N}(A \cup H_{(x, x+1)} \cup F)$ formed by attaching the 2–handle $\bar{N}(F)$ to the genus 2 handlebody $\bar{N}(A \cup H_{(x, x+1)})$. Let D_z be a meridional disk of $\bar{N}(A)$ whose boundary intersects the edges of F only twice and misses the vertices. Let D_H be the cocore of the 1–handle $H_{(x, x+1)}$. The fundamental group of $\bar{N}(A \cup H_{(x, x+1)})$ is then generated by curves ζ and η dual to D_z and D_H respectively. Thus we have the presentation

$$\begin{aligned} \pi_1(M) &= \langle \zeta, \eta \mid \eta \zeta \eta^{-1} \zeta \eta = 1 \rangle \\ &= \langle \zeta, \eta \mid (\zeta \eta^2)^2 = \eta^3 \rangle \\ &= \langle a, b \mid a^2 = b^3 \rangle \end{aligned}$$

which is the trefoil group. Therefore $\pi_1(M)$ is not \mathbb{Z} , and M is not a solid torus.

We may consider M as contained in V such that $\partial M \cap \partial V = A$. Then $A' = \partial M \setminus A$ is properly embedded annulus in V . Assume the core of A is not a meridional curve for V . Then the components of $\partial A' = \partial A$ are not meridional curves for V . Thus the two components of $V \setminus A'$ must be solid tori. This is contrary to M not being a solid torus. \square

3.2 Bigons

Lemma 3.8 *If $\sigma = \{e', e''\} \subseteq G_S^x$ bounds a bigon f of G_S^x , then σ is either an $S2$ cycle or an extended $S2$ cycle.*

Proof The edges of G_S on f must be mutually parallel. By relabeling if necessary, we may assume $x = 1$ and the edges of G_S on f are $\{e' = e_1, e_2, \dots, e_n = e''\}$ labeled successively so that, along a chosen corner of f , e_i has label i taken mod t . We claim that $n \leq t$.

If $n > t + 1$, then the edge e_{t+1} is contained in G_S^1 and yet is not on the boundary of f . This contradicts that f is a bigon of G_S^1 .

If $n = t + 1$, then the label 1 for the endpoints of each e' and e'' occur on the same corner of f . Since there are $t + 1$ edges, the label 1 must occur for the end point of some edge e_i on the other corner of f . Hence there is an edge of G_S^1 contained in the interior of f contradicting that f is a bigon of G_S^1 .

Since $1 < n \leq t$, σ has label pair $\{1, n\}$. The label 1 of the edges e' and e'' occur on opposite corners of f . If $n = 2$, then σ is an $S2$ cycle. If $n > 2$, then σ is an extended $S2$ cycle. \square

3.3 Trigons

The structure of trigons of G_S^x takes a bit more work to determine. We will first classify innermost trigons of G_S^x and then determine how trigons of another graph G_S^y may contain them. By relabeling, we may assume a given innermost trigon is a trigon of G_S^1 .

If f is a trigon of G_S^1 , then G_S on f appears as one of the four types shown in Figure 3. The label 1 appears only where shown since otherwise f would not be a face of G_S^1 . Types I' and II' may be obtained from types I and II respectively by suitable changes of orientations and labeling. Therefore we may further assume an innermost trigon is a trigon of G_S^1 of type I or type II.

Proposition 3.9 *An innermost trigon of G_S^1 is bounded by either an $S3$ cycle or a forked extended $S2$ cycle.*

Proof To highlight the overall structure of this proof we relegate two of the subcases to Lemma 3.10 and Lemma 3.11.

Let f be an innermost trigon of G_S^1 . Note that we are not concerned with whether or not $f \cap T$ contains any circle components.

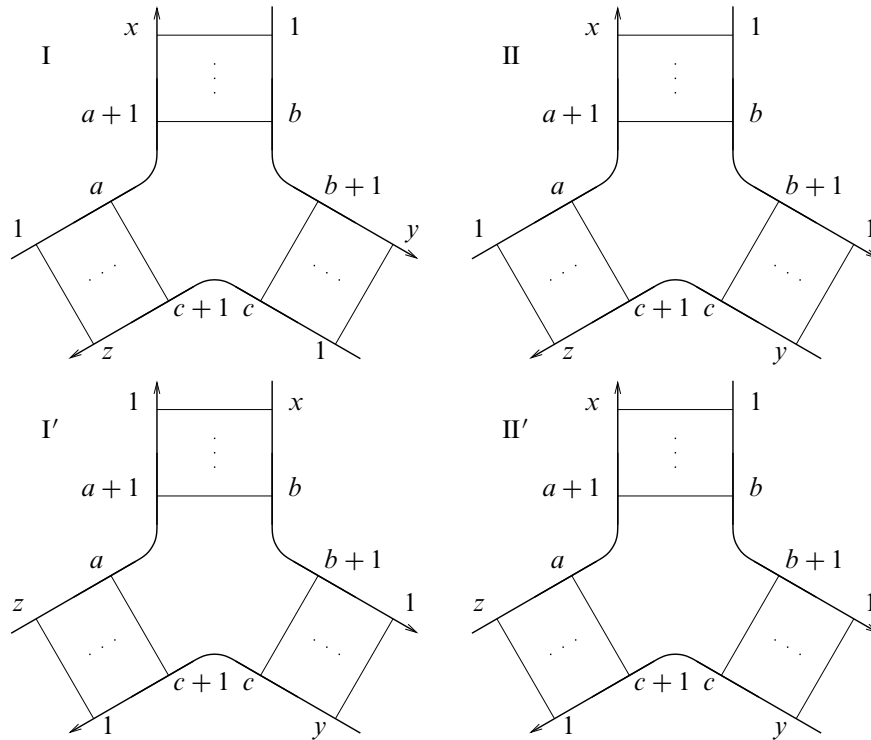


Figure 3: The four possible types of trigons

Case I The trigon f is of type I.

To be innermost, we must have a , b , or c be 1. Otherwise there would be a trigon of G_S^2 contained in f . Say $c = 1$. The trigon appears as in Figure 4.

Since f is a face of G_S^1 , we have $a + b \leq t$. Notice that a and b are both odd. One may readily check that both the cases $b = c = 1 \neq a$ and $a = b = c = 1$ are innermost trigons corresponding to a forked extended S_2 cycle and an S_3 cycle respectively. Thus assume $a \neq 1 \neq b$.

Subcase $a < b$ This is ruled out by Lemma 3.10.

Subcase $a = b$ In this situation there is a trigon of G_S^{a+1} within f contradicting that f is innermost.

Subcase $a > b$ This is ruled out by Lemma 3.11.

Case II The trigon f is of type II.

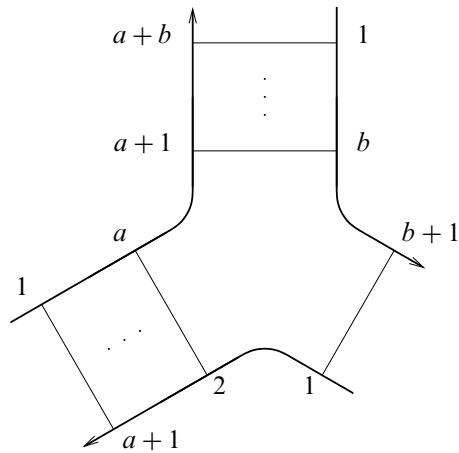


Figure 4: The trigon of type I with $c = 1$

For f to be a face of G_S^1 , we must have $c + b > t$, $c + a \leq t$, and $a + b \leq t$. These conditions imply $a < b$ and $a < c$. The trigon appears as in Figure 5. We have three main cases.

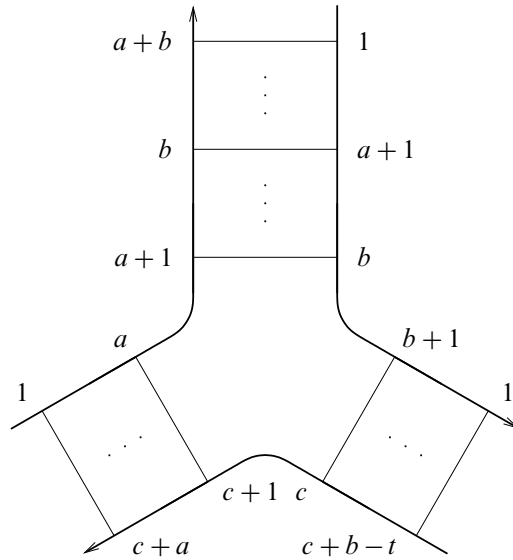


Figure 5: The trigon of type II

Subcase $c > b$ With some relabeling, part of the trigon appears as in Case I, $a < b$. This gives a contradiction to Lemma 3.10.

Subcase $c = b$ In this situation there is a trigon of G_S^{b+1} inside f .

Subcase $c < b$ Here, $a < c < b$. With some relabeling, the arguments of Case I, $a > b$ apply.

Thus there are no innermost trigons of type II.

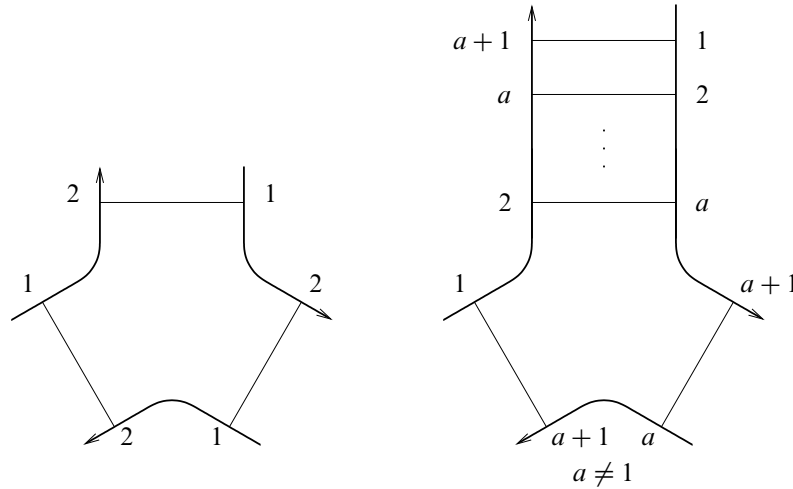


Figure 6: The two forms of innermost trigons of G_S^1

Hence, up to relabeling and changes in orientation, any innermost trigon of G_S^1 appears as in Figure 6. Such trigons are bounded by either an $S3$ cycle or a forked extended $S2$ cycle. \square

Remark 3.1 Note that with Proposition 3.9 in hand, it follows from the definitions of $S3$ cycles and forked extended $S2$ cycles that all innermost trigons have one or two sets of label pairs for their edges. None have three distinct label pairs.

Lemma 3.10 *There cannot exist an innermost trigon of G_S^1 of type I with $c = 1$ and $a < b$.*

Proof Assume a trigon f of G_S^1 of type I with $c = 1$ and $a < b$ does exist.

On f , G_S has a bigon \textcircled{A} with edges e_1 and e_2 having label pairs $\{2, a\}$ and $\{1, a+1\}$ respectively and corners $(1, 2)$ and $(a, a+1)$, another bigon \textcircled{B} with edges e_3 and e_4 having label pairs $\{a, b+1\}$ and $\{a+1, b\}$ respectively and corners $(a, a+1)$ and $(b, b+1)$, and a trigon \textcircled{C} with edges e_5 , e_6 , and e_7 having label pairs $\{1, b+1\}$,

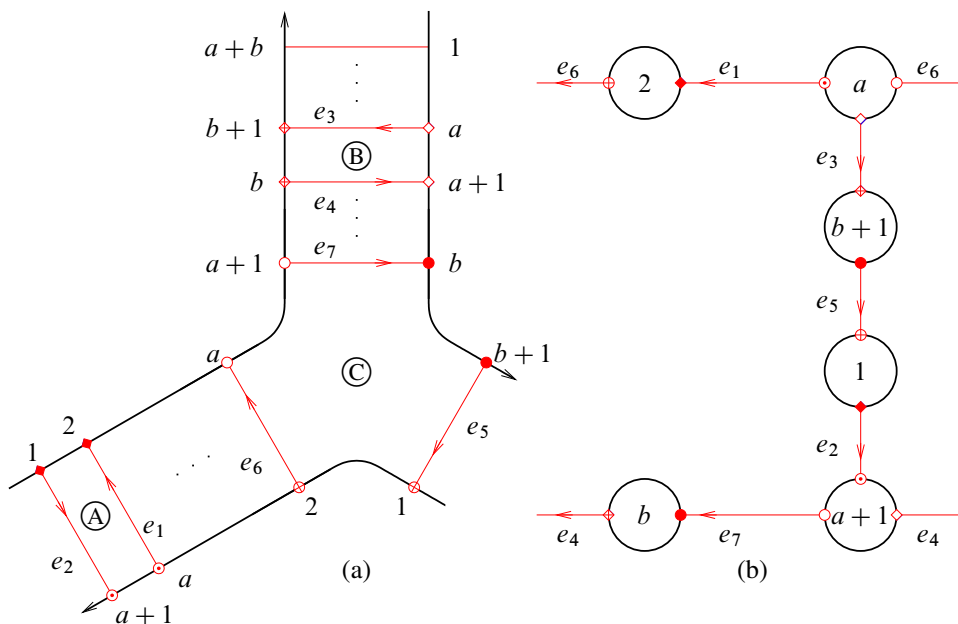


Figure 7: (a) The trigon of type I with $c = 1$ and $a < b$ (b) The seven edges on \hat{T}

$\{2, a\}$, and $\{a+1, b\}$ respectively and corners $(1, 2)$, $(a, a+1)$, $(b, b+1)$. See Figure 7(a). Note that \textcircled{A} , \textcircled{B} , and \textcircled{C} all lie on the same side of \hat{T} .

There are two extended S^2 cycles contained in f : $\sigma_1 = \{e_1, e_6\}$ with label pair $\{2, a\}$ and $\sigma_2 = \{e_3, e_7\}$ with label pair $\{a+1, b\}$.

Since σ_1 is an extended S^2 cycle, by Lemma 3.4 the edges e_1 and e_6 lie in an essential annulus A_1 . Similarly, since σ_2 is an extended S^2 cycle, the edges e_3 and e_7 lie in an essential annulus A_2 . The three edges e_2, e_3 , and e_5 connect the vertices U_a and U_{a+1} (via the vertices U_1 and U_{b+1}) and thus lie in an annulus of \hat{T} between the cores of A_1 and A_2 . These seven edges must lie on \hat{T} as in Figure 7(b).

Choose rectangles $\rho_{(1,2)}$ and $\rho_{(b,b+1)}$ on $H_{(1,2)}$ and $H_{(b,b+1)}$ respectively that connect the edges of the bigons and trigon on them. Form a larger trigon F by connecting the two bigons \textcircled{A} and \textcircled{B} to the trigon \textcircled{C} with the rectangles $\rho_{(1,2)}$ and $\rho_{(b,b+1)}$. Let $\partial_1 F$ be the edge of F with label pair $\{a, a\}$, $\partial_2 F$ be the edge with label pair $\{a+1, a+1\}$, an $\partial_3 F$ be the edge with label pair $\{a, a+1\}$. Note that $\partial_1 F$ and $\partial_2 F$ each lie in an essential annulus. See Figure 8(a) for the labeling of ∂F and Figure 8(b) for the placement of ∂F on \hat{T} .

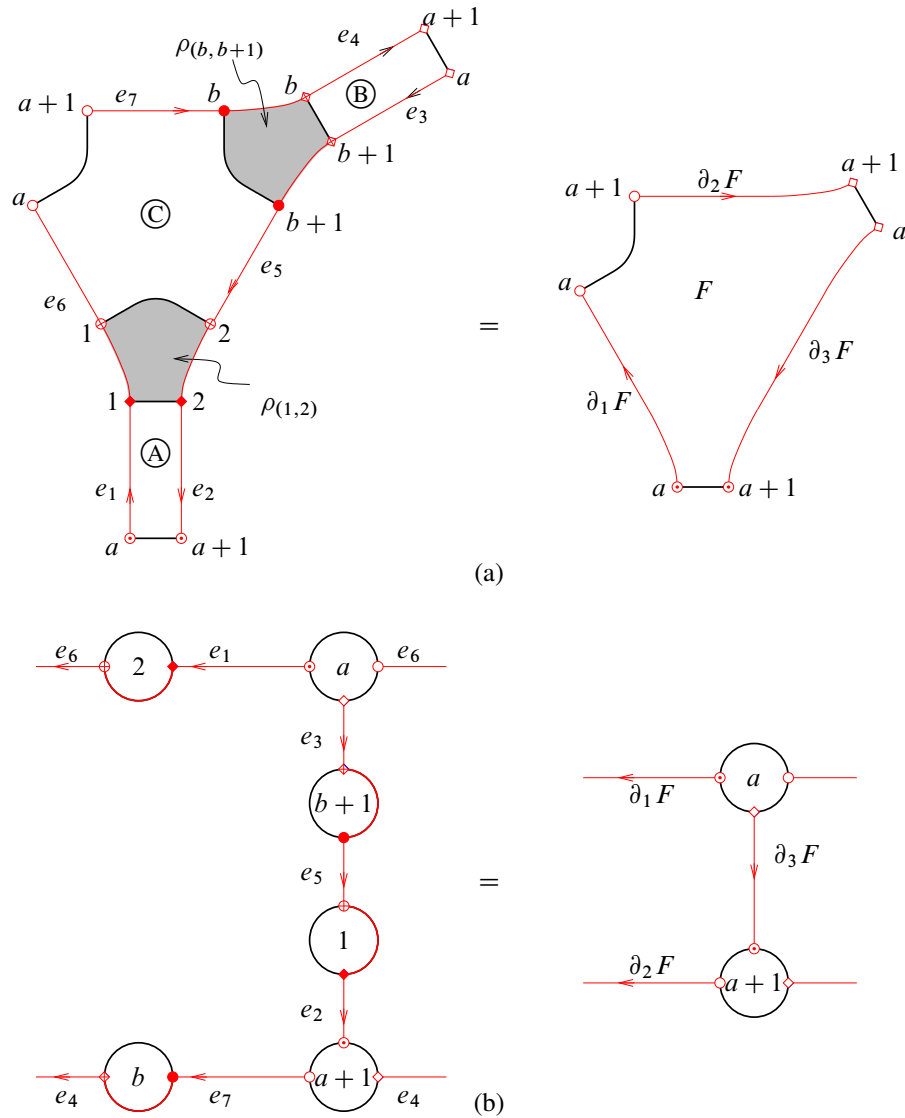


Figure 8: (a) The trigon F (b) ∂F on \hat{T}

Lemma 3.7 implies that the core of the annulus in which the edges of F lie bounds a meridional disk of the solid torus on the same side of \hat{T} as F . Hence the cores of A_1 and A_2 each bound meridional disks. Let σ'_i be the S^2 cycle of G_S in the face of G_S bounded by σ_i for $i = 1, 2$. By Lemma 3.4, the core of the annuli in which the edges of σ'_i bound meridional disks for $i = 1, 2$. This contradicts Lemma 3.3. \square

Lemma 3.11 *There cannot exist a trigon of G_S^1 of type I with $c = 1$ and $a > b$.*

Proof The lower left branch of Figure 4 appears now (rotated upwards) as in Figure 9.

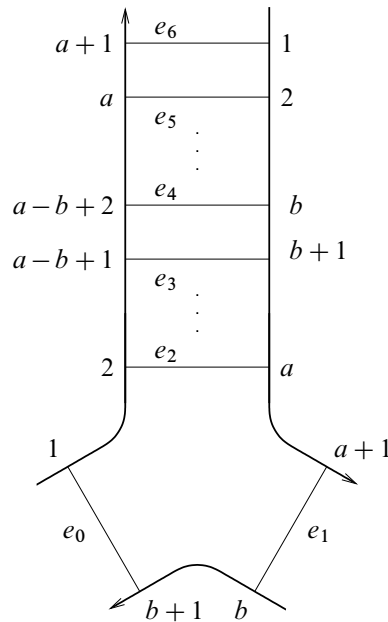


Figure 9: Part of the trigon of type I with $c = 1$ and $a > b$

Also, since there is an extended S_2 cycle with label pair $\{2, a\}$ contained in f , by Lemma 3.4 the two edges with label pair $\{2 + i, a - i\}$ for each $0 \leq i \leq (a + 1)/2$ lie in disjoint essential annuli. The S_2 cycle has label pair $\{(a + 1)/2, (a + 3)/2\}$.

If $a - b + 1 = b$ so that the S_2 cycle has label pair $\{b, b + 1\}$ then we may view the edges e_0, e_1, \dots, e_5 on T as in Figure 10. The endpoints labeled $b + 1$ of edges e_4, e_0 , and e_3 are immediately preceded by the endpoints labeled b of edges e_3, e_1 , and e_4 respectively. Due to orientations, given that the edges e_4, e_0 , and e_3 appear in that order clockwise around the vertex U_{b+1} , the edges e_3, e_1 , and e_4 must appear in the order counterclockwise around the vertex U_b as shown. Hence the edges e_0 and e_1 must emanate from opposite sides of the annulus in which the edges e_3 and e_4 lie. This however leaves no possible position for e_6 .

If the S_2 cycle does not have label pair $\{b, b + 1\}$, then let e'_3 and e'_4 be the other edges on f that have the same labels as e_3 and e_4 respectively. Since each of $\{e_3, e'_3\}$ and $\{e_4, e'_4\}$ are extended S_2 cycles, they each lie in an essential annulus.

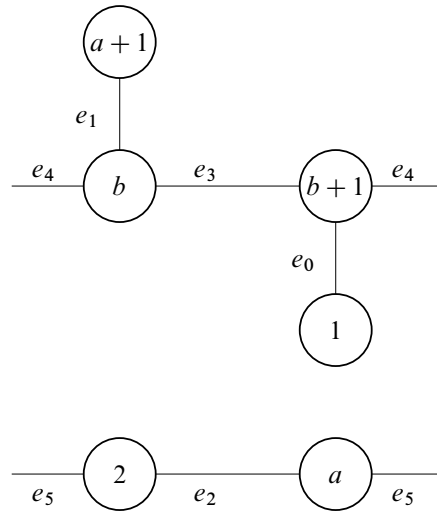


Figure 10: Edges of the trigon of type I with $c = 1$ and $a = 2b - 1$ on T

Furthermore each pair of edges $\{e_3, e_4\}$ and $\{e'_3, e'_4\}$ bounds a bigon B and B' respectively on G_S . We may thus form an “annulus”

$$A = B \cup H_{(b, b+1)} \cup B' \cup H_{(a-b+1, a-b+2)}.$$

Then the positions of the edges e_3 and e'_3 in G_T dictate the placement of the edges e_4 and e'_4 . If e_3 and e'_3 are swapped, then e_4 and e'_4 must also be swapped. Otherwise A would be a properly embedded nonseparating annulus in one of the Heegaard solid tori which cannot occur. We may thus view the edges $e_0, e_1, e_3, e'_3, e_4, e'_4$ and e_6 on T as in Figure 11.

Since the edges e_2 and e_5 also form an extended S^2 cycle, they lie in an essential annulus disjoint from the previous edges. These two edges appear either as shown in Figure 11 or perhaps swapped with one another (depending on whether e_3 or e'_3 is closer to e_2 on f).

Observe that the annulus A separates the vertices U_1 and U_2 on \hat{T} . Since 1 and b are both odd, $H_{(1,2)}$ lies on the same side of \hat{T} as A . Though the interiors of B and B' may intersect \hat{T} in simple closed curves, $H_{(1,2)}$ must intersect A . This cannot occur. □

Lemma 3.12 *If an innermost trigon g of G_S^1 is bounded by a forked extended S^2 cycle with edges as in Figure 12(a), then the edges e_1, \dots, e_5 appear on G_T as in Figure 12(b) (up to symmetries).*

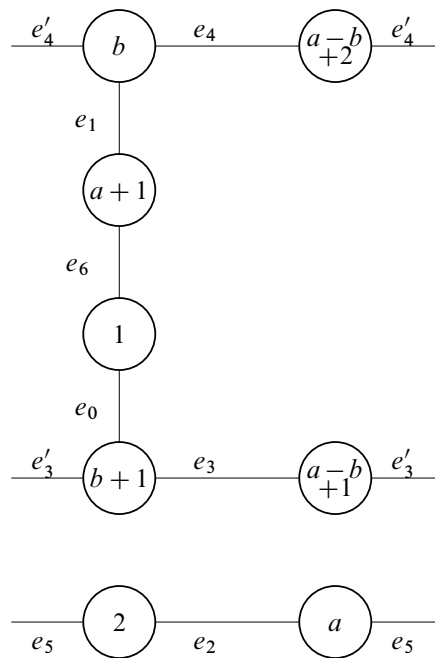


Figure 11: Edges of the trigon of type I with $c = 1$, $a > b$, and $a \neq 2b - 1$ on T

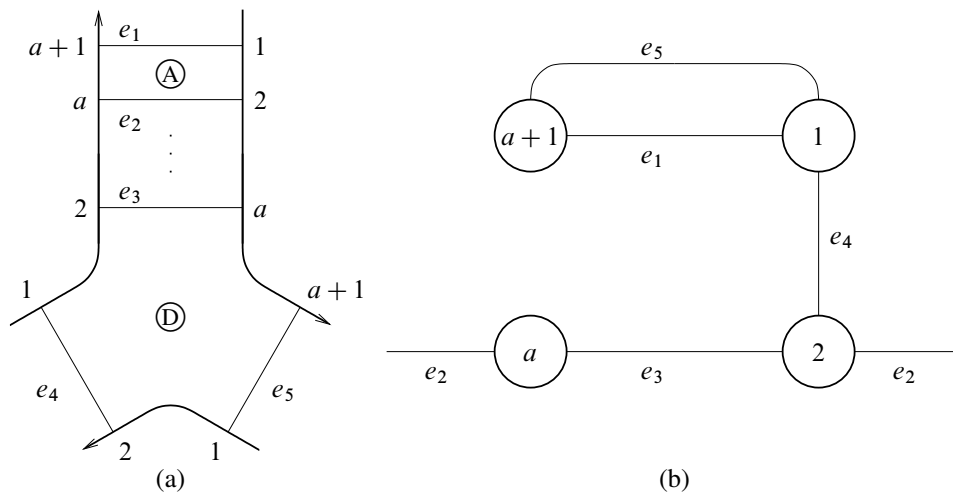


Figure 12: (a) A trigon bounded by a forked extended S_2 cycle of G_S^1 (b) Edges of G_S on a trigon bounded by a forked extended S_2 cycle of G_S^1 as they lie on G_T

Proof To prove, we examine the possible configurations of these five edges on G_T and see what the bigon \textcircled{A} and the trigon \textcircled{D} bounded by them on g imply.

The edges e_2 and e_3 form an (extended) S^2 cycle σ . By Lemma 3.4 they lie in an essential annulus A . Thus we may begin by assuming these two edges are as shown in Figure 12(b). The edge e_4 connects vertices U_1 and U_2 , and the edge e_1 connects the vertices U_1 and U_{a+1} . Without loss of generality, we may assume e_4 and e_1 are also as shown in Figure 12(b). It remains for us to determine the position of e_5 (relative to the first four edges).

The endpoints labeled 2 of edges e_3 , e_4 , and e_2 are immediately preceded by the endpoints labeled 1 of edges e_4 , e_5 , and e_1 respectively. Due to orientations, given that the edges e_3 , e_4 , and e_2 appear in that order clockwise around the vertex U_2 , the edges e_4 , e_5 , and e_1 must appear in that order counterclockwise around the vertex U_1 . Therefore the edge e_5 may appear either as in Figure 12(b) or as in Figure 13.

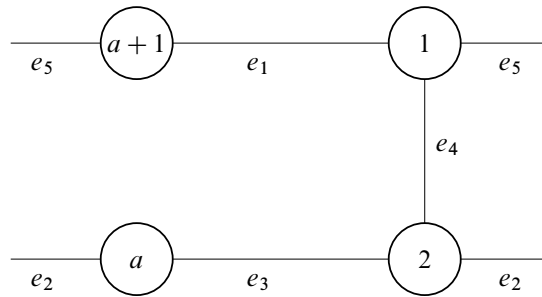


Figure 13: Another possible placement of the edge e_5

Assume the five edges appear as in Figure 13. Extend the $(a, a+1)$ corner of \textcircled{A} and \textcircled{D} radially inward through $H_{(a, a+1)}$ to its core $K_{(a, a+1)}$. Join \textcircled{A} to \textcircled{D} along this common corner to form the trigon F .

By Lemma 3.7, the core of the essential annulus $A \subseteq \hat{T}$ in which the edges of F lie bounds a meridional disk of the solid torus on the same side of \hat{T} as F . Thus the core of A bounds a meridional disk. By Lemma 3.4 the annulus in which the edges of the S^2 cycle that lies in between the edges of σ lie must also bound a meridional disk. This however contradicts Lemma 3.3.

Thus the edges of \textcircled{A} and \textcircled{D} must appear as in Figure 12(b). □

Lemma 3.13 *Let g be a trigon of G_S^1 with edges as in Figure 12(a). If the interior of the bigon on \hat{T} bounded by edges e_1 and e_5 (and the vertices U_1 and U_{a+1}) is*

disjoint from K , then there cannot be a bigon of G_S attached to e_4 , the edge with label pair $\{1, 2\}$.

Proof Note that since g is bounded by a forked extended S_2 cycle, $t \geq 4$. Assume there is a bigon of G_S attached to e_4 . Let g' be g with this bigon attached. Let Δ be the bigon on \hat{T} bounded by the edges e_1 and e_5 . Assume $\text{Int } \Delta \cap K = \emptyset$. Then, by the minimality assumption on $|S \cap T|$, we have $\text{Int } \Delta \cap g' = \emptyset$. The corners of Δ are arcs u_1 of ∂U_1 and u_{a+1} of ∂U_{a+1} . We first consider the case that $a + 1 \geq 6$ (and hence $t \geq 6$).

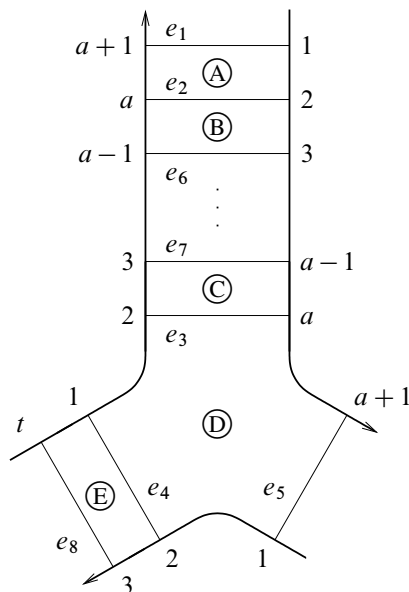


Figure 14: The bigons and trigon of g'

Label the bigons and the trigon of G_S on g' as \textcircled{A} , \textcircled{B} , \dots , \textcircled{E} as shown in Figure 14. Let $\rho_{(1,2)}$ be the rectangle on $\partial H_{(1,2)} \setminus (U_1 \cup U_2)$ and u_2 be the arc of ∂U_2 so that $\rho_{(1,2)}$ is bounded by u_1 , the $(1, 2)$ corner of \textcircled{A} , u_2 , and the corner $(1, 2)$ of \textcircled{D} . Let $\rho_{(a,a+1)}$ be the rectangle on $\partial H_{(a,a+1)} \setminus (U_a \cup U_{a+1})$ and u_a be the arc of ∂U_a so that $\rho_{(a,a+1)}$ is bounded by u_{a+1} , the $(a, a+1)$ corner of \textcircled{A} , u_a , and a $(a, a+1)$ corner of \textcircled{D} . Let $\rho_{(2,3)}$ be the rectangle on $\partial H_{(2,3)} \setminus (U_2 \cup U_3)$ and u_3 be the arc of ∂U_3 so that $\rho_{(2,3)}$ is bounded by u_2 , the $(2, 3)$ corner of \textcircled{B} , u_3 , and the $(2, 3)$ corner of \textcircled{E} . Let $\rho_{(a-1,a)}$ be the rectangle on $\partial H_{(a-1,a)} \setminus (U_{a-1} \cup U_a)$ and u_{a-1} be the arc of ∂U_{a-1} so that $\rho_{(a-1,a)}$ is bounded by u_a , the $(a-1, a)$ corner of \textcircled{B} , u_{a-1} , and the $(a-1, a)$ corner of \textcircled{C} .

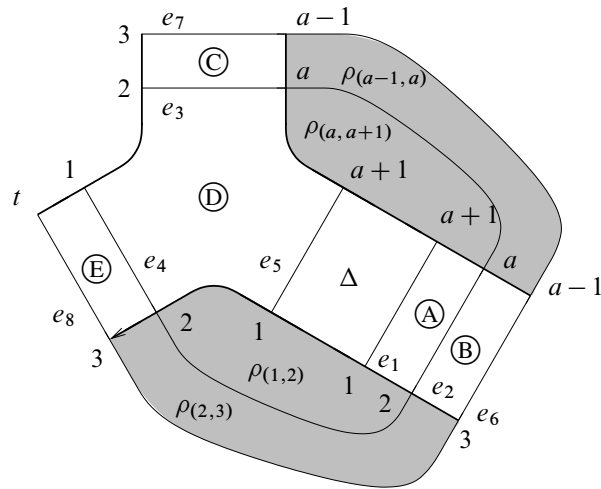


Figure 15: The bigons and trigon of g' assembled to form a long disk D

Assemble \textcircled{A} , \textcircled{B} , \dots , \textcircled{E} , Δ , $\rho_{(1,2)}$, $\rho_{(2,3)}$, $\rho_{(a-1,a)}$, and $\rho_{(a,a+1)}$ to form the embedded disk D as shown in Figure 15. The boundary of D is composed of an arc $\alpha = e_7 \cup u_{a-1} \cup e_6 \cup u_3 \cup e_8$ and an arc $\beta = (H_{(t,1)} \cap \textcircled{E}) \cup (H_{(1,2)} \cap \textcircled{D}) \cup (H_{(2,3)} \cap \textcircled{C})$. The arc α lies on \hat{T} . The arc β lies on $\partial H_{(t,3)}$ (recall $H_{(t,3)} = H_{(t,1)} \cup H_{(1,2)} \cup H_{(2,3)}$) and can be radially extended into $H_{(t,3)}$ to lie on the arc $K_{(t,3)}$. Hence we may take β to lie on K . Therefore D is a long disk. By Lemma 2.2, such a disk cannot exist.

If $a + 1 = 4$, then \textcircled{B} and \textcircled{C} are the same bigon of G_S on g . The two corners of $\textcircled{B} = \textcircled{C}$ however are distinct arcs on $H_{(2,3)}$. Also notationally $\rho_{(a-1,a)}$ is confused with $\rho_{(2,3)}$. In this case, let us refer to the former as $\rho'_{(2,3)}$. Further notice that the interiors of $\rho_{(2,3)}$ and $\rho'_{(2,3)}$ do not intersect. We may assemble the disk D using two copies of \textcircled{B} . A slight isotopy which fixes β and keeps α on \hat{T} makes D embedded. (Alternatively, in this construction of D , one may regard \textcircled{B} and \textcircled{C} as slight pushoffs of the same bigon to opposite sides.) Again, D is a long disk. \square

Lemma 3.14 *Let g be the trigon bounded by a forked extended S^2 cycle of G_S^1 with edges as in Figure 12(a). Let f be the trigon bounded by a forked extended S^2 cycle of G_S^{a+1} . Its edges must be as in Figure 16 (a) or (b). Let Δ_g be the bigon on \hat{T} bounded by the edges e_1 and e_5 of g , and let Δ_f be the bigon on \hat{T} bounded by the edges e'_1 and e'_5 of f . If the interiors of Δ_g and Δ_f are disjoint from K , then the edge e'_4 has label pair $\{a, a+1\}$.*

Proof Assume the interiors of Δ_f and Δ_g are disjoint from K . By the minimality assumption on $|S \cap T|$, we have $\text{Int}(\Delta_f \cup \Delta_g) \cap (f \cup g) = \emptyset$.

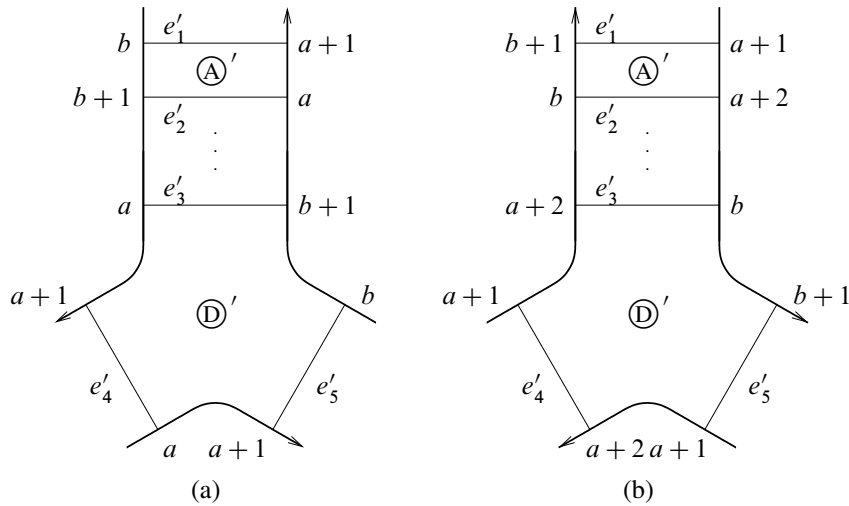


Figure 16: The two possible trigons bounded by a forked extended S_2 cycle of G_S^{a+1}

Assume the edge e'_4 of f does not have label pair $\{a, a+1\}$. Therefore it must have label pair $\{a+1, a+2\}$ and f is as in Figure 16(b). Assemble disks D_g and D_f in a manner similar to what is done in the proof of Lemma 3.13. The disk D_g is comprised of \textcircled{A} , \textcircled{D} , Δ_g , a rectangle $\rho_{(a, a+1)}$ on $\partial H_{(a, a+1)}$, and rectangle $\rho_{(1, 2)}$ on $\partial H_{(1, 2)}$. The disk D_f is comprised of \textcircled{A}' , \textcircled{D}' , Δ_f , a rectangle $\rho_{(a+1, a+2)}$ on $\partial H_{(a+1, a+2)}$, and a rectangle $\rho_{(b, b+1)}$ on $\partial H_{(b, b+1)}$. These two disks are shown in Figure 17. Note

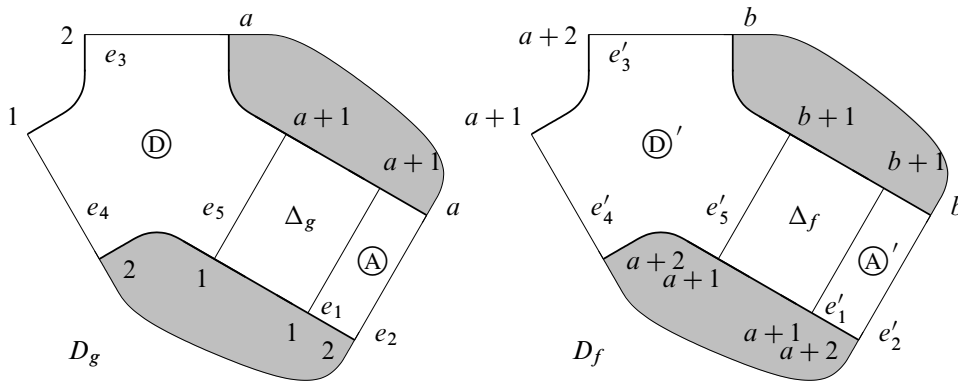


Figure 17: The construction of a high disk and a low disk

that the arcs $K_{(1, 2)}$ and $K_{(a+1, a+2)}$ lie on opposite sides of \hat{T} . We may extend arcs of the boundaries of the two disks D_g and D_f radially into $H_{(1, 2)}$ and $H_{(a+1, a+2)}$ so

that $\partial D_g = K_{(1,2)} \cup (D_g \cap \widehat{T})$ and $\partial D_f = K_{(a+1,a+2)} \cup (D_f \cap \widehat{T})$. Even if $b = 2$, one may check that the arcs $\partial D_g \cap \widehat{T}$ and $\partial D_f \cap \widehat{T}$ are disjoint. Therefore the pair of disks D_g and D_f are a pair of disjoint high and low disks for K . This is a contradiction to Lemma 2.1.

Therefore f is as in Figure 16(a), and the edge e'_4 has label pair $\{a, a+1\}$. □

Lemma 3.15 *Assume for $i \neq j$ that $\sigma_i \subseteq G_S^i$ and $\sigma_j \subseteq G_S^j$ are two forked extended $S2$ cycles such that for each (extended) $S2$ cycle contained in the face bounded by one of σ_i or σ_j there is an (extended) $S2$ cycle with the same label pair contained in the face bounded by the other forked extended $S2$ cycle. Then the faces bounded by σ_i and σ_j each contain only an $S2$ cycle and no extended $S2$ cycles.*

Proof Assume G_S^1 has a forked extended $S2$ cycle σ_1 that bounds a trigon g on G_S^1 as in Figure 12(a). By Lemma 3.12 the five edges e_1, e_2, e_3, e_4 , and e_5 lie on \widehat{T} as in Figure 12(b). For each $n = 0, \dots, (a-3)/2$ there is an (extended) $S2$ cycle contained in g with label pair $\{2+n, a-n\}$.

Assume there is a forked extended $S2$ cycle σ_j of G_S^j bounding a trigon f such that for each $n = 0, \dots, (a-3)/2$ there is an (extended) $S2$ cycle contained in f with label pair $\{2+n, a-n\}$. By hypothesis $j \neq 1$. Hence $j = a+1$. Therefore f appears as in Figure 16(a) with $b = 1$.

We now consider how the edges of \textcircled{A}' and \textcircled{D}' lie with respect to the edges of g as shown in Figure 12(b). Note that since $\textcircled{A} \neq \textcircled{D}'$ and $\textcircled{D} \neq \textcircled{A}'$ the edges e'_1, \dots, e'_5 each must be distinct from the edges e_1, \dots, e_5 . Also, by Lemma 3.5 and Lemma 3.4, the edges e_2, e_3, e'_2 , and e'_3 together lie in an essential annulus.

The edges e_1 and e'_1 have the same label pair $\{1, a+1\}$. Either they lie in a disk or they lie in an essential annulus in \widehat{T} .

Case 1 If e_1 and e'_1 lie in an essential annulus, then either (a) e'_1 is incident to U_1 in the arc of ∂U_1 between e_4 and e_5 that does not intersect e_1 or (b) e'_1 is incident to U_1 in the arc of ∂U_1 between e_4 and e_1 that does not intersect e_5 .

For (a), the corners of \textcircled{A}' force e'_2 to be incident to the vertices U_2 and U_a on opposite sides of $e_2 \cup e_3 \cup U_2 \cup U_a$. Thus e'_2 cannot not lie in the essential annulus which contains e_2 and e_3 contrary to Lemma 3.5.

For (b), the corners of \textcircled{A}' force e'_2 to be incident to the vertices U_2 and U_a on the side of $e_2 \cup e_3 \cup U_2 \cup U_a$ to which e_4 is not incident. By Lemma 3.5 the edge e'_3 must lie on the other side of $e_2 \cup e_3 \cup U_2 \cup U_a$. Following the $(a, a+1)$ corner of \textcircled{D}'

from e'_3 to e'_4 implies that e'_4 lies in the disk of \widehat{T} between e_1 and e_5 . This however contradicts that e'_4 has label pair $\{a, a+1\}$.

Therefore the edges e_1 and e'_1 cannot lie in an essential annulus.

Case 2 The edges e_1 and e'_1 lie in a disk. There are three possibilities for the placement of e'_1 with respect to the edges of g . Either (a) e_5 lies in the disk between e_1 and e'_1 , (b) e_1 lies in the disk between e'_1 and e_5 or (c) e'_1 lies in the disk between e_1 and e_5 .

For (a), edge e'_1 is incident to U_1 and U_{a+1} in the same arcs as in Case 1(a). Thus again edge e'_2 cannot lie in the essential annulus which contains e_2 and e_3 contrary to Lemma 3.5.

For (b), edge e'_1 is incident to U_1 and U_{a+1} in the same arcs as in case 2(a). Thus again edge e'_4 is forced to have the wrong label pair.

For (c), the corners of \mathbb{A}' force e'_2 to be incident to the vertices U_2 and U_a on the side of $e_2 \cup e_3 \cup U_2 \cup U_a$ to which e_4 is incident.

The edges e_2 and e'_2 must lie in a disk. Otherwise e_2 and e'_2 lie in an essential annulus with core parallel to the core of the essential annulus in which the edges e_2 and e_3 lie. Then on \widehat{T} , e_1 and e'_1 bound a bigon Δ . With the appropriate rectangles $\rho_{(1,2)}$ and $\rho_{(a,a+1)}$ on $\partial H_{(1,2)}$ and $\partial H_{(a,a+1)}$ respectively we may form the disk $D = \mathbb{A} \cup \mathbb{A}' \cup \rho_{(1,2)} \cup \rho_{(a,a+1)} \cup \Delta$ whose boundary is parallel to the core of the essential annulus in which the edges e_2 and e'_2 lie. Then by Lemma 3.4 ∂D is parallel to the core of the annulus in which an S^2 cycle lies. This contradicts Lemma 3.3.

Since the edges e_2 and e'_2 lie in a disk, e'_2 is incident to U_2 in the arc of ∂U_2 between e_2 and e_4 that does not contain e_3 . Therefore e'_3 is incident to U_2 and U_a in the arcs of ∂U_2 and ∂U_a between e_2 and e_3 in which e'_2 is not incident. Following the corners of \mathbb{D}' puts edge e'_4 incident to U_a on the same side of e_2 and e_3 as e'_3 and edge e'_5 so that e_1 lies in the disk between e'_1 and e'_5 . This configuration is shown in Figure 18. Let Γ be this subgraph of G_T consisting of the edges e_1, \dots, e_5 and e'_1, \dots, e'_5 and the vertices U_1, U_2, U_a , and U_{a+1} .

If $a > 3$ then there is an (extended) S^2 cycle with label pair $\{3, a-1\}$ which by Lemma 3.4 lies in an essential annulus. Thus Γ must lie in an essential annulus. This is a contradiction. Thus $a = 3$. This proves the lemma. \square

Proposition 3.16 *If a trigon f of G_S^x is not innermost, then there exists two edges of f that have the same label pair. These edges either lie in an essential annulus on \widehat{T} or bound a bigon on \widehat{T} whose interior intersects K . Moreover, if the edges of f are not an extended S^3 cycle, then f contains a forked extended S^2 cycle whose edge with label pair distinct from the other two is not an edge of f .*

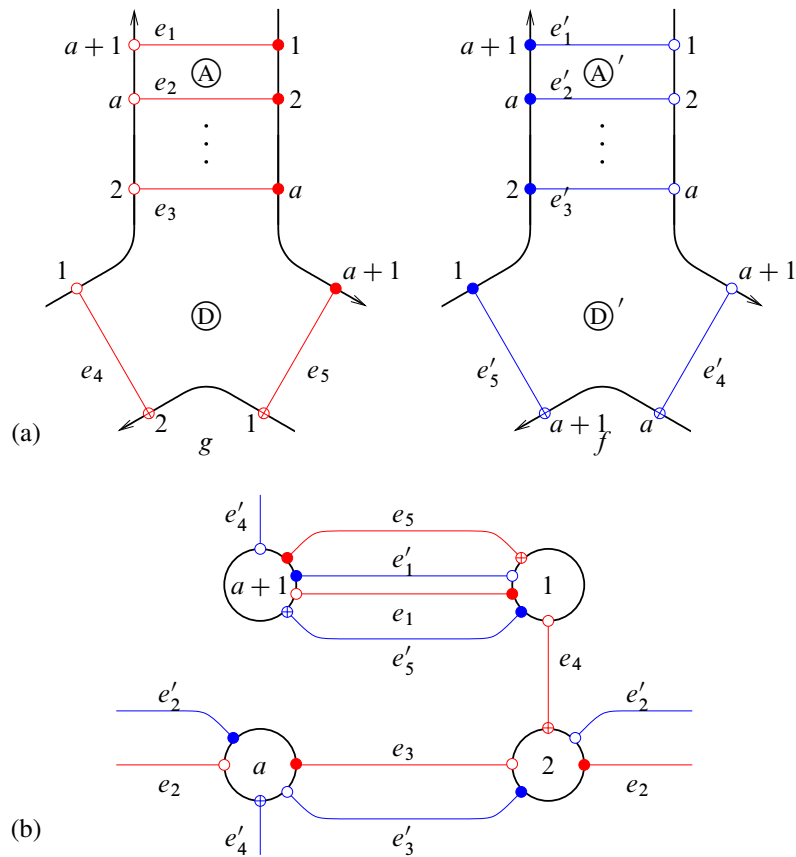


Figure 18: (a) The trigons g and f (b) The subgraph Γ consisting of the edges $e_1, \dots, e_5, e'_1, \dots, e'_5$ and the vertices U_1, U_2, U_a , and U_{a+1} on \hat{T}

Proof Assume f is a trigon of G_S^x that is not an innermost trigon. Let g be the trigon innermost on f . Therefore f is obtained from g by attaching bigon faces of G_S . By Proposition 3.9, the edges of g are an S_3 cycle or a forked extended S_2 cycle.

If the edges of g are an S_3 cycle, then to obtain f an equal number of bigons of G_S must be attached to all three edges of g . Hence the edges of f are an extended S_3 cycle and lie in an essential annulus on \hat{T} .

If the edges of g are a forked extended S_2 cycle, then relabel so that g is a trigon of G_S^1 as in Figure 12(a) with one edge e_4 having label pair $\{1, 2\}$ and the other two edges e_1 and e_5 having label pair $\{1, a+1\}$. Note $a \neq 1$. Then f is obtained by attaching bigon faces of G_S to one, two, or three edges of g . Let Δ_g be the bigon on

\widehat{T} bounded by e_1 and e_5 (and the vertices U_1 and U_a). Lemma 3.13 implies that the interior of Δ_g must intersect K if a bigon of G_S is incident to e_4 .

Case I If f is obtained by attaching bigon faces of G_S to just one edge of g , then the bigons are attached to e_4 . Otherwise edges with label pairs $\{1, 2\}$ and $\{1, a+1\}$ must be on the boundary of f . Since $a \neq 1$, this implies that f is a trigon of G_S^1 , contradicting that f properly contains the trigon g of G_S^1 .

Attaching bigons to the edge e_4 of g with label pair $\{1, 2\}$ implies that f must be a trigon of G_S^{a+1} . Furthermore, e_1 and e_5 are still edges of f . These edges bound Δ_g . According to Lemma 3.13 the interior of Δ_g must intersect K . This satisfies the conclusion of the proposition.

Case II If f is obtained from g by attaching bigons of G_S to the two edges with label pair $\{1, a+1\}$, then f must be a trigon of either G_S^1 or G_S^2 . This cannot occur since g is a trigon of G_S^1 and its interior contains edges of G_S^2 .

Thus f must be obtained from g by attaching bigons of G_S to the edge with label pair $\{1, 2\}$ and one of the edges with label pair $\{1, a+1\}$. Because the third edge has label pair $\{1, a+1\}$, f must be a trigon of either G_S^1 or G_S^{a+1} . It can be neither as the interior of f will contain an edge of g with label pair $\{1, a+1\}$. Thus this case cannot occur.

Case III Assume f is obtained from g by attaching bigons of G_S to all three edges of g . The number of bigons attached to each edge is not necessarily uniform.

If b bigons are attached to each edge of g , then f is a trigon of G_S^{t-b+1} . Then f has two edges with label pair $\{a+b+1, t-b+1\}$ and one edge with label pair $\{t-b+1, b+2\}$. The trigon f appears as in Figure 19(a). Note that $b+2 < a+b+1$ since $a > 1$, and $a+b+1 < t-b+1$ since otherwise there would be an edge of G_S^{t-b+1} in the interior of f .

Either the two edges of f with label pair $\{a+b+1, t-b+1\}$ lie in an essential annulus (satisfying the proposition) or they bound a bigon Δ_f on \widehat{T} . If $\text{Int } \Delta_f \cap K = \emptyset$ then we may construct a long disk in a manner similar to the constructions for $a+1 \geq 6$ and $a+1 = 4$ in Lemma 3.13. See Figure 19(b). Thus $\text{Int } \Delta_f \cap K \neq \emptyset$ satisfying the proposition.

If a different number of bigons is attached to each edge of g to form f , then assume b is the minimum number of bigons attached to an edge of g . Hence all edges of g

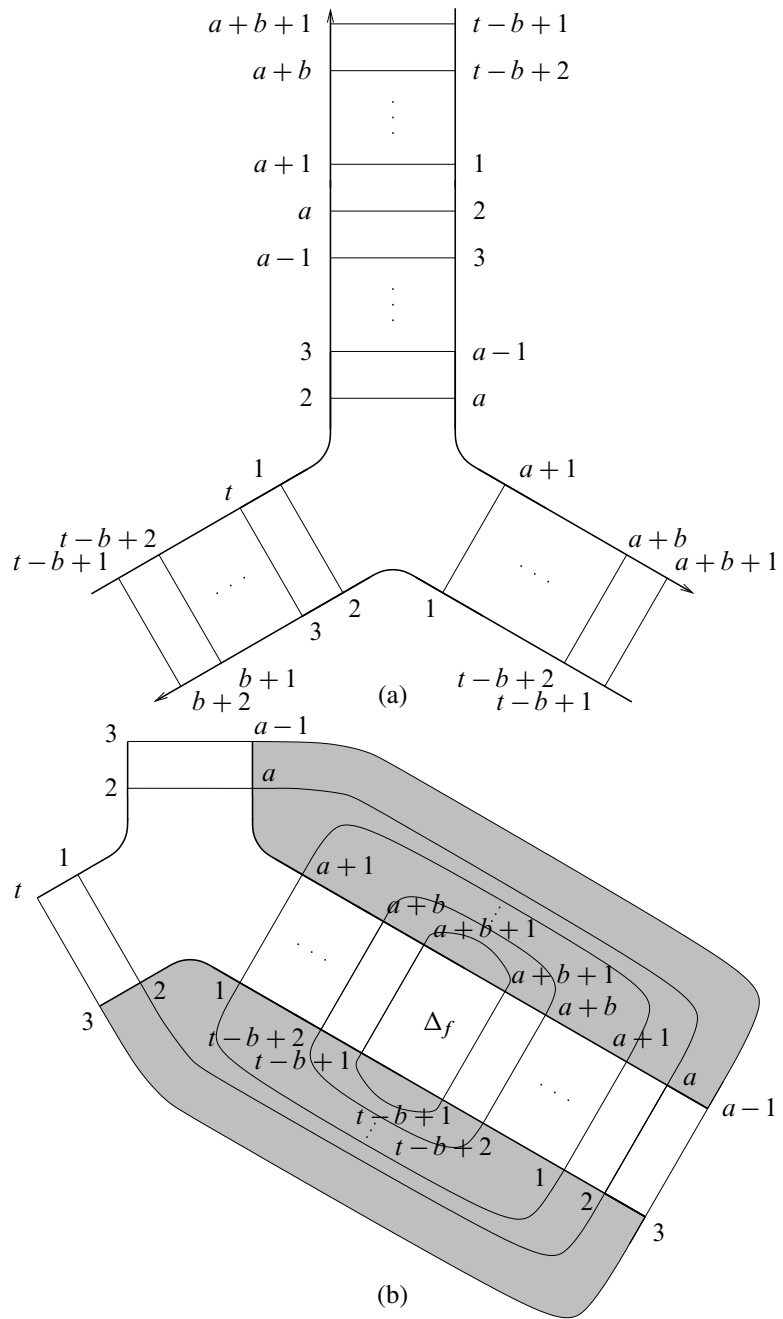


Figure 19: (a) A forked extended S^2 cycle with b bigons attached to each edge of the face g it bounds (b) The construction of a long disk

have b bigons attached, and either one or two edges have more than b edges attached. Let g' be the trigon formed by attaching b bigons to each of the edges of g . The trigon g' appears as in Figure 19(a).

If f is obtained from g' by attaching bigons to two of the edges of g' , then one may check that the arguments of Case II apply. If f is obtained from g' by attaching bigons to just one of the edges, then one may check that the initial arguments of Case I also apply to imply that extra bigons are attached to the edge of g' with label pair $\{b+2, t-b+1\}$. Thus f is a trigon of G_S^{a+b+1} .

Either the two edges of f with label pair $\{a+b+1, t-b+1\}$ lie in an essential annulus (satisfying the proposition) or they bound a bigon Δ_f on \hat{T} . If $\text{Int } \Delta_f \cap K = \emptyset$ then we may construct a long disk in a manner similar to the construction in Lemma 3.13. Again, see Figure 19(b). Thus $\text{Int } \Delta_f \cap K \neq \emptyset$ satisfying the proposition. \square

Lemma 3.17 *If two edges of a trigon of some G_S^x bound a bigon B on \hat{T} , then $\text{Int } B \cap K = \emptyset$.*

Proof Assume otherwise. Then for some x there is a trigon F of G_S^x with two edges that bound a bigon B in \hat{T} with $\text{Int } B \cap K \neq \emptyset$ such that (*) any other bigon in \hat{T} bounded by two edges of a trigon of some G_S^y and contained in B has interior disjoint from K .

Let U_1 be a vertex of G_T in $\text{Int } B$. By Lemma 3.1 the graph G_S^1 must have a bigon or trigon face g . Because U_1 is contained in the interior of B , no pair of edges bounding g may lie in an essential annulus on \hat{T} . By Lemma 3.3 and Lemma 3.4, g must be a trigon that is not bounded by an $S3$ cycle or an extended $S3$ cycle. If g is not an innermost trigon then by Proposition 3.16 a pair of its edges must bound a bigon B' on \hat{T} whose interior intersects K . This bigon B' however must be contained in B , contradicting (*). Therefore g must be an innermost trigon. Since it cannot be bounded by an $S3$ cycle, Proposition 3.9 implies that it must be bounded by a forked extended $S2$ cycle. We may assume g has edges as in Figure 12(a) which appear on G_T as in Figure 12(b) as described by Lemma 3.12.

Because U_1 is in the interior of B and the edges e_2 and e_3 lie in an essential annulus on \hat{T} , the edges of G_T bounding B must both be incident to U_2 . Because edges of G_T connect vertices of opposite parity, the edges of G_T bounding B cannot also be incident to U_{a+1} . Therefore they must be incident to some other vertex, say U_z , which may be U_a . (Note that this means $x=2$ or $x=z$.) One such configuration with $z \neq a$ is depicted in Figure 20. If $z = a$ then it may be the case that either e_2 or e_3 bounds a bigon on \hat{T} with an edge of B .

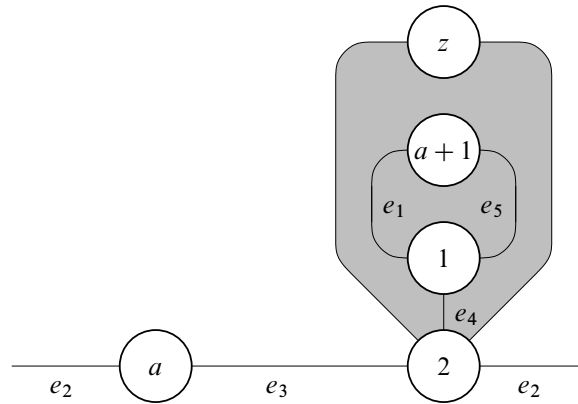


Figure 20: For $z \neq a$ the bigon B is shown in grey with the edges of g on \hat{T} .

Observe that the vertex U_{a+1} must be contained in the interior of B . Therefore the bigon Δ_g on \hat{T} bounded by the two edges e_1 and e_5 of g is contained in B . By (*) the interior of Δ_g must be disjoint from K .

Furthermore the graph G_S^{a+1} must have a trigon face f bounded by a forked extended S^2 cycle by the same arguments used above for the trigon g . The edges of f then appear as in Figure 16(a) or (b). Because the bigon Δ_f on \hat{T} bounded by the two edges e'_1 and e'_5 of f is contained in B , (*) implies its interior must be disjoint from K . Since the interiors of both Δ_g and Δ_f are disjoint from K , Lemma 3.14 implies that the edges of G_S on f must appear as in Figure 16(a). Moreover, since the edge e'_4 has label pair $\{a, a+1\}$, it must be the case that $z = a$. Note that the two edges e'_2 and e'_3 both have label pairs $\{a, b+1\}$ and lie in an essential annulus on \hat{T} .

Claim $b = 1$

Observe that the vertex U_b is contained in B . Note that $b \neq 2, a+1$ since edges of G_T connect vertices of opposite parity, and $b \neq a$ since the edges of f would not form a forked extended S^2 cycle otherwise. If $b \neq 1$ then the above arguments apply once again to show that G_S^b contains a trigon h bounded by a forked extended S^2 cycle. As with the trigons g and f , two edges of h bound a bigon Δ_h on \hat{T} which is contained in B and thus has interior disjoint from K . With f playing the role of g , h playing the role of f , and adjusting the labeling accordingly, Lemma 3.14 implies that h has an edge, say e''_4 , with label pair $\{b, b+1\}$. Since $b \neq 1, b+1 \neq 2$. Therefore in order for e'_2 and e'_3 to lie in an essential annulus on \hat{T} , the vertex U_{b+1} must be disjoint from B . Yet this contradicts that the edge e''_4 connects the vertices U_b and U_{b+1} . Hence $b = 1$.

Since $b = 1$ the two forked extended $S2$ cycles bounding g and f fit the hypotheses of Lemma 3.15. Indeed the notation that we are currently using agrees with the notation used in the proof of Lemma 3.15. As a consequence, we have that $a = 3$ and the subgraph Γ of G_T consisting of the edges e_1, \dots, e_5 and e'_1, \dots, e'_5 and the vertices $U_1 \dots U_4$ does not lie in an essential annulus on \hat{T} .

Since $z = a = 3$, the edges of B have label pair $\{2, 3\}$. Therefore F is a trigon of either G_S^2 or G_S^3 . The subgraph Γ and the two edges of B are shown in Figure 21. Because of the symmetry between the edges of f and g , we may assume F is a trigon of G_S^2 .

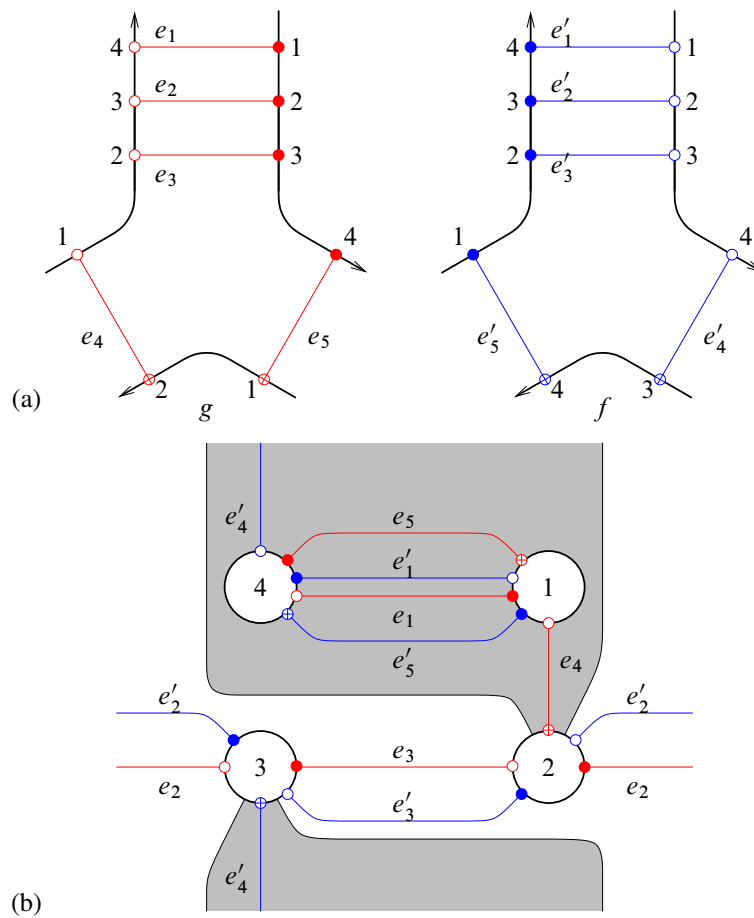


Figure 21: (a) The two forked extended $S2$ cycles g and f (b) The bigon B in grey and the edges of g and f on \hat{T}

If F is not an innermost trigon, then by Proposition 3.16 either F is bounded by an extended $S3$ cycle or contains a forked extended $S2$ cycle. In either case, F must contain an (extended) $S3$ cycle or an (extended) $S2$ cycle σ for which neither 2 nor 3 belong to its label pair. By Lemma 3.4, the edges of σ must lie in an essential annulus on \hat{T} . But this essential annulus must be disjoint from Γ which contradicts that Γ does not itself lie in an essential annulus.

Since F must be an innermost trigon, by Proposition 3.9 it is bounded by an $S3$ cycle or a forked extended $S2$ cycle.

If F is bounded by an $S3$ cycle, then it has label pair $\{2, 3\}$. By Lemma 3.3 its third edge must lie in an essential annulus A with the two edges that bound B . Beginning with the two edges of B , by following the endpoints of the edges along the corners of F (along $\partial H_{2,3}$), we find that all three edges of F must encounter the vertex U_2 from the same side of the essential annulus A' in which edges e_2 and e_3 lie. Following along the corners of F to the vertex U_3 , we find that the edges of F must encounter the vertex U_3 from the other side of the annulus A' . Therefore the core curves of each A and A' are isotopic. But since e_2 and e_3 bound an $S2$ cycle in the solid torus on the same side of \hat{T} as F , Lemma 3.3 implies that the cores of A and A' run 3 and 2 times respectively in the longitudinal direction of this solid torus. Because these cores are isotopic on \hat{T} , this is a contradiction.

If F is bounded by a forked extended $S2$ cycle of G_S^2 , then by Lemma 3.12 the edge with label pair distinct from the other two has label pair $\{2, 1\}$ or label pair $\{2, 3\}$. But since the two of its edges that bound B have the label pair $\{2, 3\}$, the third edge must have label pair $\{2, 1\}$. Therefore there must be an (extended) $S2$ cycle with label pair $\{1, 4\}$ on F . By Lemma 3.4 the two edges of this $S2$ cycle must lie in an essential annulus on \hat{T} . Yet since the vertices U_1 and U_4 are both contained in the interior of the bigon B , this cannot occur. □

Proposition 3.18 *A trigon of G_S^x is bounded by either an $S3$ cycle, an extended $S3$ cycle, or a forked extended $S2$ cycle.*

Proof Let f be a trigon of G_S^x . By Proposition 3.9, f is innermost if and only if it is bounded by either an $S3$ cycle or a forked extended $S2$ cycle. If f is not innermost, then by Proposition 3.16 either it is bounded by an extended $S3$ cycle or f contains a forked extended $S2$ cycle whose edge with label pair distinct from the other two is not an edge of f .

Let us assume f is as in this last situation since it is the only one we must rule out. Let g be the forked extended $S2$ cycle in f and assume it is labeled as in Figure 12(a).

By Lemma 3.17 the bigon on \hat{T} bounded by edges e_1 and e_5 of g has interior disjoint from K . Since edge e_4 is not an edge on the boundary of f , within f there must be a bigon of G_S with e_4 as an edge. This contradicts Lemma 3.13. \square

Lemma 3.19 *Each graph G_S^x contains at least one of the following: an $S2$ cycle, an extended $S2$ cycle, an $S3$ cycle, an extended $S3$ cycle, a forked extended $S2$ cycle.*

Proof Since Lemma 3.1 implies that each graph G_S^x must contain a bigon or a trigon, this lemma follows from Lemma 3.8 and Proposition 3.18. \square

Lemma 3.20 *$S \cap T$ contains no simple closed curves that bound disks in X .*

Proof A simple closed curve of $S \cap T$ is either essential on \hat{T} or bounds a disk on \hat{T} .

Assume there is a simple closed curve $\gamma \in S \cap T$ that is an essential curve on \hat{T} and bounds a disk in X . Via Lemma 3.19 G_S must have an $S2$ or $S3$ cycle σ . By Lemma 3.3, the edges of σ lie in an essential annulus A on \hat{T} . Since γ must be disjoint from A , it must be parallel to the core of A . Thus the core of A bounds a disk in X . This contradicts Lemma 3.3.

Assume there is a simple closed curve $\gamma \in S \cap T$ that bounds a disk $D \subseteq \hat{T}$.

Assume there is a vertex, say U_x , of G_T in D . By Lemma 3.19, G_S^x contains either an $S2$ cycle, an extended $S2$ cycle, an $S3$ cycle, an extended $S3$ cycle, or a forked extended $S2$ cycle. By Lemma 3.3 and Lemma 3.4 only the edges of a forked extended $S2$ cycle may not lie in an essential annulus. Hence G_S^x must contain a forked extended $S2$ cycle σ that bounds a face of G_S^x with edges as in Figure 12. Since an edge of σ must be incident to a vertex that has an (extended) $S2$ cycle also incident to it, σ cannot lie in D by Lemma 3.4. Thus there are no vertices of G_T in D .

Hence $D \cap K = \emptyset$. Since lens spaces are irreducible, γ must also bound a disk $D' \subseteq S$ that is isotopic rel- ∂ in $X - N(K)$ to D . This contradicts the minimality assumption on $|S \cap T|$. \square

3.4 Similar forked extended $S2$ cycles

With Lemma 3.19 in hand, we may refine our understanding of Lemma 3.15. In particular, as we shall soon see, the hypotheses of Lemma 3.15 hold true only if $t = 4$. The following proposition will be relevant in Section 5 for the proof of Lemma 5.1.

Proposition 3.21 Assume $\sigma_i \subseteq G_S^i$ and $\sigma_j \subseteq G_S^j$ are two forked extended $S2$ cycles such that for each (extended) $S2$ cycle contained in the face bounded by one of σ_i or σ_j there is an (extended) $S2$ cycle with the same label pair contained in the face bounded by the other forked extended $S2$ cycle. If $t \geq 6$ then $i = j$.

Proof Let us return to the notation set up in Lemma 3.15. Specifically, note that for f , g , and Γ we set $a = 3$. One may care to refer to Figure 21 (disregarding the bigon B) instead of Figure 18 for a depiction of the arrangement of their edges.

Lemma 3.19 implies that for each $x \in \mathbf{t}$ G_S^x contains a face F bounded by an (extended) $S2$ cycle, an (extended) $S3$ cycle, or a forked extended $S2$ cycle. In any of these cases, there exists an $S2$ cycle or an $S3$ cycle σ of G_S on F . By Lemma 3.3 the edges of an $S2$ or $S3$ cycle lie in an essential annulus. Since the subgraph Γ does not lie in an essential annulus (see the proof of Lemma 3.15), the edges of σ must be incident to at least one vertex in Γ . Therefore σ must have label pair $\{t, 1\}$, $\{1, 2\}$, $\{2, 3\}$, $\{3, 4\}$, or $\{4, 5\}$. By Lemma 3.6 the faces of G_S bounded by Scharlemann cycles of order 2 or 3 with disjoint label pairs must lie on opposite sides of \hat{T} . Since each f and g contain an $S2$ cycle with label pair $\{2, 3\}$, σ may only have label pair $\{1, 2\}$, $\{2, 3\}$, or $\{3, 4\}$.

Claim: σ cannot have label pair $\{1, 2\}$ or $\{3, 4\}$.

Assume σ has label pair $\{1, 2\}$. Note that e_4 cannot belong to σ . Let c be a corner of the face of G_S bounded by σ . Let E_1 and E_2 be the edges incident to c at the vertices U_1 and U_2 respectively. E_1 is incident to U_1 on the arc of ∂U_1 either between e_4 and e'_5 or e_4 and e_5 in which no other edge of Γ is incident.

In the former case the edge E_2 is incident to U_2 in the arc of ∂U_2 between e_3 and e'_3 in which no other edge of Γ is incident. Thus the other end is incident to U_3 . This contradicts that the label pair of E_2 is $\{1, 2\}$.

In the latter case the edge E_2 is incident to U_2 in the arc of ∂U_2 between e_3 and e_4 in which no other edge of Γ is incident. Thus E_1 and E_2 lie in the same disk of $\hat{T} \setminus \Gamma$. Therefore every edge of σ lies in a disk. This contradicts Lemma 3.3.

Hence σ cannot have label pair $\{1, 2\}$. Due to the symmetry of f , g , and Γ , the same argument prohibits σ from having label pair $\{3, 4\}$. This proves the claim.

Due to the above claim, the $S2$ or $S3$ cycle of G_S in any bigon or trigon of G_S^x for any $x \in \mathbf{t}$ must have label pair $\{2, 3\}$. If for $5 \leq x \leq t$ the graph G_S^x has an extended $S2$ cycle or extended $S3$ cycle σ' , then the label pair of σ' cannot include any of the labels 1, 2, 3, or 4. Thus σ' must lie in a disk in the complement of Γ . This contradicts Lemma 3.4.

Thus G_5 and G_t both have forked extended $S2$ cycles which bound trigons containing extended $S2$ cycles with label pair $\{1, 4\}$. This contradicts Lemma 3.15. \square

4 Annuli and trees

4.1 Construction of annuli, related complexes, and trees

Assume the labeling of the vertices of G_T has been chosen so that $K_{(t,1)}$ is contained in X^- . Recall that by Lemma 3.20 the interior of each face of G_S is disjoint from \hat{T} .

Assume $1 < k \leq t/2$ and G_S^k contains an extended S_p cycle σ for $p = 2$ or 3 to which the innermost Scharlemann cycle has label pair $\{1, t\}$. The edges of σ thus have label pair $\{k, t - k + 1\}$.

Let B denote the face of G_S^k bounded by σ . The edges of G_S divide B into $p(k-1)$ bigons plus the p -gon bounded by the Scharlemann cycle. Let B_1 be the p -gon bounded by the Scharlemann cycle. If $p = 2$, for $i \geq 2$ let B'_i and B''_i be the bigons bounded by the edges with label pairs $\{i-1, t-i+2\}$ and $\{i, t-i+1\}$. If $p = 3$, for $i \geq 2$ let B'_i , B''_i , and B'''_i be the bigons bounded by the edges with label pairs $\{i-1, t-i+2\}$ and $\{i, t-i+1\}$ chosen so that

- $\partial B'_i \cap \partial B'_{i+1} \neq \emptyset$, $\partial B''_i \cap \partial B''_{i+1} \neq \emptyset$, $\partial B'''_i \cap \partial B'''_{i+1} \neq \emptyset$ and
- the edges $\partial B'_i \cap \partial B'_{i+1}$ and $\partial B''_i \cap \partial B''_{i+1}$ do not lie in a disk; see Lemma 3.4.

For each $2 \leq i \leq k$, form the annulus A_i from $B'_i \cup B''_i \cup H_{(i-1,i)} \cup H_{(t-i+1,t-i+2)}$ by shrinking each $H_{(i-1,i)}$ and $H_{(t-i+1,t-i+2)}$ radially to their cores $K_{(i-1,i)}$ and $K_{(t-i+1,t-i+2)}$. The annulus A_i is contained in X^+ if and only if i is even. Let a_i be the curve of ∂A_i that contains the point K_i , and set a_1 to be the curve of ∂A_2 that contains K_1 .

If $p = 2$, let A_1 be the Möbius band formed from $B_1 \cup H_{(t,1)}$ by shrinking $H_{(t,1)}$ to its core radially. Figure 22 shows (a) the solid torus X^- with $H_{(t,1)}$ and (b) how B_1 sits in X^- . Such a construction of a Möbius band is done in the proof of Lemma 2.5 of [5].

If $p = 3$, let A_1 be the complex formed from $B_1 \cup H_{(t,1)}$ by first isotoping the edge $B_1 \cap B'''_2$ across the disk component of $\hat{T} \setminus (B_1 \cup H_{(t,1)})$ (which has interior disjoint from K by Lemma 3.17) keeping the corners of B_1 on $H_{(t,1)}$. See Figure 23(a) for an example of the placement of B_1 in X^- ; see also Figure 22(a). Next identify a small collar neighborhood in B_1 of the two edges that have been isotoped together. Then after shrinking $H_{(t,1)}$ to its core radially, the resulting complex A_1 intersects \hat{T} as

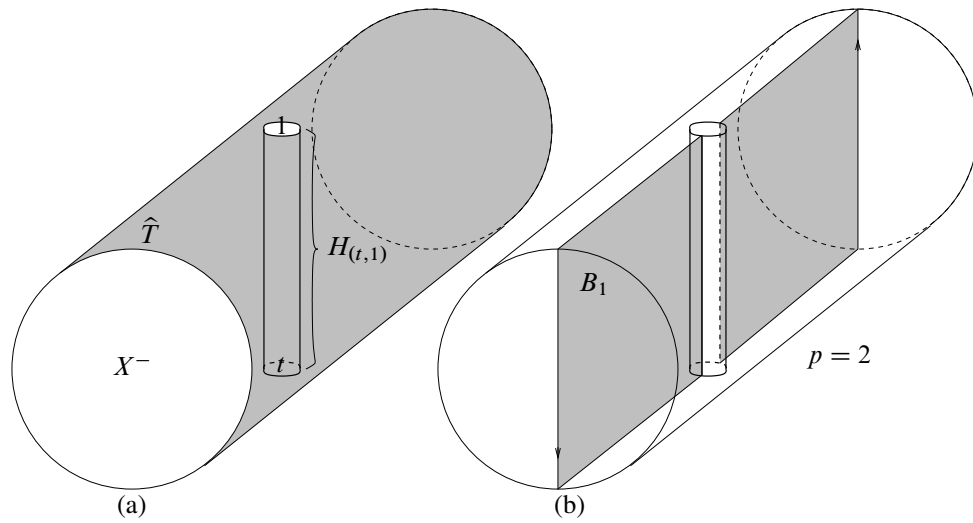


Figure 22: (a) The solid torus X^- with $H_{(t,1)} = \bar{N}(K_{(t,1)})$ (b) The bigon B_1 for $p = 2$

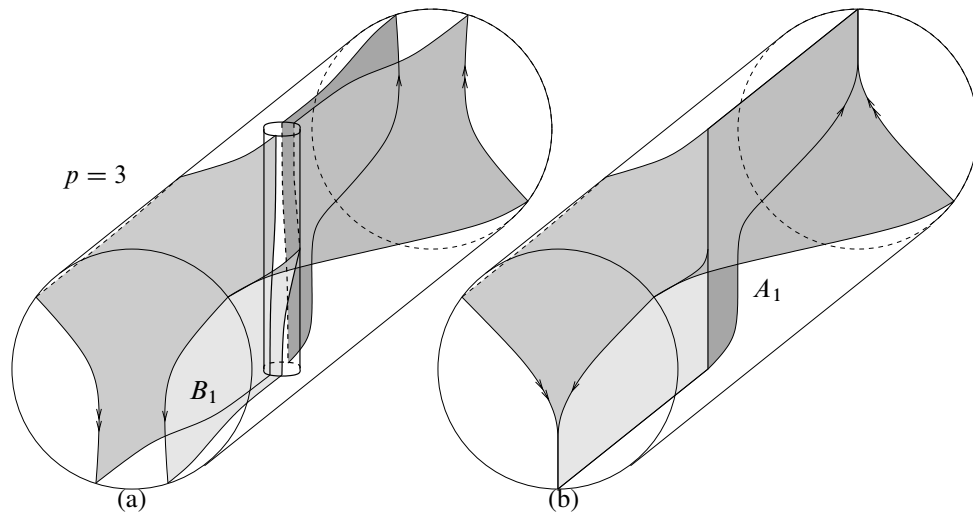


Figure 23: (a) The trigon B_1 for $p = 3$ (b) The complex A_1 for $p = 3$

the curve a_1 . See Figure 23(b). Note that after chopping along a suitable meridional disk D , $(X^- \setminus D, \bar{N}(A_1) \setminus D)$ is homeomorphic to $(I \times D^2, I \times \bar{N}(Y))$ where Y is the complex in the standard disk D^2 formed by three radii; see Lemma 3.3. For both of these cases, $\partial \bar{N}(A_1) \cap X^-$ is an annulus that double covers A_1 (except along $K_{(t,1)}$ if $p = 3$ where it is triple covered by the annulus).

Define the annulus $A = \bigcup_{i=2}^k A_i$. By Lemma 3.4 $\bigcup_{i=2}^k \partial A_i = \{a_1, \dots, a_k\}$ is a collection of k essential simple closed curves on \hat{T} that are mutually disjoint and parallel. Furthermore, by Lemma 3.3 these curves are not meridional in either X^+ or X^- . These curves then divide \hat{T} into k annuli T_j so that $\hat{T} - A = \bigcup_{j=1}^k \text{Int } T_j$.

Recall that two 3-manifolds with toroidal boundaries attached together along an annulus that is incompressible in each is a solid torus if and only if each of the manifolds is itself a solid torus and one of their meridians crosses the annulus exactly once. Each annulus A_i (for $i \neq 1$) thus separates X^\pm (where $\pm = +$ or $-$ depending on the parity of i) into two solid tori where at least one of the meridians of the solid tori crosses the core curve of A_i just once. This implies that A_i is isotopic in X^\pm rel- ∂ onto \hat{T} . Let V_i be the solid torus of $X^\pm \setminus A_i$ through which this isotopy occurs. In the event that both solid tori of $X^\pm \setminus A_i$ would work, choose the V_i so that if $\text{Int } V_i \cap \text{Int } V_j$ is nonempty, then it is either all of $\text{Int } V_i$ or all of $\text{Int } V_j$. Note that none of the V_i contain A_1 .

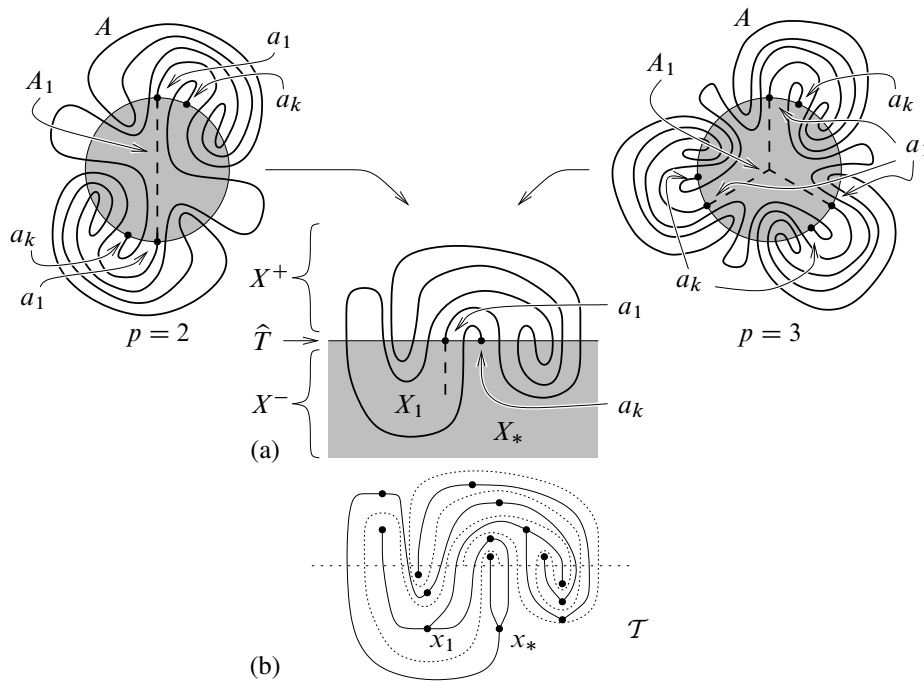


Figure 24: (a) A schematic of the annulus A (b) The corresponding graph \mathcal{T}

Consider the collection of solid tori $\mathcal{X} = X \setminus A \setminus \hat{T}$ formed by chopping X along both A and \hat{T} . The boundaries of all but at most two $X_I \in \mathcal{X}$ are alternately comprised of the annuli A_i and the annuli T_j . Let $X_1 \subseteq X^-$ be the solid torus of \mathcal{X} that contains A_1 . The boundary of X_1 intersects the curve a_1 but not $\text{Int } A_2$. Let $X_* \in \mathcal{X}$ be the

solid torus whose boundary intersects a_k but not $\text{Int } A_k$. Since $k > 1$, each of ∂X_* and ∂X_1 contains more than one of the annuli T_j . The meridian of each $X_l \in \mathcal{X}$ intersects the core curve of an annulus T_j on its boundary exactly once except for at most two, one of which is necessarily $X_1 \subseteq X^-$ and the other we shall denote $X_0 \subseteq X^+$. Note that $X_0 \cap \text{Int } V_i = \emptyset$. It may be the case that $X_* = X_0$ or $X_* = X_1$. See Figure 24(a) for a schematic example of the annulus A , the complex A_1 , X_1 , and X_* for both $p = 2$ and 3. We will continue draw schematics of the annulus A et al. in the quotiented manner indicated in Figure 24(a).

Form a graph \mathcal{T} with vertices x_l corresponding to solid tori $X_l \in \mathcal{X}$ and edges t_j corresponding to annuli T_j so that an edge t_j connects vertices x_l and x_m if the annulus T_j is contained in the boundary of each X_l and X_m . Figure 24(b) shows the graph \mathcal{T} corresponding to the annulus A in Figure 24(a). The vertices x_l may be marked as $+$ or $-$ according to whether the corresponding X_l is contained in X^+ or X^- . Adjacent vertices must have opposite signs.

Lemma 4.1 *The graph \mathcal{T} is a tree.*

Proof If \mathcal{T} is not a tree, then there is a cycle of distinct edges $t_{j_1}, t_{j_2}, \dots, t_{j_w}$ such that $\partial t_{j_i} \cap \partial t_{j_{i+1}} = x_{l_i}$ (unless $s = w$ in which case $\partial t_{j_1} = \partial t_{j_2}$) and $j_i = j_{i'}$ only if $i = i'$.

Let R_{l_i} be an annulus properly contained in the solid torus X_{l_i} corresponding to the vertex x_{l_i} whose boundary components are the core curves of the annuli T_{j_i} and $T_{j_{i+1}}$. Since the annuli are connected in a cycle, $R = \bigcup_{i=1}^w R_{l_i}$ is a torus that is disjoint from A . Since R is contained in the lens space X , it must be separating. On the boundary of X_{l_i} the annuli T_{j_i} and $T_{j_{i+1}}$ are necessarily separated by at least two of the curves $\{a_1, \dots, a_k\}$ since each ∂T_{j_i} and $\partial T_{j_{i+1}}$ are pairs of curves in $\{a_1, \dots, a_k\}$ and $\text{Int } T_{j_i} \cap \text{Int } T_{j_{i+1}} = \emptyset$. Specifically, $X_{l_i} - R_{l_i}$ has two components each of which has nontrivial intersection with A . This however contradicts that A is connected and R is separating. □

Since \mathcal{T} is a tree and there are k annuli T_j , \mathcal{T} has $k + 1$ vertices. Hence there are $k + 1$ solid tori X_l . Furthermore, since \mathcal{T} divides K into t arcs (the arcs $K_{(1,2)}, K_{(2,3)}, \dots, K_{(t,1)}$) of which $2(k - 1)$ (the arcs $K_{(t-k+1, t-k+2)}, \dots, K_{(t-1, t)}$ and $K_{(1,2)}, \dots, K_{(k-1, k)}$) are contained in A , the remaining $t - 2(k - 1)$ arcs (the arcs $K_{(k, k+1)}, \dots, K_{(t-k, t-k+1)}$ and $K_{(t,1)}$) are disjoint from A (except at the four points K_1, K_t, K_k , and K_{t-k+1}).

Aside from $K_{(t,1)}$, these remaining arcs together form the arc $K_{(k, t-k+1)}$ which runs from ∂A inside X_* through the interior of the solid tori X_l crossing between them

by passing through the T_j eventually returning to ∂A in X_* . Due to \mathcal{T} being a tree, $K_{(k,t-k+1)}$ eventually returns through the same T_j from which it entered an X_l . Therefore $|K_{(k,t-k+1)} \cap \text{Int } T_j|$ is even for every j .

Consider the subtree $\mathcal{T}_* \subseteq \mathcal{T}$ consisting of the vertices and edges corresponding to the X_l and T_j with which $K_{(k,t-k+1)}$ has nonempty intersection. Since $K_{(k,t-k+1)}$ intersects the union $\bigcup_{j=1}^k \text{Int } T_j$ a total of $(t-k+1) - k - 1 = t - 2k$ times and $K_{(k,t-k+1)}$ intersects each $\text{Int } T_j$ an even number of times, \mathcal{T}_* has at most $t/2 - k$ edges. Root both trees \mathcal{T} and \mathcal{T}_* at the vertex x_* .

Remark 4.1 Indeed, for each edge t_j of \mathcal{T}_* there is a positive even number of intersections of the interior of $K_{(k,t-k+1)}$ with the corresponding annulus $T_j \subseteq \widehat{T} \setminus A$. Notice that if $t/2 - k < k$ (ie $t/4 < k$) then there exists at least one X_l (and hence some T_j) which $K_{(k,t-k+1)}$ does not intersect. To rephrase, if $K_{(k,t-k+1)}$ intersects every $X_l \in \mathcal{X}$, then $t/4 \geq k$ and the face B contains (extended) S^2 or S^3 cycles for the $2k(\leq t/2)$ graphs G_S^i with $t - k + 1 \leq i \leq t$ or $1 \leq i \leq k$.

For either \mathcal{T} or \mathcal{T}_* we say a vertex other than x_* of valency 1 is a *leaf* and a (nonleaf) vertex other than x_* all of whose adjacent vertices except at most one are leaves is a *penultimate leaf*.

4.2 Initial constraints on the trees due to thinness

Lemma 4.2 Let x_m be a leaf of \mathcal{T} not in \mathcal{T}_* which is not x_0 and corresponds to the solid torus X_m . If $X_m \subseteq X^+$ (resp. X^-), then there is a high disk (resp. low disk) in X_m for each of the two arcs of $K \cap \partial X_m$.

Proof We first remark that x_1 cannot be a leaf unless $k = 1$. Nevertheless, we are assuming $k > 1$. Since $x_m \notin \mathcal{T}_*$, $x_m \notin X_*$. Therefore the boundary of X_m is formed by two annuli, say T_m and A_m . Since $X_m \neq X_0$, the meridian of X_m crosses the core curves of T_m and A_m each once. In particular, there are two disjoint meridional disks each with boundary consisting of one of the transverse arcs $K_{(m-1,m)}$ and $K_{(t-m+1,t-m+2)}$ on A_m and an arc on T_m . Since $K \cap \text{Int } X_m = \emptyset$, these are high (or low) disks. \square

Lemma 4.3 Any two leaves of \mathcal{T} not in \mathcal{T}_* neither of which is x_0 must have the same sign.

Proof Assume otherwise. Let x_p and x_n be two leaves of \mathcal{T} of signs $+$ and $-$ respectively that are not in \mathcal{T}_* . Assume neither is x_0 . The two vertices cannot be

joined by an edge since \mathcal{T} is a tree containing the vertex x_0 . Therefore the edges t_p and t_n incident to x_p and x_n respectively are distinct. Let X_p, X_n, T_p , and T_n be the corresponding solid tori and annuli. Hence the annuli $T_n \subseteq X_n$ and $T_p \subseteq X_p$ are distinct. By Lemma 4.2, there is a high disk D_p such that $D_p \cap \hat{T} \subseteq T_p$ and a low disk D_n such that $D_n \cap \hat{T} \subseteq T_n$. For example, see Figure 25. Since K is in thin position this contradicts Lemma 2.1. \square

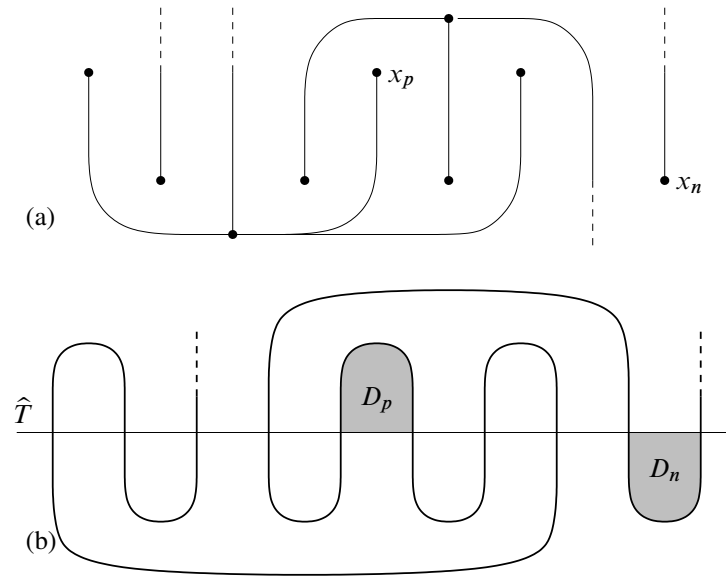


Figure 25: (a) Parts of \mathcal{T} with x_n and x_p (b) The corresponding schematic of A in X illustrating D_n and D_p

Lemma 4.4 *If \mathcal{T} has a penultimate leaf not in \mathcal{T}_* , then the vertex x_0 must be among the penultimate leaf and leaves to which it is adjacent.*

Proof Let x_p be a penultimate leaf of \mathcal{T} not in \mathcal{T}_* and let x_{l_1}, \dots, x_{l_n} be the leaves adjacent to it. Assume x_0 is none of these. Also recall that x_1 cannot be a leaf unless $k = 1$.

Let T_{l_i} , for $i = 1, \dots, n$, be the annulus on \hat{T} corresponding to the edge of \mathcal{T} which connects x_{l_i} to x_p . Let T_p be the remaining annulus of $\hat{T} \cap X_p$. Note that T_p corresponds to the edge t_p which separates $\{x_p, x_{l_1}, \dots, x_{l_n}\}$ from the rest of the vertices of \mathcal{T} and from \mathcal{T}_* in particular. Since meridional disks of the X_{l_i} may be isotoped to intersect the cores of the T_{l_i} once, the manifold X'_p obtained by joining each X_{l_i} to X_p along T_{l_i} is itself a solid torus.

Case 1 Assume $x_p \neq x_1$.

In this case $\partial X'_p$ is composed of the annulus T_p and a subannulus $A' = \bigcup_{i=m}^{m+2n} A_i$ of A for some $m \geq 2$. This annulus contains the arc $K_{(m-1, m+2n)}$ and the arc $K_{(t-m-2n+1, t-m+2)}$. See Figure 26.

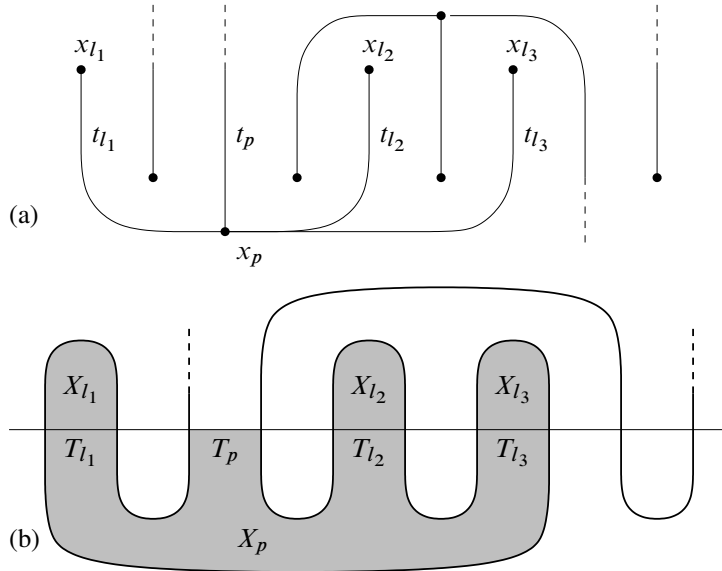


Figure 26: (a) Part of \mathcal{T} where x_p is a penultimate leaf not in \mathcal{T}_* (b) The corresponding schematic of A in X illustrating X'_p and its meridional long disk

Since $X_p \neq X_0$ or X_1 , meridional disks may be isotoped to intersect the cores of each annulus of $\hat{T} \cap X_p$ exactly once. Thus a meridional disk of X'_p may be isotoped to intersect the core of T_p once and intersect A' in the arc $K_{(m-1, m+2n)}$ or $K_{(t-m-2n+1, t-m+2)}$. This meridional disk is a long disk. Its existence contradicts Lemma 2.2.

Case 2 Assume $x_p = x_1$.

A meridional disk of X_p may be isotoped to intersect the core of each annulus of $\hat{T} \cap X_p$ two or three times depending on the order of the Scharlemann cycle at hand, so the method of Case 1 does not apply. See Figure 27(a) and (b).

Nevertheless, in this case the boundary $\partial X'_p$ is composed of the annulus T_p and a subannulus $A' = \bigcup_{i=2}^{2n+1} A_i \subseteq A$. This annulus contains the arcs $K_{(1, 2n+1)}$ and $K_{(t-2n, t)}$. Because $x_1 = x_p \in \mathcal{T} \setminus \mathcal{T}_*$, the only arc of K in the interior of X'_p is $K_{(t, 1)}$. Recall that $K_{(t, 1)} \subseteq A_1$.

Let D' be a meridional disk of X'_p . See Figure 27(b) and (c) for illustrations. Isotop $K_{(t-2n, 2n+1)}$ within $A' \cup A_1$ to lie on D' . This puts $K_{(t-2n, t)} \cup K_{(1, 2n+1)} \subseteq \partial D'$ and $K_{(t, 1)}$ as a properly embedded arc on D' . Let D be one of the two components of $D' \setminus K_{(t, 1)}$ so that ∂D is the union of one arc on \hat{T} and an arc of K . See Figure 27(d). The disk D is a long disk. Since K is in thin position, its existence contradicts Lemma 2.2. \square

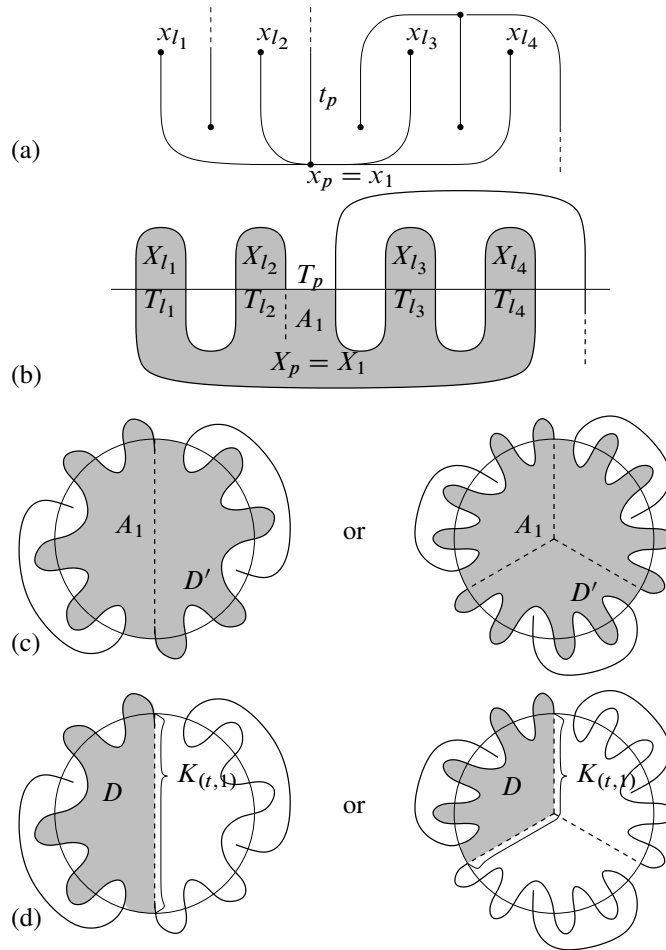


Figure 27: (a) Part of \mathcal{T} where x_1 is a penultimate leaf not in \mathcal{T}_* (b) The corresponding schematic of A in X illustrating X'_p and D' . (c) “Unquotiented” pictures of the meridional disk D' of X'_p when A_1 is constructed from an order 2 or 3 Scharlemann cycle. (d) The long disk D as a subdisk of D' with $K_{(t,1)}$ as an arc of $A_1 \cap D'$

4.3 The unfurling isotopy and further constraints on the trees

Let R be a torus in a 3-manifold Y that bounds a solid torus V . Because R bounds the solid torus V , any Dehn twist along R is isotopic to the identity.

Assume R is divided into two annuli T_R and A_R by the two parallel curves a_{out} and a_{in} . Let K be a knot in Y so that $K \cap R$ is a collection of spanning arcs of A_R with $K \cap N(a_{\text{out}}) \subseteq V$ and $K \cap N(a_{\text{in}}) \subseteq Y - \text{Int } V$.

Lemma 4.5 *There is an ambient isotopy $\Theta_u: Y \times [0, 2\pi] \rightarrow Y$ so that*

- (1) Θ_0 is the identity,
- (2) $\Theta_{2\pi}(K - R) = \Theta_0(K - R)$ and
- (3) $\Theta_{2\pi}(K \cap R)$ is a collection of transverse arcs of T_R .

We refer to an ambient isotopy of K via such a Dehn twist as an *unfurling*. This unfurling isotopy is shown schematically in Figure 28. Note that a_{out} and a_{in} need not be longitudinal curves on $R = \partial V$.

Proof Let γ_A be an arc of $A_R \cap K$, γ_T be an arc of T_R connecting the endpoints of γ_A , and $\gamma = \gamma_A \cup \gamma_T$ be the simple closed curve oriented so that γ_A runs from a_{out} to a_{in} . Take Θ_u to be the Dehn twist along R in the direction of γ . We may view Figure 28 as a “cross section” of V along γ . The conclusions of the lemma are immediate following the definition of the Dehn twist. \square

Let T_R be an annulus of $\widehat{T} \setminus A$. Then we have $\partial T_R = a_m \cup a_n$ where $m < n$. Let $A_R = \bigcup_{i=m+1}^n A_i$.

Lemma 4.6 *The torus $R = A_R \cup T_R$ bounds a solid torus in X that does not contain X_0 .*

Proof Since R is a torus in a lens space, it separates X into two pieces, say V and W . Deleting the edge t_R corresponding to the annulus T_R from \mathcal{T} yields two trees \mathcal{T}_V and \mathcal{T}_W each consisting of vertices x_i corresponding to solid tori $X_i \in \mathcal{X}$ in V and W respectively.

Since only one of V and W may contain X_0 , only one of \mathcal{T}_V and \mathcal{T}_W may contain x_0 . Without loss of generality, assume the tree \mathcal{T}_V does not contain the vertex x_0 . Though \mathcal{T}_V may contain x_1 , all other vertices of \mathcal{T}_V then correspond to solid tori $X_i \neq X_0$ or X_1 whose meridians traverse each annulus of $X_i \cap \widehat{T}$ (and each annulus of $X_i \cap A$) exactly once. Therefore the union X_V of the X_i corresponding to $x_i \in \mathcal{T}_V$ along their common annuli $X_i \cap \widehat{T}$ is a solid torus. Note that $\partial X_V = R$, and the solid torus X_V is indeed V . \square

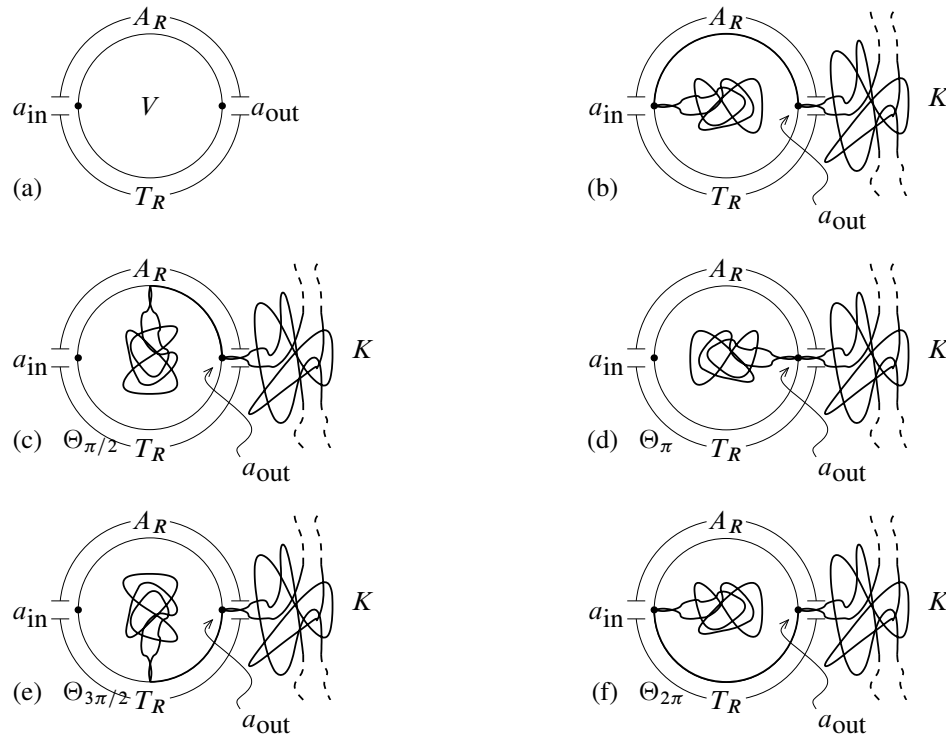


Figure 28: (a) A (not necessarily meridional) “cross section” of the solid torus V (b) The cross section shown with K at $u = 0$ (c) The isotopy at $u = \pi/2$ (d) The isotopy at $u = \pi$ (e) The isotopy at $u = 3\pi/2$ (f) The finished isotopy at $u = 2\pi$

Lemma 4.7 $x_1 \in \mathcal{T}_*$

Proof Assume $x_1 \notin \mathcal{T}_*$. We may assume $k \geq 3$ since if $k \leq 2$ then either $x_1 \in \mathcal{T}_*$ or $t = 2$.

Put a transverse direction on A respecting the ordering of the A_i . For odd (resp. even) i , the transverse direction at a_i points above (resp. below) \hat{T} . Consider the collection \mathcal{A} of curves a_i on the boundary of X_1 . If k is even, then $a_k \notin \mathcal{A}$ since otherwise $x_1 \in \mathcal{T}_*$. For each $a_i \in \mathcal{A}$ with i even, the annulus A_{i+1} must be contained in ∂X_1 . Since $a_1 \in \mathcal{A}$, there are more odd indexed curves than even indexed curves in \mathcal{A} . Hence there are two curves a_m and a_n in \mathcal{A} cobounding an annulus $T_R \subseteq \hat{T} \setminus A$ in ∂X_1 with $m < n$ and both m and n odd.

Consider the annulus $A_R = \bigcup_{i=m+1}^n A_i$ and the torus $R = A_R \cup T_R$. See Figure 29(a). By Lemma 4.6, R bounds a solid torus, say V , that does not contain X_0 .

The assumption that $x_1 \notin \mathcal{T}_*$ is equivalent to the statement that the solid torus X_1 is disjoint from the arc $K_{(k,t-k+1)}$ of K . Hence T_R and moreover R are disjoint from this arc. Therefore K only intersects R as two transverse arcs of A_R . At one of the curves a_m and a_n , K continues into V ; at the other curve, K continues away from V . We may apply Lemma 4.5 to obtain an isotopy of K . See Figure 29(b).

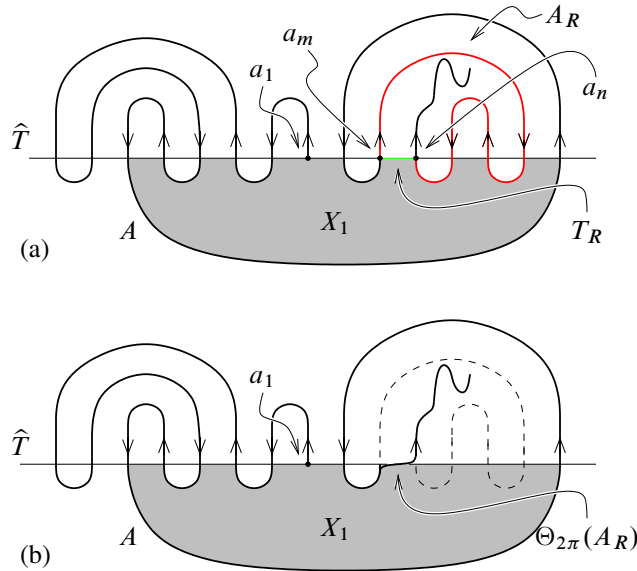


Figure 29: (a) The construction of the unfurling torus (b) After the unfurling isotopy

After this unfurling isotopy, the arcs once of $K \cap A_R$ are now arcs of $K \cap T_R$ and may be nudged to be transverse to the height function. The new set of critical levels is a strict subset of the former set of critical levels. Furthermore the intersection number of K with any of the remaining critical levels has not increased. Therefore the unfurling isotopy has decreased the width of K , contradicting the thinness of K . \square

Lemma 4.8 *The vertices of \mathcal{T} not in \mathcal{T}_* are leaves of \mathcal{T} of the same sign.*

Proof By Lemma 4.7, $x_1 \in \mathcal{T}_*$. If $x_0 \in \mathcal{T}_*$, then Lemma 4.3 and Lemma 4.4 imply the conclusion. Thus we may assume $x_0 \notin \mathcal{T}_*$.

Let t_0 be the edge of \mathcal{T} incident to x_0 that separates x_0 from x_* , T_0 be the annulus of $\hat{T} \setminus A$ corresponding to t_0 , and $\partial T_0 = a_m \cup a_n$ with $m < n$. Form the two annuli $A_{1,m} = \bigcup_{i=2}^m A_i$ and $A_{m,n} = \bigcup_{i=m+1}^n A_i$. See Figure 30(a). Let $A'_{1,m}$ be a slight push off of $A_{1,m}$ with boundaries a'_1 and a'_m so that $a'_m \subseteq T_0$. Also let A'_1 be

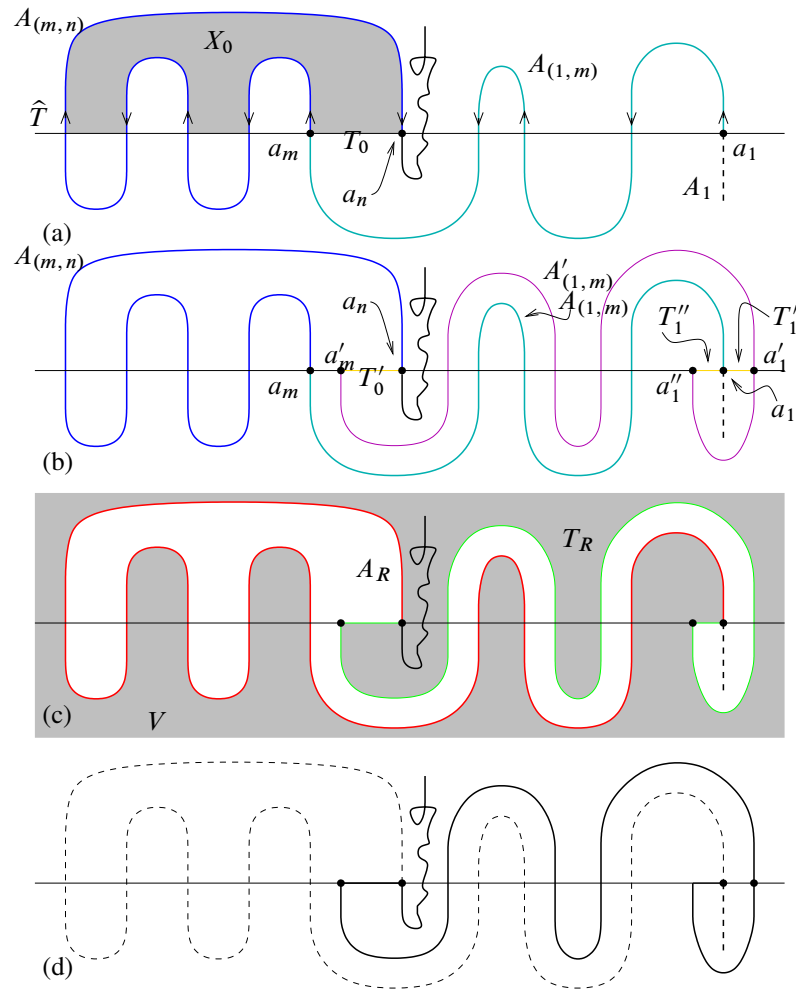


Figure 30: (a) The annuli $A_{(1,m)}$, $A_{(m,n)}$ and T_0 with the solid torus X_0 (b) The annulus $A'_{(1,m)}$ and the annulus T'_0 (c) The annuli A_R and T_R and the solid torus V (d) The result of unfurling along $R = A_R \cup T_R$

$(\partial \bar{N}(A_1) \cap X_1) \setminus \hat{T}$ where one component of $\partial A'_1$ is a'_1 and the other, say a''_1 , is a slight push off of a_1 to its other side. Let T'_1 be the annulus between a_1 and a'_1 and T''_1 be the annulus between a_1 and a''_1 so that $T'_1 \cap T''_1 = a_1$. Let T'_0 be the annulus in T_0 bounded by a'_m and a_n . See Figure 30(b). We now form the torus

$$R = A_{1,m} \cup A_{m,n} \cup T'_0 \cup A'_{1,m} \cup A'_1 \cup T''_1$$

as shown in Figure 30(c). By construction A_1 and X_0 both lie on the same side of R . It follows (as in Lemma 4.6) that R bounds a solid torus, say V , on its other side.

Divide R into the two annuli $A_R = A_{1,m} \cup A_{m,n}$ (which is a subannulus of A) and $T_R = T'_0 \cup A'_{1,m} \cup A'_1 \cup T''_1$. Notice that $K \cap R = K_{(1,n)} \cup K_{(t-n+1,t)}$ are two transverse arcs of A_R , $K \cap \text{Int } T_R = \emptyset$, and $K \setminus V = K_{(t,1)}$ with $\partial K_{(t,1)} \subseteq a_n$. Lemma 4.5 applies. The result of this unfurling isotopy is depicted in Figure 30(d).

Form the annuli $A_Q = A'_{(1,m)} \cup A'_1 \cup T''_1$ and $T_Q = A_{(1,m)} \cup (T_0 \setminus T'_0)$. See Figure 31(a). The torus $Q = A_Q \cup T_Q$ bounds a solid torus that contains A_1 . Notice that $Q_A = T_R$. Hence after unfurling along R , Q_A is a subannulus of the isotoped A_R , $K \cap T_Q = \emptyset$, and Lemma 4.5 applies again.

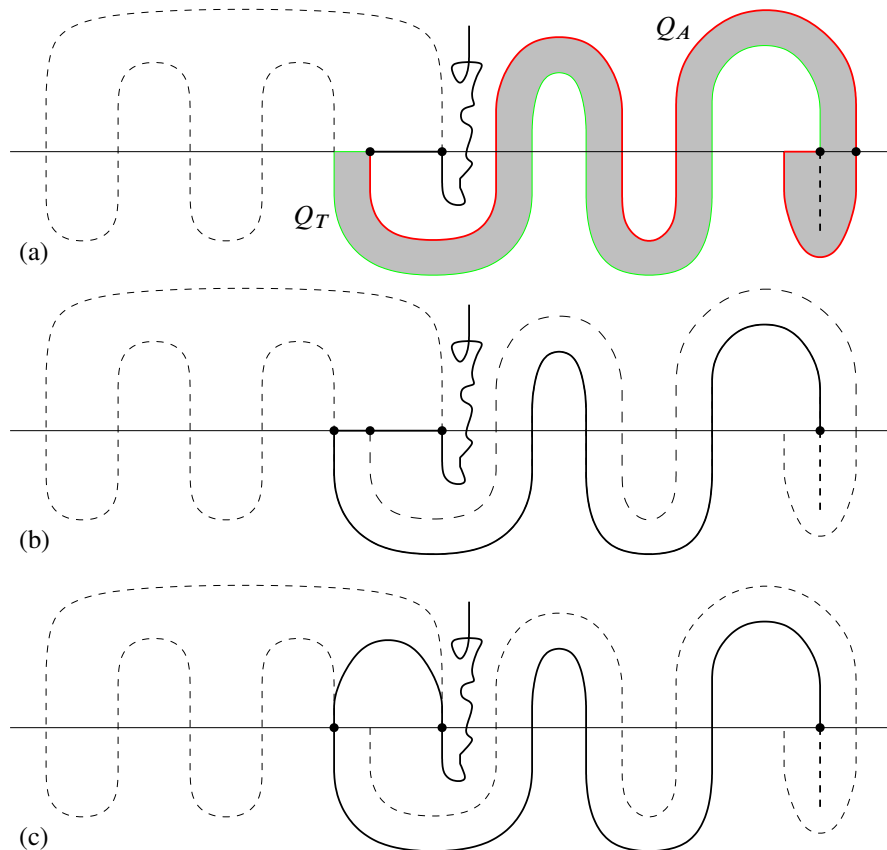


Figure 31: (a) The annuli Q_A and Q_T together bound a solid torus (b) The result of unfurling along $Q = Q_A \cup Q_T$ (c) The result of a further final isotopy

After unfurling along R and then along Q , the annulus $A_{(m,n)}$ has been repositioned as T_0 , and the arcs $K_{(m,n)}$ and $K_{(t-n+1,t-m+1)}$ now lie as transverse arcs of T_0 . See

Figure 31(b). The rest of K is as it was (up to perhaps height-preserving isotopies near a_1 , a_m , and a_n). By a slight further isotopy of the arcs $K_{(m,n)}$ and $K_{(t-n+1,t-m+1)}$ into X_0 , we obtain another Morse presentation of K of width not greater than previously. See Figure 31(c). Since K was in thin position before these isotopies, it must be in another thin position now. Hence $n = m + 1$ and x_0 is now a leaf of \mathcal{T}_* . Furthermore this implies that x_0 must have been a leaf of \mathcal{T} connected to $x_1 \in \mathcal{T}_*$ before the isotopies.

If \mathcal{T} had a leaf not in \mathcal{T}_* of opposite sign from x_0 , then after these isotopies there would be a high disk and low disk pair contradicting Lemma 2.1. If \mathcal{T} had a nonleaf vertex that was not in \mathcal{T}_* , then \mathcal{T} has a penultimate leaf not in \mathcal{T}_* . Since x_0 was a leaf of \mathcal{T} connected to \mathcal{T}_* by an edge, it could not be a leaf adjoined to this penultimate leaf. Thus there would have been a long disk contradicting Lemma 2.2. The conclusion of this lemma follows. \square

Lemma 4.9 *If $x_0 \notin \mathcal{T}_*$, then there is an isotopy of K into another thin position which takes each annulus A_i to itself for $i < k$ and A_k to another annulus such that the resulting trees have $x_0 \in \mathcal{T}_*$.*

Proof The proof of this lemma is basically contained within the proof of Lemma 4.8.

Assume $x_0 \notin \mathcal{T}_*$. By Lemma 4.8, ∂X_0 consists of the annulus A_k and the annulus, say, $T_k \in \widehat{T} \setminus A$ bounded by the curves a_k and a_{k-1} . Let $X_2 \in \mathcal{X}$ be the other solid torus that contains A_k in its boundary. Since $k \geq 3$, X_2 cannot correspond to a leaf of \mathcal{T} . Lemma 4.8 implies that the interior of X_2 must intersect K .

The isotopy employed in the proof of Lemma 4.8 has the effect of rearranging S in $N(\bigcup_{i=1}^k A_i \cup T_k)$ so that A_k is moved from one side of X_0 to a slight push off T_k on the other side and each A_i for $1 \leq i < k$ is taken to itself. For \mathcal{T} , this is tantamount to moving the label x_0 to the vertex in \mathcal{T}_* that previously corresponded to X_2 . \square

4.4 The least extreme critical points

Recall that in the beginning of this Section 4 we let $\{A_2, \dots, A_k\}$ be the annuli and A_1 be the Möbius band or complex associated to the face of an extended Scharlemann cycle of order 2 or 3. Let A_{k+1} be the complex formed from identifying the common corners of the bigon and trigon at the “ends” of the face bounded by a forked extended Scharlemann cycle that contains the extended Scharlemann cycle of order 2 provided such a forked extended Scharlemann cycle exists. Otherwise, set $A_{k+1} = \emptyset$.

Lemma 4.10 *After perhaps a width-preserving isotopy, the highest minimum (resp. lowest maximum) below (resp. above) \hat{T} lies on an arc of K that together with an arc on \hat{T} bounds a low disk (resp. high disk) with interior disjoint from $\bigcup_{i=1}^{k+1} A_i$ and from K . Furthermore, if the boundary of this low disk (resp. high disk) intersects $\bigcup_{i=1}^{k+1} \partial A_i$ then either it intersects only $\partial A_{k+1} - a_k$ if $A_{k+1} \neq \emptyset$ or it intersects only a_k if $A_{k+1} = \emptyset$.*

Proof We work with the highest minimum below \hat{T} . The other case follows in the same manner.

Let m be the first critical value of $h(K)$ below 0, and let p_m be the corresponding critical point. Since $\hat{T} = h^{-1}(0)$ is a thick level, p_m is a minimum. For a suitably small $\epsilon > 0$, $K \cap h^{-1}[m - \epsilon, 0]$ is a collection of arcs of K transverse to the induced product structure on $h^{-1}[m - \epsilon, 0]$ together with the arc κ containing p_m that has both endpoints on \hat{T} . Thus there exists a low disk for κ .

Let D be a low disk for κ so that its interior is disjoint from K and ∂D consists of κ and an arc on \hat{T} . If κ is contained in A_i for some i , we may assume that $N(\partial\kappa) \cap (D - \kappa) \cap A_i = \emptyset$ at the expense of perhaps increasing $|(\partial D - \kappa) \cap A_i|$. Let us further assume D is transverse to $\bigcup_{i=1}^{k+1} A_i$ and that D has been chosen among all such disks (with $N(\partial\kappa) \cap (D - \kappa) \cap A_i = \emptyset$) so that $|D \cap \bigcup_{i=1}^{k+1} A_i|$ is minimized.

Assume $(D - \kappa) \cap \text{Int } A_i \neq \emptyset$ for some $i \in \{1, \dots, k+1\}$. Since D is disjoint from K except along κ , $(D - \kappa) \cap A_i = D \cap (A_i \setminus K)$. If the intersection contained any simple closed curves (that do not intersect \hat{T} in the case of A_1), then standard innermost disk arguments would imply a contradiction either to the minimality of $|\text{Int } D \cap \bigcup_{i=1}^{k+1} A_i|$ or to the incompressibility of S . Therefore $D \cap A_i$ is a collection of arcs for each i . Since each component of $A_i \setminus K$ is a bigon or trigon of G_S , each arc of $D \cap A_i$ either bounds a subdisk of $A_i \setminus K$ with an arc of \hat{T} or bounds a rectangle of A_i with two arcs of \hat{T} and an arc of K . Standard outermost arc arguments show that we may assume that only arcs of the second type occur.

Let α be an arc of $D \cap (A_i \setminus K)$, outermost on D . Thus α cuts off a subdisk $D_\alpha \subseteq D$ disjoint from κ . Since α must be an arc of the second type, let $R \subseteq A_i$ be a rectangle with boundary composed of α , two arcs of $\partial A_i \subseteq \hat{T}$, and an arc, say κ' , of $K \cap A_i$. Since the interior of D_α is disjoint from A_i , D_α intersects R only along α . Thus by a slight isotopy of the disk $R \cup D_\alpha$, we may form a low disk D' with boundary composed of κ' and an arc on \hat{T} such that $|\text{Int } D' \cap \bigcup_{i=1}^{k+1} A_i| = 0$.

If $\kappa' = \kappa$ then the existence of D' contradicts the minimality of $|\text{Int } D \cap \bigcup_{i=1}^{k+1} A_i|$. Thus either $|\text{Int } D \cap \bigcup_{i=1}^{k+1} A_i| = 0$ satisfying the lemma or $\kappa' \neq \kappa$.

If $\kappa' \neq \kappa$ then D' guides a width-preserving isotopy of K so that the minimum of κ' is higher than the minimum of κ .

Given the disk D with $|\text{Int } D \cap \bigcup_{i=1}^{k+1} A_i| = 0$, the final conclusion of the lemma is immediate. \square

If $A_{k+1} \neq \emptyset$, then each arc of $A_{k+1} \cap K$ bounds a disk with an arc of \widehat{T} contained in $N(\partial A_{k+1})$ whose interior is disjoint from K and a_k . These disks may be constructed similarly to the construction of the disk D_g in Lemma 3.14.

Lemma 4.11 *If a leaf of \mathcal{T} is not in \mathcal{T}_* , then it is the only such leaf. Furthermore A_k is contained in the boundary of the solid torus corresponding to this leaf.*

Proof Assume $k = 2$. If there are two leaves of \mathcal{T} not in \mathcal{T}_* , then $x_* = x_1 = \mathcal{T}_*$. Hence $t = 4$ contradicting that $t \geq 6$. Thus we assume $k \geq 3$.

Let x_m be a leaf of \mathcal{T} not in \mathcal{T}_* . Without loss of generality we may assume its sign is positive. By Lemma 4.7, $x_1 \in \mathcal{T}_*$. Lemma 4.9 implies that we may assume $x_0 \in \mathcal{T}_*$. Thus x_m is neither x_0 nor x_1 .

Let A_m be the annulus of $A \setminus \widehat{T}$ which together with an annulus $T_m \in \widehat{T} \setminus A$ cuts off the solid torus $X_m \in \mathcal{X}$ corresponding to the leaf x_m . The arcs of $K \cap A_m = K_{(m-1, m)} \cup K_{(t-m+1, t-m+2)}$ each with an arc $\tau_{(m-1, m)}$ or $\tau_{(t-m+1, t-m+2)}$ of T_m bound a meridional disk of X_m . These two meridional disks are high disks and may be assumed to be disjoint.

By Lemma 4.10 the arc κ of $K \setminus \widehat{T}$ containing the highest minimum below \widehat{T} together with an arc τ_κ of \widehat{T} bounds a low disk D with interior disjoint from $\bigcup_{i=1}^k A_i$. If the interior of τ_κ is disjoint from the interior of either $\tau_{(m-1, m)}$ or $\tau_{(t-m+1, t-m+2)}$, then by Lemma 2.1 K is not in thin position. Hence τ_κ must intersect the interior of both. Thus $\tau_\kappa \cap \text{Int } T_m \neq \emptyset$. For this to occur, either $\partial\kappa \cap \text{Int } T_m \neq \emptyset$, $\partial\kappa \subseteq \partial T_m$, or $\text{Int } \tau_\kappa \cap \partial T_m \neq \emptyset$.

Since the interior of X_m is disjoint from K , $\partial\kappa \cap \text{Int } T_m = \emptyset$. If $\partial\kappa \subseteq \partial T_m$ then κ must join the two arcs of $K \cap A_m$. Hence $a_k \subseteq \partial T_m$. If $\text{Int } \tau_\kappa \cap \partial T_m \neq \emptyset$ then, as in Lemma 4.10, $\text{Int } \tau_\kappa$ may only intersect a_k . Hence $a_k \subseteq \partial T_m$. Thus $A_k \subseteq \partial X_m$.

Assume x_n is another leaf of \mathcal{T} not in \mathcal{T}_* . Lemma 4.8 implies that x_m and x_n have the same sign. We may also assume x_n is neither x_0 nor x_1 . The same argument above thus applies for the leaf x_n . Hence if $X_n \in \mathcal{X}$ is the solid torus corresponding to x_n , then $A_k \subseteq \partial X_n$. Therefore A_k separates X^+ into the solid tori X_m and X_n of \mathcal{X} . In other words, $X^+ = X_m \cup A_k \cup X_n$.

Since $k \geq 3$, A_{k-2} exists. Furthermore A_{k-2} must be contained in X^+ since A_k is. Yet since A_k is the only subannulus of $A = \bigcup_{i=2}^k A_i$ contained in X^+ , it must be the case that $k = 3$ and $A_1 \subseteq X^+$. But because neither $x_m = x_1$ nor $x_n = x_1$, $A_1 \not\subseteq X^+$. This is a contradiction. \square

Lemma 4.12 *There may be at most one vertex of \mathcal{T} not in \mathcal{T}_* .*

Proof This follows from Lemma 4.8 and Lemma 4.11. \square

4.5 Bounds on extended Scharlemann cycles

We may now get good estimates on how many labels are accounted for by the face of an extended $S2$ or $S3$ cycle. Recall that we are assuming $t \geq 6$.

Lemma 4.13 *For any $x \in \mathbf{t}$ the face bounded by an extended $S2$ or $S3$ cycle on G_S^x may account for at most $t/2 + 1$ of the labels if $4 \nmid t$ and at most $t/2$ of the labels if $4 \mid t$.*

Proof Let σ' be an extended $S2$ or $S3$ cycle of G_S^x for some $x \in \mathbf{t}$ bounding the disk face f' . Let σ be the Scharlemann cycle contained in f' . Assume we have relabeled so that σ has label pair $\{t, 1\}$ and σ' has label pair $\{t - k + 1, k\}$. Thus f' accounts for $2k$ labels. If $k = 1$ then $\sigma = \sigma'$ and the lemma holds. Therefore we may assume $k \geq 2$.

From f' form the complex A_1 , the annuli A_i for $i = 2, \dots, k$, the annulus $A = \bigcup_{i=2}^k A_i$, and the corresponding trees. Lemma 4.12 implies that there can be at most one vertex of \mathcal{T} not contained in \mathcal{T}_* .

Since \mathcal{T} has k edges, \mathcal{T}_* has at least $k - 1$ edges. By Remark 4.1, the interior of the arc $K_{(k, t-k+1)}$ intersects \hat{T} at least $2(k - 1)$ times. Hence at least $2(k - 1)$ labels are not accounted for by f' . Therefore $t \geq 2k + 2(k - 1) = 4k - 2$, ie $t/2 + 1 \geq 2k$. Since k must be an integer, if t is divisible by 4 then $t/2 \geq 2k$. \square

Lemma 4.14 *For any $x \in \mathbf{t}$ the trigon bounded by a forked extended $S2$ cycle on G_S^x may account for at most $t/2$ of the labels if $4 \nmid t$ and at most $t/2 - 1$ of the labels if $4 \mid t$.*

Proof Let σ'' be a forked extended $S2$ cycle bounding the disk face f'' . Let σ' be the outermost extended $S2$ cycle contained in f'' , and let f' be the disk face it bounds. As in the above proof of Lemma 4.13, let σ be the $S2$ cycle contained in f' . Assume we have relabeled so that σ has label pair $\{t, 1\}$ and σ' has label pair $\{t - k + 1, k\}$. Since f' accounts for $2k$ labels, f'' accounts for $2k + 1$ labels. If

$k = 1$ then $\sigma = \sigma'$, f'' accounts for 3 labels, and the lemma holds. Therefore we may assume $k \geq 2$.

Again form the complex A_1 , the annuli A_i for $i = 2, \dots, k$, the annulus A , and the corresponding trees; and again note that \mathcal{T} can have at most one vertex not in \mathcal{T}_* . Also form the complex A_{k+1} from the bigon and trigon of $f'' \setminus f'$. Note that $A_{k+1} \cap A = a_k$.

Let T_k and T'_k be the two annuli of $\widehat{T} \setminus A$ with a_k as a boundary component. Since $A_{k+1} \cap K = K_{(k, k+1)} \cup K_{(t-k, t-k+1)}$, either T_k or T'_k contains both the end points K_{k+1} and K_{t-k} (because a_k contains the end points K_k and K_{t-k+1}). Say T_k contains these end points. Since by Lemma 4.12 at most one vertex of \mathcal{T} is not in \mathcal{T}_* , either (a) T'_k corresponds to the edge t'_k of \mathcal{T} incident to the leaf of \mathcal{T} not in \mathcal{T}_* or (b) the interior of $K_{(k+1, t-k)}$ intersects T'_k nontrivially.

Case (a) Assume T'_k corresponds to an edge t'_k of \mathcal{T} incident to the leaf of \mathcal{T} not in \mathcal{T}_* . It must be the annulus A_k that together with T'_k cuts off the solid torus corresponding to this leaf. By Lemma 4.9 we may assume this leaf is not x_0 . Furthermore, by paying attention to the isotopy of Lemma 4.9 (described in the proof of Lemma 4.8) one may note that A_{k+1} is preserved. Since we may assume this leaf is not x_0 so that A_k and T'_k are parallel, the arcs of $K \cap A_k$ together with arcs contained in T'_k then bound high (or low) disks. Furthermore, as in the construction of the high disks of Lemma 3.14 shown in Figure 17, the arcs of $K \cap A_{k+1}$ together with arcs of T_k bound low (or high) disks. By Lemma 2.1, this contradicts the thinness of K .

Case (b) Assume the interior of $K_{(k+1, t-k)}$ intersects T'_k nontrivially.

If $\mathcal{T} \neq \mathcal{T}_*$, then there is a leaf of \mathcal{T} not in \mathcal{T}_* . By Lemma 4.11 the solid torus corresponding to this leaf contains A_k and hence a_k in its boundary. Thus it must contain T_k or T'_k . This contradicts our assumption that neither T_k nor T'_k has interior disjoint from K . Thus $\mathcal{T} = \mathcal{T}_*$.

Since \mathcal{T} has k edges, \mathcal{T}_* has k edges. By Remark 4.1, each edge of \mathcal{T}_* corresponds to at least two intersections of the interior of the arc $K_{(k, t-k+1)}$ with each of the k annuli $\widehat{T} \setminus A$. Since \mathcal{T} is a tree and the points K_{k+1} and K_{t-k} are contained in T_k , the interior of the arc $K_{(k+1, t-k)}$ must intersect T_k twice more so that K may intersect the interior of T'_k . Hence K intersects the interior of T_k at least 4 times.

It follows that the interior of the arc $K_{(k, t-k+1)}$ intersects \widehat{T} at least $2k + 2$ times. Therefore $t \geq 2k + 2k + 2$, ie $t/2 - 1 \geq 2k$. Since k must be an integer, if t is divisible by 4 then $t/2 - 2 \geq 2k$. Since f'' accounts for one more label than f' , it may account for at most $t/2$ labels if $4 \nmid t$ and at most $t/2 - 1$ labels if $4 \mid t$. \square

5 Two Scharlemann cycles

5.1 Accounting for labels

Let $\mathcal{F}_{\{x, x+1\}}$ be the collection of bigons and trigons of G_S^y for every $y \in \mathbf{t}$ that contain a Scharlemann cycle (of order 2 or 3) of G_S with label pair $\{x, x+1\}$. Let $\Lambda_{\{x, x+1\}}$ be the subset of labels in \mathbf{t} accounted by the faces of $\mathcal{F}_{\{x, x+1\}}$.

Lemma 5.1 *There exists an $F \in \mathcal{F}_{\{x, x+1\}}$ such that F accounts for every label in $\Lambda_{\{x, x+1\}}$.*

Proof For $F_1, F_2 \in \mathcal{F}_{\{x, x+1\}}$, say $F_1 \leq F_2$ if the set of labels for which F_1 accounts is a subset of the set of labels for which F_2 accounts. It is clear that \leq is a partial ordering. We claim that \leq indeed totally orders the finite set $\mathcal{F}_{\{x, x+1\}}$. A maximal element of $\mathcal{F}_{\{x, x+1\}}$ then accounts for every label in $\Lambda_{\{x, x+1\}}$.

Assume neither F_1 nor $F_2 \in \mathcal{F}_{\{x, x+1\}}$ are bounded by forked extended $S2$ cycles. Now F_i accounts for the labels $\{x - k_i, x - k_i + 1, \dots, x, x + 1, \dots, x + k_i, x + k_i + 1\}$ for some integer $k_i \geq 0$ for each $i = 1, 2$, since F_i is an extended $S2$ or $S3$ cycle. Thus either $F_1 \leq F_2$ or $F_2 \leq F_1$ since either $k_1 \leq k_2$ or $k_2 \leq k_1$ respectively.

By Proposition 3.21, if $F_1, F_2 \in \mathcal{F}_{\{x, x+1\}}$ are two trigons bounded by forked extended $S2$ cycles containing outermost extended $S2$ cycles with the same label pair, then they must account for the same set of labels. Thus $F_1 = F_2$ with respect to the ordering \leq .

Since a trigon bounded by a forked extended $S2$ cycle accounts for an odd number of labels whereas an extended $S2$ or $S3$ cycle accounts for an even number of labels, it follows that for any $F_1, F_2 \in \mathcal{F}_{\{x, x+1\}}$, either $F_1 \leq F_2$ or $F_2 \leq F_1$. Thus \leq is a total ordering on $\mathcal{F}_{\{x, x+1\}}$. \square

Proposition 5.2 *There exist two Scharlemann cycles on G_S each of order 2 or 3 with disjoint label pairs. Furthermore, there cannot be a third Scharlemann cycle of order 2 or 3 with label pair distinct from the other two.*

Proof Assume any Scharlemann cycle of G_S of order 2 or 3 has label pair $\{x, x+1\}$. By Lemma 5.1 there exists an $F \in \mathcal{F}_{\{x, x+1\}}$ that accounts for the labels $\Lambda_{\{x, x+1\}}$. Then by Lemma 4.13 and Lemma 4.14, $|\Lambda_{\{x, x+1\}}| \leq t/2 + 1$. Since $t \geq 6$, we have $\Lambda_{\{x, x+1\}} \neq \mathbf{t}$. Therefore there must be a second $S2$ or $S3$ cycle with label pair distinct from $\{x, x+1\}$.

Assume there are two Scharlemann cycles σ and σ' of G_S of order 2 or 3 with label pairs $\{x - 1, x\}$ and $\{x, x+1\}$ respectively. Again, by Lemma 5.1 there exists

$F \in \mathcal{F}_{\{x-1, x\}}$ that accounts for the labels $\Lambda_{\{x-1, x\}}$ and $F' \in \mathcal{F}_{\{x, x+1\}}$ that accounts for the labels $\Lambda_{\{x, x+1\}}$. Also, by Lemma 4.13 and Lemma 4.14, $|\Lambda_\lambda| \leq t/2 + 1$ for each $\lambda = \{x-1, x\}, \{x, x+1\}$. Because for each $\{x-1, x\}$ and $\{x, x+1\}$ the sequence of labels λ contains the middle of the set Λ_λ (when ordered sequentially), $|\Lambda_{\{x-1, x\}} \cup \Lambda_{\{x, x+1\}}| \leq t/2 + 1 + 1$. Since $t \geq 6$, $\Lambda_{\{x-1, x\}} \cup \Lambda_{\{x, x+1\}} \neq \mathbf{t}$. Therefore there must be a third $S2$ or $S3$ cycle σ'' in G_S with label pair distinct from the label pair of each σ and σ' .

Assume there are three Scharlemann cycles of order 2 or 3 with mutually distinct label pairs. Then two of them have disjoint label pairs and must bound faces on the same side of \hat{T} . This contradicts Lemma 3.6. \square

Pulling Lemma 5.1 and the proof of Proposition 5.2 together, there exists two bigons or trigons, say F^- and F^+ of the subgraphs G_S^x and G_S^y respectively for some $x, y \in \mathbf{t}$, that account for all the labels \mathbf{t} . Interior to F^- and F^+ are order 2 or 3 Scharlemann cycles σ^- and σ^+ respectively with disjoint label pairs. These Scharlemann cycles bound faces f^- and f^+ respectively of G_S . Let us assume we have labeled the intersections of $K \cap \hat{T}$ so that the Scharlemann cycle σ^- within F^- has label pair $\{t, 1\}$.

Lemma 5.3 $4 \nmid t$

Proof Assume $4 \nmid t$. Then by Lemma 4.13 and Lemma 4.14 the maximum number of labels for which each F^- and F^+ may account is $t/2$. In order for F^- and F^+ to account for all t labels together, their label sets must each realize this maximum and must be disjoint from one another. Since σ^- has label pair $\{t, 1\}$, F^- accounts for the labels $\{t - t/4 + 1, \dots, t, 1, \dots, t/4\}$. Therefore F^+ accounts for the labels $\{t/4 + 1, \dots, t/2, t/2 + 1, \dots, t - t/4\}$. This however implies that σ^+ has label pair $\{t/2, t/2 + 1\}$. Thus f_{σ^-} and f_{σ^+} lie on the same side of \hat{T} contradicting Lemma 3.6. \square

Lemma 5.4 F^+ and F^- are each bounded by extended Scharlemann cycles of order 2 or 3.

Proof Given that $t \geq 6$ by assumption and $4 \nmid t$ by Lemma 5.3, then it is direct to check that the bounds of Lemma 4.13 and Lemma 4.14 give us only two cases that we must consider. For both cases it turns out that σ^+ has label pair $\{t/2, t/2 + 1\}$. Without loss of generality, these two cases are:

- (1) • F^- is bounded by an extended Scharlemann cycle of order 2 or 3 that accounts for the labels $\{t - (t + 2)/4 + 1, \dots, t, 1, \dots, (t + 2)/4\}$, and

- F^+ is bounded by an extended Scharlemann cycle of order 2 or 3 that accounts for the labels $\{(t+2)/4+1, \dots, t/2, t/2+1, \dots, t-(t+2)/4\}$.
- (2) • F^- is bounded by a forked extended $S2$ cycle that accounts for the labels $\{t-(t+2)/4+2, \dots, t, 1, \dots, (t+2)/4-1, (t+2)/4\}$, and
- F^+ is bounded by a forked extended $S2$ cycle that accounts for the labels $\{(t+2)/4+1, \dots, t/2, t/2+1, \dots, t-(t+2)/4, t-(t+2)/4+1\}$.

Case (1) satisfies the lemma. Note also that since F^+ only accounts for $t/2-1$ labels it could be interior to the face of another extended Scharlemann cycle or a forked extended $S2$ cycle.

In Case (2), notice that F^- is a trigon of $G_S^{(t+2)/4}$ bounded by a forked extended $S2$ cycle with the arc $K_{((t+2)/4-1, (t+2)/4)}$ on its boundary. Similarly, F^+ is a trigon of $G_S^{t-(t+2)/4+1}$ which is bounded by a forked extended $S2$ cycle with the arc $K_{(t-(t+2)/4, t-(t+2)/4+1)}$ on its boundary. Furthermore, since $(t+2)/4-1$ and $t-(t+2)/4$ have opposite parity, these two arcs of K lie on opposite sides of \hat{T} . A high disk and a low disk may then be constructed from F^+ and F^- as in Lemma 3.14. By construction these disks may be isotoped to be disjoint. This contradicts Lemma 2.1. □

We will henceforth assume F^+ and F^- are as in Case (1) in the proof of Lemma 5.4.

5.2 Two trees

As in Section 4, from each F^- and F^+ we may construct corresponding complexes

$$A^- = \bigcup_{i=1}^{(t+2)/4-1} A_i^- \quad \text{and} \quad A^+ = \bigcup_{i=1}^{(t+2)/4-1} A_i^+$$

respectively where A_i^\pm are annuli for $i = 2, \dots, (t+2)/4-1$ and A_1^\pm are Möbius bands or complexes. Notice that A^- and A^+ are disjoint. Define the curves $a_i^\pm = \partial A_i^+ - \partial A_{i-1}^\pm$ for $2 \leq i \leq (t+2)/4-1$ and $a_1^\pm = \partial A_1^\pm$. We may further define the annulus $A_{(t+2)/4}^-$ and the curve $a_{(t+2)/4}^- = \partial A_{(t+2)/4}^- - a_{(t+2)/4-1}^-$. Note that $A_{(t+2)/4}^-$ is disjoint from A^+ too.

We may also define trees \mathcal{T}^+ , \mathcal{T}_*^+ , \mathcal{T}^- , and \mathcal{T}_*^- associated to A^+ and A^- , as well as the corresponding labelings of vertices x_1^+ , x_*^+ , x_0^+ , x_1^- , x_*^- , and x_0^- . Since the solid torus corresponding to x_0^+ must contain A_1^- and the solid torus corresponding to x_0^- must contain A_1^+ , $x_0^- \in \mathcal{T}_*^-$ and $x_0^+ \in \mathcal{T}_*^+$.

Lemma 5.5 *After perhaps a width-preserving isotopy, the highest minimum (resp. lowest maximum) below (resp. above) \hat{T} lies on an arc of K that together with an arc on \hat{T} bounds a low (resp. high) disk with interior disjoint from $A^- \cup A_{(t+2)/4}^- \cup A^+$.*

Proof Because $A^- \cup A_{(t+2)/4}^-$ and A^+ are disjoint, this lemma quickly follows from the proof of Lemma 4.10. \square

Lemma 5.6 *The interiors of the arcs of $K \setminus (A^- \cup A^+)$ intersect \widehat{T} in a single annulus of $\widehat{T} \setminus (A^- \cup A^+)$.*

Proof The interior of the arcs of $K \setminus (A^- \cup A^+)$ intersect \widehat{T} in only two points, $K_{(t+2)/4}$ and $K_{t-(t+2)/4+1}$. Since $A_{(t+2)/4}^-$ is disjoint from A^+ , $a_{(t+2)/4}^-$ is contained in a component of $\widehat{T} \setminus (A^- \cup A^+)$. The points $K_{(t+2)/4}$ and $K_{t-(t+2)/4+1}$ are contained in $a_{(t+2)/4}^-$. \square

Define $T_{(t+2)/4}$ to be this annulus of $\widehat{T} \setminus (A^- \cup A^+)$ containing $a_{(t+2)/4}^-$.

Lemma 5.7 *Assume $t \geq 10$ and $4 \nmid t$. For any annulus $R \in \widehat{T} \setminus (A^- \cup A^+)$, we have $\partial R = a_i^- \cup a_j^+$ for some $i, j \in \{1, \dots, (t+2)/4 - 1\}$.*

Proof Assume otherwise. Since $|A^- \cap \widehat{T}| = |A^+ \cap \widehat{T}| = (t+2)/4 - 2 \geq 2$, there must be two annuli, say R^+ and R^- , of $\widehat{T} \setminus (A^- \cup A^+)$ such that $\partial R^+ = a_i^+ \cup a_j^+$ and $\partial R^- = a_k^- \cup a_l^-$ for integers $1 \leq i < j \leq (t+2)/4 - 1$ and $1 \leq k < l \leq (t+2)/4 - 1$. By Lemma 5.6, at least one of these two annuli has its interior disjoint from K and is thus not $T_{(t+2)/4}$.

Consider the annulus $\bigcup_{i=2}^k A_i^-$ where $k = (t+2)/4$ and its associated trees \mathcal{T} and \mathcal{T}_* . As noted in Remark 4.1 since $k > t/4$, there exists a vertex of \mathcal{T} not in \mathcal{T}_* . By Lemma 4.11 there is a single leaf of \mathcal{T} not contained in \mathcal{T}_* . Furthermore, $A_k^- = A_{(t+2)/4}^-$ is contained in the boundary of the solid torus $X_{(t+2)/4}$ corresponding to this leaf. Thus $\partial X_{(t+2)/4} \setminus A_{(t+2)/4}^-$ is one component of $T_{(t+2)/4} \setminus a_{(t+2)/4}$. Therefore one component of $\partial T_{(t+2)/4}$ is $a_{(t+2)/4-1}^-$.

Since the other component of $T_{(t+2)/4} \setminus a_{(t+2)/4}$ has interior disjoint from K , the other component of $\partial T_{(t+2)/4}$ cannot be a_n^+ for any $1 \leq n \leq (t+2)/4 - 2$ without contradicting Lemma 4.11. Thus neither R^+ nor R^- is $T_{(t+2)/4}$.

Now consider the annuli A^+ and A^- and their corresponding trees.

If i and j have the same parity, then the torus $R^+ \cup \bigcup_{s=i+1}^j A_s^+$ separates A_1^+ from $K \setminus A^+$. Thus the vertex $x_1^+ \in \mathcal{T}^+$ is not contained in \mathcal{T}_*^+ . Lemma 4.7 then applies contradicting the thinness of K . Similarly k and l cannot have the same parity.

Since i and j have opposite parity, then R^+ corresponds to an edge of \mathcal{T}^+ that separates vertices of \mathcal{T}^+ from \mathcal{T}_*^+ . By Lemma 4.11 R^+ separates a single leaf of

\mathcal{T}^+ from \mathcal{T}_*^+ . Thus $i + 1 = j = (t + 2)/4 - 1$. This leaf corresponds to a solid torus V^+ with interior disjoint from K that contains $A_{(t+2)/4-1}^+$ in its boundary. Since V^+ contains neither A_1^+ nor A_1^- , the core of R^+ is a longitudinal curve of V^+ . It follows that there are meridional disks of V^+ which form low (or high) disks for the arcs of $A_{(t+2)/4-1}^+ \cap K$. Let D^+ be one of these disks.

Similarly since k and l have different parity, then $k + 1 = l = (t + 2)/4$ and there exists a solid torus V^- such that $\partial V^- = R^- \cup A_{(t+2)/4}^-$. Furthermore there are meridional disks of V^- which form high (or low) disks for the arcs of $A_{(t+2)/4-1}^- \cap K$. Let D^- be one of these disks.

Note that the annuli $A_{(t+2)/4-1}^+$ and $A_{(t+2)/4-1}^-$ lie on opposite sides of \hat{T} . Thus V^+ and V^- lie on opposite sides of \hat{T} . Therefore D^+ and D^- form a pair of disjoint high and low disks for K . By Lemma 2.1 this contradicts the thinness of K . \square

Lemma 5.8 *We have $\partial T_{(t+2)/4} = a_{(t+2)/4-1}^+ \cup a_{(t+2)/4-1}^-$. Furthermore, except for $T_{(t+2)/4}$ and the annulus (other than $T_{(t+2)/4}$ if $t = 6$) bounded by $a_1^+ \cup a_1^-$, all of the other annuli of $\hat{T} \setminus (A^+ \cup A^-)$ are bounded by either $a_{i-1}^+ \cup a_i^-$ or $a_{i-1}^- \cup a_i^+$ for $i \in \{2, \dots, (t + 2)/4 - 1\}$.*

Proof Lemma 5.3 implies that $4 \nmid t$. Recall that we are assuming $t \geq 6$.

The lemma follows immediately for $t = 6$ since in this case $(t + 2)/4 - 1 = 1$. We have the complexes $A^- = A_1^-$ and $A^+ = A_1^+$ and the annulus A_2^- which give the three curves a_1^- , a_1^+ , and a_2^- on \hat{T} . There are only two annuli of $\hat{T} \setminus (A^- \cup A^+)$ —one of which is $T_{(t+2)/4} = T_2$ —and both have boundary $a_1^+ \cup a_1^-$.

Lemma 5.7 which applies for $t \geq 10$ implies that each annulus of $\hat{T} \setminus (A^+ \cup A^-)$ has boundary $a_i^+ \cup a_j^-$ for some i and some $j \in \{1, \dots, (t + 2)/4 - 1\}$.

Consider the edges of the trees \mathcal{T}^+ and \mathcal{T}^- . Since each edge of \mathcal{T}^+ (resp. \mathcal{T}^-) corresponds to an annulus of $\hat{T} \setminus A^+$ (resp. $\hat{T} \setminus A^-$), such an annulus must intersect A^- (resp. A^+) exactly once. Therefore the annulus corresponding to an edge incident to a leaf of \mathcal{T}^+ (resp. \mathcal{T}^-) must intersect A^- (resp. A^+) either in a_1^- or $a_{(t+2)/4-1}^-$ (resp. a_1^+ or $a_{(t+2)/4-1}^+$). Thus each tree \mathcal{T}^+ and \mathcal{T}^- may only have two leaves and is thus homeomorphic to a line segment.

The lemma now follows for $t = 10$; see Figure 32(a) for the case $t = 10$. Hence we may assume $t \geq 14$.

Since each tree is homeomorphic to a line segment, the two annuli of $\hat{T} \setminus A^-$ (resp. $\hat{T} \setminus A^+$) with boundary containing the curve $a_{(t+2)/4-1}^-$ (resp. $a_{(t+2)/4-1}^+$) also contain

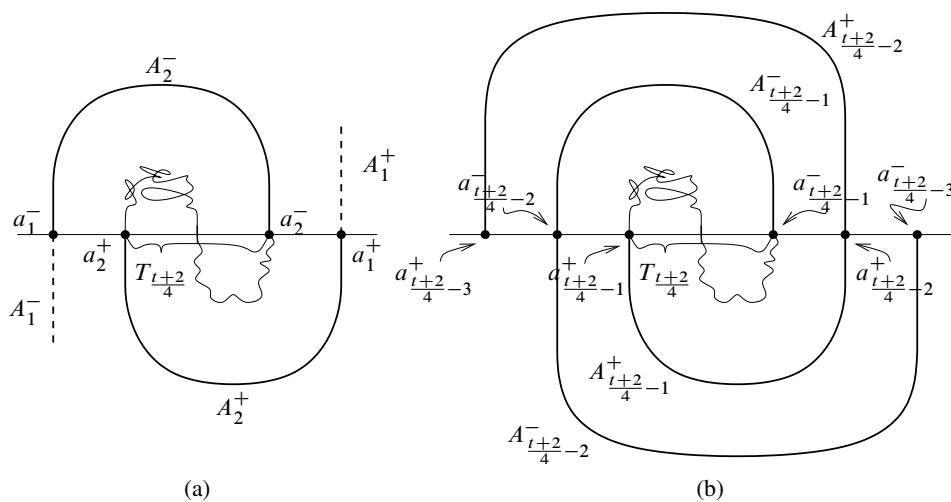


Figure 32: (a) A^+ and A^- for $t = 10$ (b) The ends of A^+ and A^- for $t > 10$

either $a_{(t+2)/4-2}^-$ or $a_{(t+2)/4-3}^-$ (resp. $a_{(t+2)/4-2}^+$ or $a_{(t+2)/4-3}^+$). Note that one of these two annuli must contain $T_{(t+2)/4}$.

By Lemma 5.7 each of these two annuli must intersect A^+ (resp. A^-) in exactly one curve. Indeed, since the annulus with boundary $a_{(t+2)/4-2}^- \cup a_{(t+2)/4-1}^-$ (resp. $a_{(t+2)/4-2}^+ \cup a_{(t+2)/4-1}^+$) corresponds to an edge of \mathcal{T}^+ which is incident to a leaf, it must intersect either a_1^+ or $a_{(t+2)/4-1}^+$ (resp. a_1^- or $a_{(t+2)/4-1}^-$).

If it intersects a_1^+ (resp. a_1^-), then the other annulus must contain $T_{(t+2)/4}$. In this case,

$$\partial T_{(t+2)/4} = a_{(t+2)/4-1}^- \cup a_2^+ \quad (\text{resp. } a_{(t+2)/4-1}^+ \cup a_2^-).$$

Moreover, $T_{(t+2)/4}$ must thus be contained in the annulus of $\widehat{T} \setminus A^+$ (resp. $\widehat{T} \setminus A^-$) with boundary $a_1^- \cup a_2^-$ (resp. $a_1^+ \cup a_2^+$). This however forces $a_2^- = a_{(t+2)/4-1}^-$ (resp. $a_2^+ = a_{(t+2)/4-1}^+$). Hence $t = 10$ contrary to our assumption. This implies

$$\partial T_{(t+2)/4} = a_{(t+2)/4-1}^+ \cup a_{(t+2)/4-1}^-.$$

Because each \mathcal{T}^+ and \mathcal{T}^- is homeomorphic to a line segment, A^+ and A^- spiral around one another as in Figure 32(b). The remainder of the lemma then follows. \square

Theorem 5.9 $t \leq 6$

Proof This proof is phrased and its figures drawn so that $A_{(t+2)/4}^-$ is above \widehat{T} . Lemma 5.3 implies that $4 \nmid t$. Hence we assume $t \geq 10$. If $t \equiv 2 \pmod 8$, this coincides

with our convention that $K_{(t,1)}$ is below \widehat{T} . If $t \equiv 6 \pmod 8$, then one ought to flip the figures and make the appropriate corresponding changes to the language.

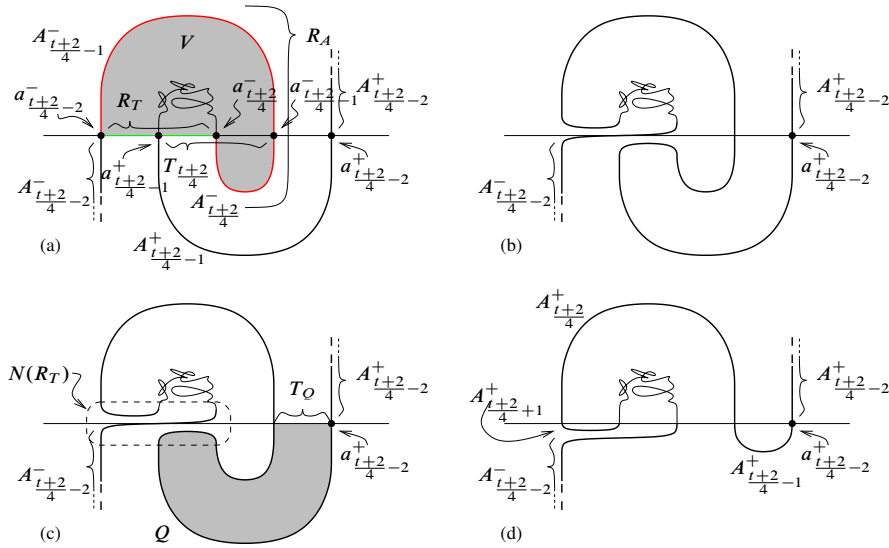


Figure 33: (a) The “ends” of A^+ and A^- , $A_{(t+2)/4}^-$, A_R , T_R , and V (b) The result of an unfurling isotopy along $R = A_R \cup T_R$ (c) The subannulus $Q \subseteq \Theta_{2\pi}(A^+)$ and the subannulus $T_Q \subseteq \widehat{T}$ (d) An isotopy of Q towards T_Q and a further slight isotopy in $N(T_R)$

By Lemma 5.8, the “ends” of A^+ and A^- are as in Figure 32. Let T_R be the annulus on \widehat{T} bounded by $a_{(t+2)/4}^-$ and $a_{(t+2)/4-2}^-$ that contains $a_{(t+2)/4-1}^+$. Let A_R be the union $A_{(t+2)/4-1}^- \cup A_{(t+2)/4}^-$. By Lemma 4.6, the torus $R = T_R \cup A_R$ bounds a solid torus V . Note that V contains the two arcs $K - (A^+ \cup A^- \cup A_{(t+2)/4}^-)$ in its interior, the arcs $K \cap (A_{(t+2)/4-1}^- \cup A_{(t+2)/4}^-)$ on its boundary, as well as the points $K \cap a_{(t+2)/4-1}^+$ on its boundary. See Figure 33(a).

Let δ and δ' be parallel simple closed curves on R that transversely cross T_R and A_R just once so that $(\delta \cup \delta') \cap A_R = K \cap A_R$ and $(\delta \cup \delta') \cap a_{(t+2)/4-1}^+ \subseteq K \cap a_{(t+2)/4-1}^+$. Orient δ so that it crosses from T_R into $A_{(t+2)/4}^-$. Although K intersects the interior of T_R in two points, we may perform a Dehn twist Θ_u along the torus R in the direction of δ analogous to the unfurling isotopy of Lemma 4.5. We must mind the effect of the isotopy on the arcs $K \cap N(a_{(t+2)/4-1}^+)$.

The annulus $\Theta_{2\pi}(A_R)$ lies as T_R . A slight further isotopy makes this annulus and the arcs of $\Theta_{2\pi}(K)$ on it transverse to the height function. These arcs of K now have no

critical points; at least four fewer than before the isotopy. The critical points of K that were on $A_{(t+2)/4-1}^-$ and $A_{(t+2)/4}^-$ have been removed. See Figure 33(b).

The annulus $A_{(t+2)/4-1}^+$ (slightly extended through $N(R)$) near $a_{(t+2)/4-1}^+$ is spun once around the meridian of R by Θ_u . The resulting annulus may be regarded as the double-curve sum of $A_{(t+2)/4-1}^+$ with R (suitably oriented). The arcs of $\Theta_{2\pi}(K)$ on this annulus may similarly be regarded as resulting from this double-curve sum of $K \cap N(A_{(t+2)/4-1}^+)$ with the two curves δ and δ' on R . A further slight isotopy with support in $N(T_R)$ makes this resulting annulus and arcs of $\Theta_{2\pi}(K)$ on it transverse to the height function. We may further assume that after these isotopies the arcs of $\Theta_{2\pi}(K \cap N(a_{(t+2)/4-1}^+))$ in $N(T_R)$ each have just one critical point. See again Figure 33(b). Indeed, outside of $N(T_R)$, we have $K = \Theta_{2\pi}(K)$ and $A^- \cup A_{(t+2)/4}^- \cup A^+ = \Theta_{2\pi}(A^- \cup A_{(t+2)/4}^- \cup A^+)$.

After these isotopies there are four “new” critical points of $\Theta_{2\pi}(K)$: two minima just above \hat{T} and two maxima just below \hat{T} . Due to these critical points, the width of $\Theta_{2\pi}(K)$ is currently greater than the width of K .

Consider the subannulus Q of $\Theta_{2\pi}(A^+)$ lying between the curves formerly labeled $a_{(t+2)/4-1}^-$ and $a_{(t+2)/4-2}^+$. Let T_Q be the subannulus of \hat{T} bounded by ∂Q with interior disjoint from $\Theta_{2\pi}(K)$. Note that Q is parallel to T_Q through the solid torus that they together bound. This solid torus and the annuli Q and T_Q are shown in Figure 33(c). We may isotop Q along with the arcs of $\Theta_{2\pi}(K) \cap Q$ towards T_Q so that the arcs $\Theta_{2\pi}(K) \cap Q$ after this isotopy each have only one minimum just below \hat{T} . We may also slightly isotop the other annuli and arcs of the knot in $N(T_R)$ downwards so that the minima that were just above \hat{T} are now just below \hat{T} . The result of these isotopies may be seen in Figure 33(d). Notice the collection of annuli and arcs of K now above \hat{T} is indistinguishable from the collection of annuli and arcs of K above \hat{T} prior to the isotopies. Furthermore, notice that (mainly due to the isotopy of Q) the width of the resulting position of the knot is at most the width of K . Since K was originally in thin position, these widths must be equal.

Let us continue to refer to the annuli A_i^\pm that are unaffected by these isotopies by their former labels. The annulus $A_{(t+2)/4-2}^-$ has been elongated (in a height-preserving manner) with $\Theta_{2\pi}(A_R)$; we shall also refer to this elongated annulus by $A_{(t+2)/4-2}^-$. After the isotopies, $\Theta_{2\pi}(A_{(t+2)/4-1}^+)$ is cut into three annuli by \hat{T} . Let us use $A_{(t+2)/4-1}^+$ to refer to the isotoped annulus Q and the subsequent two annuli as $A_{(t+2)/4}^+$ and $A_{(t+2)/4+1}^+$. Note that the post-isotopies annulus $A_{(t+2)/4}^+$ coincides with the pre-isotopies annulus $A_{(t+2)/4-1}^-$. Again, see Figure 33(d). Note also that \hat{T} remains a thick level.

Prior to any isotopies in this proof, Lemma 5.5 implies that the lowest maximum of K above \hat{T} lies on an arc κ of $K \setminus \hat{T}$ that together with an arc τ of \hat{T} bounds a high disk Δ with interior disjoint from $A^+ \cup A^-$. Since the interior of Δ is disjoint from $A_{(t+2)/4-1}^-$, either $\tau \subseteq T_R \cup T_{(t+2)/4}$ or $\tau \subseteq \hat{T} - \text{Int}(T_R \cup T_{(t+2)/4})$. Because the annuli and arcs of K above \hat{T} before the isotopies are indistinguishable from the annuli and arcs of K above \hat{T} after the isotopies, the high disk Δ exists after these isotopies too.

After the isotopies, an arc of K on the annulus $A_{(t+2)/4+1}^+$ bounds a low disk Δ_{+1} with an arc of $T_R \setminus T_{(t+2)/4}$, and an arc of K on the annulus $A_{(t+2)/4-1}^+$ bounds a low disk Δ_{-1} with an arc of T_Q . Note that the interior of τ is disjoint from at least one of $\Delta_{+1} \cap \hat{T}$ or $\Delta_{-1} \cap \hat{T}$. Since the position of K after the isotopies has width at most that of K before the isotopies, Δ together with either Δ_{+1} or Δ_{-1} forms a pair of high and low disks that by Lemma 2.1 contradict the thinness of the original thin position of K . \square

6 The case $t = 6$

In this section we show that if K is in thin position, then $t \neq 6$. Assuming $t = 6$, our approach is to isotop $\text{Int } S$ fixing K so that we may gain an understanding of the resulting pieces of $S \setminus T$ on each side of \hat{T} . Then since there are $3s$ arcs of $S \cap T$ and $s \geq 4g - 1$, we obtain conflicting estimates on the Euler characteristic of S .

6.1 Isotopies of S

By Lemma 5.4 we may assume that among the graphs G_S^x for $x \in \mathbf{t}$ there is a face F bounded by an extended $S2$ cycle or an extended $S3$ cycle accounting for the labels $\{1, 2, 5, 6\}$ and a face g bounded by an $S2$ cycle or an $S3$ cycle accounting for the labels $\{3, 4\}$. Let f be the face of G_S in F bounded by the Scharlemann cycle.

Proposition 6.1 *After perhaps reassigning labels of \mathbf{t} by $x \mapsto 7 - x$, one may isotop the interior of S so that for some integer $n \geq 0$ the following holds:*

- (1) • *The resulting arcs of $S \cap T$ are essential in S and in T , and*
 • *either $|S \cap T|$ remains minimized over isotopies of $\text{Int } S$ or there exists annuli in $S \setminus T$.*
- (2) • *For each label pair $\lambda = \{1, 6\}, \{2, 5\}, \{3, 4\}$ there are $s - n$ edges of G_S with label pair λ , and they lie in an essential annulus in \hat{T} ,*

- for each label pair $\lambda = \{1, 4\}, \{2, 3\}, \{5, 6\}$ there are n edges of G_S with label pair λ and
 - for each label pair $\lambda = \{1, 2\}, \{3, 6\}, \{4, 5\}$ there are no edges of G_S with label pair λ .
- (3) • If f is a bigon, then there are $(s - n)/2$ faces of $S \cap X^-$ parallel to f , and
- if f is a trigon, then there are either $(s - n)/3$ or $(s - 2n)/3$ faces of $S \cap X^-$ parallel to f .
- (4) • If g is a bigon then $S \cap X^+$ is a collection of $3(s - n)/2$ bigons and n trigons, and
- if g is a trigon then $S \cap X^+$ is either a collection of $s - 2n$ bigons and $(s + 4n)/3$ trigons or a collection of $s - n$ bigons and $(s + 2n)/3$ trigons.

Let V be the solid torus component of $X^+ \setminus (\bar{N}(K) \cup F)$. Let W be the solid torus $X^+ \setminus (V \cup \bar{N}(K) \cup g)$. Let T_V be the annulus of $\hat{T} \cap V$ so that T_V is bounded by edges of G_T with label pairs $\{1, 6\}$ and $\{2, 5\}$. Observe that $\partial V \setminus T_V$ is parallel through V onto T_V . Let T_W and T'_W be the two annuli of $\hat{T} \cap W$ where T_W is bounded by edges of G_T with label pairs $\{3, 4\}$ and $\{1, 6\}$ and T'_W is bounded by edges of G_T with label pairs $\{3, 4\}$ and $\{2, 5\}$. See Figure 34.

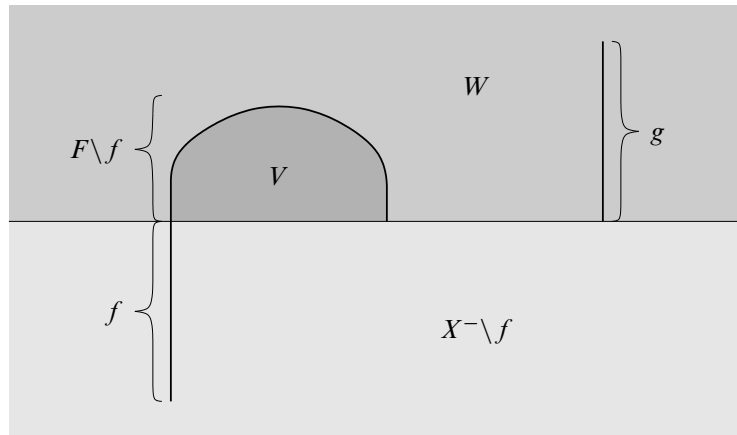


Figure 34: The solid tori V , W , and $X^- \setminus f$ schematically

To prove Proposition 6.1 we begin in V and push what we can of S along F through X^- into W and back into X^- . When in W we also use g to guide the isotopy. This puts $S \cap X^+$ into a position that we can understand and count. The unknown parts of $S \cap X^-$ are dealt with in subsequent subsections.

6.1.1 Pushing S along bigons and trigons We say two edges e and e' of G_T are *parallel* if they bound an embedded bigon on T . We say two faces R and R' of $S \setminus T$ are *parallel* if R and R' cobound a product region in $(X - N(K)) \setminus T$.

Similarly we say two edges of G_T or two faces of $S \setminus T$ are *adjacent* if they are parallel and no other edge or face respectively lies between them.

Lemma 6.2 *Let R and R' be two disks of $S \setminus T$ such that ∂R is parallel to $\partial R'$ on $\partial(X^\pm - N(K))$. Then R is parallel to R' . Furthermore, every face of $S \setminus T$ in the product region between R and R' is a disk parallel to R and R' .*

Proof Since ∂R is parallel to $\partial R'$, there is an annulus A on $\partial(X^\pm - N(K))$ connecting them. Thus $R \cup A \cup R' \cong S^2$. Since $X^\pm - N(K)$ is irreducible, $R \cup A \cup R'$ is the boundary of a solid ball. This ball is the requisite product region $R \times [0, 1]$.

If $P \in S \setminus T$ is contained in the ball bounded by $R \cup A \cup R'$, then each component of ∂P is an essential curve in A . Since P must be incompressible, P is a disk. It follows that P is parallel to both R and R' . \square

Lemma 6.3 *If B and B' are two bigons of G_S on the same side of \hat{T} with edges $e_1 \subseteq B$ and $e'_1 \subseteq B'$ that are parallel as edges of G_T , then B and B' are parallel in X .*

Proof We have the edges e_1 and e'_1 of B and B' respectively which are parallel on T . Let e_2 and e'_2 be the other edges of B and B' respectively. Note that e_2 and e'_2 have the same label pair.

Assume B and B' are not parallel. By Lemma 6.2 B and B' the edges e_2 and e'_2 lie in an essential annulus A . Due to the existence of f and g , Lemma 3.3 implies that the core of A does not bound a disk in X .

Join B and B' together along their corners and their parallel edges e_1 and e'_1 . This forms a disk in X whose boundary is an essential curve in A giving a contradiction. \square

Lemma 6.4 *Let R be a region of $S \setminus T$ in X^+ . Let D be a boundary compressing disk for R in $X^+ - N(K)$. Let $D \cap R = \alpha$ and $D \cap T = \tau$. Assume that α is not parallel on R to a corner of R . Then there exists an isotopy of $\text{Int } S$ with support in $N(D)$ such that after the isotopy*

- in X^+ , R is replaced by the result of boundary compression of R along D ,
- in X^- , the regions of $S \cap X^-$ incident to τ are joined by surgery (restricted to X^-) along τ ,
- each arc of $S \cap T$ is essential in both S and T and

- if τ connects distinct components of $R \cap T$ then such components are arcs and $|S \cap T|$ remains minimized.

The same holds with X^+ and X^- interchanged.

Remark 6.1 This is the type A isotopy described by Jaco [10].

Proof Consider the isotopy of S with support in $N(D)$ that pushes the arc $\alpha \subseteq R$ through D . The lemma follows directly.

In X^+ , this isotopy is effectively a boundary compression of R along D . Such a compression could only create a monogon if α were parallel to a corner of R . We however explicitly avoid this case. In X^- , this isotopy is effectively surgery of S along the arc τ restricted to X^- . Such a surgery cannot create a monogon. See Figure 35.

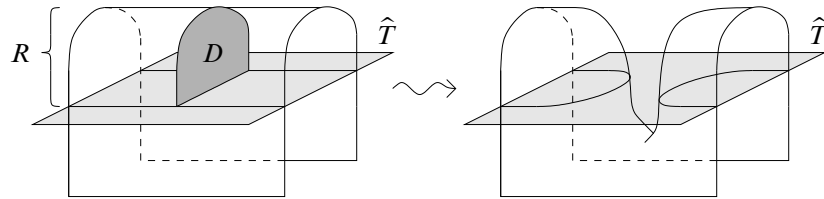


Figure 35: The isotopy of R through D

Indeed, restricting our view to just $S \cap T$ on T , this isotopy has the effect of surgering $R \cap T$ along τ . If τ has both end points on the same component of $\gamma \in R \cap T$, then there is an arc $\gamma_0 \subseteq \gamma$ connecting the end points of τ . The isotopy will then render γ into the two components $\gamma_0 \cup \tau'$ and $(\gamma - \gamma_0) \cup \tau''$ where τ' and τ'' are suitable pushoffs of τ .

If τ has its endpoints on distinct arc components of $R \cap T$, then $|S \cap T|$ remains unchanged after the isotopy. However, if a simple closed curve of $R \cap T$ contains just one end point of τ , then such an isotopy would reduce $|S \cap T|$ contradicting the assumed minimality of $|S \cap T|$. \square

Lemma 6.5 Let B and R be regions of $S \setminus T$ on the same side of \hat{T} such that B is a bigon and there is an edge of B adjacent to an edge of R . Then either

- R is a bigon parallel to B ,
- R is a trigon or

- there is an isotopy of $\text{Int } S$ supported in $N(B \cup R)$ such that after the isotopy R is replaced by a bigon B' parallel to B and a region R' with two fewer corners than R and two edges of regions (or of a single region) of $S \setminus T$ on the opposite side of \hat{T} are joined by surgery along an arc on T .

Furthermore in the last case the isotopy preserves the property that each arc of $S \cap T$ is essential in both S and T . If the two edges are distinct, then $|S \cap T|$ remains minimized over all isotopies of $\text{Int } S$. If the two edges are not distinct, then R' is not a disk.

Proof We will construct a disk D that gives a boundary compression for R in cut exterior $(X - N(K)) \setminus T$ and then apply Lemma 6.4. The desired disk D is a pushoff of B with two corners and an edge on R and remaining edge on T .

Let e_B and e_R be the adjacent edges of B and R . Together they bound a bigon δ of $T \setminus S$. Let e'_B be the other edge of B . Assume e_B and e_R have label pairs $\{x, y+1\}$ so that, by the parity rule, the corners of B are on $\partial H_{(x, x+1)}$ and $\partial H_{(y, y+1)}$. It may be the case that $x = y$. Note that the corners of R adjacent to e_R bound rectangles $\rho_{(x, x+1)} \subseteq \partial H_{(x, x+1)}$ and $\rho_{(y, y+1)} \subseteq \partial H_{(y, y+1)}$ with the corners of δ , the corners of B , and arcs on the vertices U_{x+1} and U_y . Since $\rho_{(x, x+1)}$ and $\rho_{(y, y+1)}$ have their interiors disjoint from S , we form a disk D that is a slight pushoff of the disk $B \cup \delta \cup \rho_{(x, x+1)} \cup \rho_{(y, y+1)}$. Notice that ∂D is composed of an arc α of R and an arc τ of $T \setminus S$. The arc α is a slight pushoff of the edge e_R and the two corners of R to which it is incident.

Assume R is neither a bigon nor a trigon. Then α is not parallel on R either to a corner or into an edge of R . Thus we may apply the isotopy of Lemma 6.4. If the endpoints of τ lie on a single component of $R \cap T$ then the component of ∂R containing e_R has just two edges. Since R is not a bigon, it cannot be a disk. Thus after the isotopy R' is not a disk.

If R is a bigon, then Lemma 6.3 implies that R is parallel to B . □

The above lemma applies directly if B is a face of G_S bounded by an S_2 cycle. If B is a face of G_S bounded by an S_3 cycle, we may obtain a similar statement.

Lemma 6.6 *Let B be a face of G_S bounded by an S_3 cycle. Let R be a region of $S \setminus T$ on the same side of \hat{T} as B such that there is an edge of B adjacent to an edge of R . Further assume this edge of R is not between the two parallel edges of B . Then either*

- R is a trigon parallel to B ,

- R is a tetragon or
- there is an isotopy of $\text{Int } S$ supported in $N(B \cup R)$ such that after the isotopy R is replaced by a trigon B' parallel to B and a region R' with three fewer corners than R and two edges of regions (or of a single region) of $S \setminus T$ on the opposite side of \hat{T} are joined by surgery along an arc on \hat{T} .

Furthermore in the last case the isotopy preserves the property that each arc of $S \cap T$ is essential in both S . If the two edges are distinct, then $|S \cap T|$ remains minimized over all isotopies of S . If the two edges are not distinct, then R' is not a disk.

Proof Again, we will construct a disk D that gives a boundary compression for R in $(X - N(K)) \setminus T$ and then apply Lemma 6.4. The desired disk D is a pushoff of B with three corners and two edges on R and remaining edge on T .

Let e_B and e_R be the adjacent edges of B and R . Together they bound a bigon δ of $T \setminus S$. Assume e_B and e_R have label pairs $\{x, x+1\}$ so that the corners of B are on $\partial H_{(x, x+1)}$. Note that the corners of R adjacent to e_R bound rectangles $\rho, \rho' \subseteq \partial H_{(x, x+1)}$ with the corners of δ , two corners of B , and arcs on the vertices U_x and U_{x+1} .

Two of the three edges of B are parallel on T . These two edges bound a bigon δ_B on T . By assumption, $e_R \not\subseteq \delta_B$. Nevertheless, following around the component of ∂R containing e_R , one of the edges before or after e_R is contained in δ_b and is adjacent to an edge of B other than e_B . Let e'_B and e'_R be these edges of B and R respectively. Let δ' be the bigon of $T \setminus S$ bounded by e'_B and e'_R .

We may assume that the rectangle ρ' is bounded by the corner of B that connects the edges e_B to e'_B , the corner of R that connects the edges e_R to e'_R , and a corner of each δ and δ' . The next corner of R then bounds a rectangle $\rho'' \subseteq \partial H_{(x, x+1)}$ with the next corner of B , a corner of δ' and an arc on one of the vertices U_x or U_{x+1} .

Since ρ , ρ' , and ρ'' have their interiors disjoint from S , we form a disk D that is a slight pushoff of the disk $B \cup \delta \setminus \delta' \cup \rho \cup \rho' \cup \rho''$. Notice that ∂D is composed of an arc α of R and an arc τ of $T \setminus S$. The arc α is a slight pushoff of the edges e_R and e'_R , the corner between them and the two corners surrounding them.

The remainder of this proof follows completely analogously to the above proof of Lemma 6.5.

Assume R is neither a trigon nor a tetragon. Then α is not parallel on R either to a corner or into an edge of R . Thus we may apply the isotopy of Lemma 6.4. If the endpoints of τ lie on a single component of $R \cap T$ then the component of ∂R

containing e_R has just three edges. Since R is not a trigon, it cannot be a disk. Thus after the isotopy R' is not a disk.

If R is a trigon, then a proof analogous to that of Lemma 6.3 implies that R is parallel to B . \square

6.1.2 Arranging S in the solid torus V Before performing any isotopies of S we need to see how it may presently be positioned in V .

Lemma 6.7 *Each region $R \in S \cap V$ is either a bigon parallel to a bigon of $F \setminus f$, a meridional disk of V with an odd number of at least 3 corners, or an annulus with two corners.*

Proof Choose an orientation on S . Such a choice induces an orientation on each $R \in S \cap V$ which in turn induces an orientation on each boundary component of R . Let us then consider the collection of oriented simple closed curves $\mathcal{C} = \{\partial R \mid R \in S \cap V\}$ as they lie on the torus ∂V . The collection \mathcal{C} may contain both trivial and essential curves on ∂V .

Let γ be an (arbitrarily oriented) essential circle on ∂V disjoint from \hat{T} intersecting each corner of each $R \in S \cap V$ (ie each arc of $C \cap \partial \bar{N}(K)$ for each $C \in \mathcal{C}$) exactly once. Since a corner of an $R \in S \cap V$ is an arc on either $\partial H_{(1,2)}$ or $\partial H_{(5,6)}$, γ may be divided into two arcs, say γ_+ and γ_- , according to the direction in which a curve $C \in \mathcal{C}$ crosses the arc.

If $C \in \mathcal{C}$ is a trivial curve on ∂V , then C must be the boundary of a disk of $S \cap V$. If $C \cap \gamma = \emptyset$, then C is a trivial curve on T . Since C bounds a disk in S and a disk in T , these disks together form a sphere in V which bounds a solid ball in V . This implies that there exists an isotopy of S that reduces $|S \cap T|$ contradicting the assumption that $|S \cap T|$ is minimized. Thus $C \cap \gamma \neq \emptyset$.

Since C bounds a disk on ∂V , γ must alternately cross in and out of the disk that C bounds. Therefore the direction in which C crosses γ alternates around γ . Because γ is divided into the two arcs γ_+ and γ_- that dictate the direction in which C may cross, C must intersect γ only twice. Hence C is the boundary of a bigon. Such a bigon has one corner on $K_{(1,2)}$ and one corner on $K_{(5,6)}$. Since C is a trivial curve on ∂V , the bigon it bounds must be parallel to one of the bigons of $F \setminus f$.

If $C \in \mathcal{C}$ is a meridional curve, then it intersects γ algebraically once. Hence $|C \cap \gamma|$ is odd. Furthermore, C must bound a disk region in S since otherwise there would be a compression of S . Since there are no monogons of $S \setminus T$, we know that $|C \cap \gamma| > 1$. Thus any meridional disk of $S \cap V$ has an odd number of at least three corners.

Assume $C \in \mathcal{C}$ is an essential nonmeridional curve on ∂V . Since $C \subseteq \partial R$ for some $R \in S \cap V$, then $\partial R \subseteq \mathcal{C}$ is a collection of essential nonmeridional curves on ∂V that is nullhomologous in V . Since R is incompressible, R must be an annulus. Let C' be the other component of ∂R .

Let A be an annulus on ∂V between C and C' oriented so that the orientations of C and C' respect the induced boundary orientation. In order for the curves C and C' to intersect each γ_+ and γ_- in the prescribed directions either γ crosses A transversely once, γ intersects A once but is disjoint from one component of ∂A , or ∂A is disjoint from γ . Thus the annulus R has respectively one corner and one edge on each boundary component, one boundary component in \hat{T} and one with two corners and two edges, or both boundary components in \hat{T} . However, if both boundary components of R are in \hat{T} , then R is isotopic onto A within V (since the annulus $\partial V \setminus T_V$ is parallel to A through V). Thus there is an isotopy of S that reduces $|S \cap T|$ contradicting the assumption that $|S \cap T|$ is minimized. Therefore an annulus of $S \cap V$ must have exactly two corners. \square

Lemma 6.8 *Assume $P \in S \cap V$ is a trigon and $R \in S \cap V$ is a meridional disk of V distinct from P . Then R has an edge parallel on \hat{T} to an edge of a bigon of $S \cap V$ such that no edge of P lies between these edges. Furthermore, if R is also a trigon, it is parallel to P .*

Proof We continue with the setup of the proof of Lemma 6.7.

As $\partial P \subseteq \partial V$ must cross γ geometrically three times and algebraically once, cut torus $\partial V \setminus (\partial P \cup \gamma)$ consists of three components. Two of the components are disks, say D_1 and D_2 , each with boundary composed of an arc of ∂P and an arc of γ . The third component is a disk with boundary composed alternately of four arcs of ∂P and four arcs of γ . Note that each disk D_1 and D_2 corresponds to a parallelism on T between an edge of P and an edge of a bigon of $S \cap V$.

The two disks D_1 and D_2 meet at a point p of $\partial P \cap \gamma$ where ∂P crosses γ in a direction opposite that of the other two points. Without loss of generality, we may assume $p \in \gamma_+$ and $(\partial P \cap \gamma) - p \in \gamma_-$. Thus $\gamma_+ \subseteq (D_1 \cup D_2) \cap \gamma$. Since ∂R must intersect γ_+ , $\partial R \cap D_i \neq \emptyset$ for either $i = 1$ or 2 . An arc of $\partial R \cap D_i$ then cuts off a disk disjoint from ∂P that corresponds to a parallelism between an edge of R and an edge of a bigon of $S \cap V$. This parallelism does not contain an edge of ∂P .

Furthermore, if R is a trigon then $|\partial R \cap \gamma| = 3$. The end points of an arc of $\partial R \cap D_i$ for $i = 1$ or 2 account for two of these intersections. In the complement of ∂P , there is only one way to complete this arc into an essential simple closed curve that crosses

γ just once more. The rectangle on D_i between $\partial P \cap D_i$ and $\partial R \cap D_i$ extends to an annulus between ∂P and ∂R . This annulus is cut into three rectangles by γ . These rectangles imply each edge of R is parallel to an edge of P and hence ∂R is parallel to ∂P on $\partial(X^+ - N(K))$. Thus by Lemma 6.2 R is parallel to P . \square

Proposition 6.9 *Let B_1 and B_2 be the two bigons of $F \setminus f$ on ∂V . Then one may isotop $\text{Int } S$ so that*

- $S \cap V$ is a collection of bigons parallel to either B_1 or B_2 and a collection of mutually parallel trigons,
- each arc of $S \cap T$ is essential in both S and T and
- $|S \cap T|$ remains minimized.

Proof By Lemma 6.7, a region $R \in S \cap V$ is either a bigon parallel to either B_1 or B_2 , a meridional disk of V with an odd number of edges, or an annulus with two corners.

We first note that $S \cap V$ cannot simultaneously contain meridional disks of V and annuli. If an annulus Q of $S \cap V$ were to exist with a meridional disk of $S \cap V$, then the curves ∂Q and its core curve must all be meridional curves. Thus the core curve of Q must bound a disk in V . This disk implies S is compressible contradicting that it is incompressible. Hence we consider annuli and meridional disks of $S \cap V$ separately.

Case 1 $S \cap V$ contains annuli.

Let \mathcal{Q} be the collection of annuli of $S \cap V$. By the proof of Lemma 6.7, all the annuli in \mathcal{Q} either (a) have one boundary component contained in T_V or (b) have each boundary component intersecting the annulus T_V in a single spanning arc. We will refer to such annuli as type (a) or type (b) accordingly.

Since properly embedded annuli in a solid torus are parallel into the boundary torus, each $Q \in \mathcal{Q}$ is isotopic to an embedded annulus Q' in ∂V bounded by ∂Q . Let $V_Q \subseteq V$ be the solid torus through which Q is parallel to Q' . If $Q_1 \in \mathcal{Q}$ is contained in V_Q , then Q_1 is parallel to an annulus $Q'_1 \subseteq Q'$. If $Q_2 \in \mathcal{Q}$ is not contained in V_Q , then it is parallel to an annulus $Q'_2 \subseteq \partial V$ such that either $Q'_2 \cap Q' = \emptyset$ or $Q' \subseteq Q'_2$. Let \mathcal{Q}' be a collection of annuli in ∂V to which the annuli of \mathcal{Q} are parallel. We may assume \mathcal{Q}' has been chosen so that it is partially ordered by nesting.

Choose a meridional curve $m \subseteq \partial V$ for V such that for each $Q' \in \mathcal{Q}'$ $m \cap Q' \subseteq \hat{T}$ is a collection of spanning arcs of Q' . Thus there exists a meridional disk D with $\partial D = m$ such that D intersects each annulus $Q \in \mathcal{Q}$ in transverse arcs that are isotopic through a subdisk of D onto \hat{T} . Though there may be several, let us choose such a

subdisk D_Q of D for each $Q \in \mathcal{Q}$ (and corresponding $Q' \in \mathcal{Q}'$). Since the $Q' \in \mathcal{Q}'$ are nested on ∂V , the disks D_Q are nested on D . Consider a disk D_Q outermost on D and its corresponding annulus Q . Note that $\text{Int } D_Q \cap S = \emptyset$ and $\partial D_Q \cap S \subseteq Q$ is not parallel to any corner of Q . Thus there is an isotopy of S through D_Q with support in $N(D_Q)$ as in Lemma 6.4.

Assume $Q \in \mathcal{Q}$ is an annulus of type (a). Since one component of ∂Q before the isotopy is wholly contained in \hat{T} , after the isotopy the components of $\partial Q \cap \hat{T}$ that contained $\partial\delta$ are joined. Thus $|S \cap T|$ is reduced contradicting the original minimality assumption on $|S \cap T|$. Hence \mathcal{Q} contains no annuli of type (a).

Assume $Q \in \mathcal{Q}$ is an annulus of type (b). Since $\partial Q \cap \hat{T}$ is composed of two arcs before the isotopy, the isotopy exchanges them for two new arcs. Moreover, viewing the isotopy of Q as a boundary compression along D_Q , it follows that Q becomes a bigon parallel to a bigon of $F \setminus f$. A similar isotopy may be then performed for each remaining annulus of \mathcal{Q} .

Case 2 $S \cap V$ contains meridional disks.

A meridional disk $R \in S \cap V$ must have an edge parallel to an edge of B_1 or B_2 . If not, each edge of ∂R would necessarily have the same label pair and must lie in the annulus T_V . Thus if R is an n -gon, ∂R would intersect a longitude of V minimally n times on ∂V . Since R cannot be a monogon, this contradicts that R is a meridional disk.

Recall that by Lemma 6.7 each bigon of $S \cap V$ is parallel to either B_1 or B_2 . Let R be a nonbigon face of $S \cap V$ such that R has an edge e_R adjacent to an edge of a bigon B of $S \cap V$. If R is not a trigon, then by Lemma 6.5 there exists an isotopy of $\text{Int } S$ in $N(B \cup R)$ yielding in V a bigon parallel to either B_1 or B_2 and a meridional disk of V with two fewer corners than R . Perform such isotopies until each nonbigon face of $S \cap V$ with an edge adjacent to an edge of a bigon of $S \cap V$ is a trigon.

Now after all the isotopies thus far, assume there exists a nonbigon, nontrigon face $R \in S \cap V$. Then since by assumption $S \cap V$ contains no annuli, Lemma 6.7 implies that R is a meridional disk of V with at least 5 corners. By Lemma 6.8 the trigons of $S \cap V$ are mutually parallel. The same lemma then also implies that R has an edge e_R parallel to an edge e_B of B_1 or B_2 such that no edge of a trigon of $S \cap V$ lies between e_R and e_B . But then in between e_R and e_B there must be an edge of a nonbigon, nontrigon face of $S \cap V$ that is adjacent to an edge of a bigon of $S \cap V$. This contradict that we have isotoped S so that each nonbigon face of $S \cap V$ with an edge adjacent to an edge of a bigon of $S \cap V$ is a trigon. \square

6.1.3 Arranging S near f in X^- Perform the isotopy of Proposition 6.9. By relabeling if necessary, we may assume that the edges of the trigons of $S \cap V$ that are not parallel to edges of bigons of $S \cap V$ connect the vertices U_5 and U_6 . Thus because the edges of g (which is an S_2 cycle or an S_3 cycle with label pair $\{3, 4\}$) obstruct them, there are no edges of G_T connecting U_1 to U_2 in \hat{T} . Also, since the trigons of $S \cap V$ are all mutually parallel, there are at most three parallelism edge classes of G_T in T_V incident to U_6 .

Proposition 6.10 *Fixing $S \cap V$, one may isotop $\text{Int } S$ so that*

- if $R \in S \cap X^-$ has an edge with label pair $\{1, 6\}$ that does not lie between two parallel edges of f , then R is parallel to f ,
- if $R \in S \cap X^-$ is not parallel to f but has an edge with label pair $\{1, 6\}$, then the corners of R incident to this edge are also incident to edges with label pairs $\{1, 4\}$ and $\{5, 6\}$,
- there are no edges of G_T with label pairs $\{1, 2\}$ or $\{3, 6\}$,
- each arc of $S \cap T$ is essential in both S and T and
- either $|S \cap T|$ remains minimized or $S \cap T$ contains essential simple closed curves in the annulus on T between edges with label pairs $\{1, 6\}$ and $\{3, 4\}$.

Proof Recall that f is either a bigon or a trigon bounded by an S_2 cycle or an S_3 cycle respectively. Note that f has two parallel edges only if f is a trigon.

Let \mathcal{E} be the collection of edges of G_T with label pair $\{1, 6\}$ that lie in T_V , do not lie between two parallel edges of f , and are not an edge of a face of $S \cap X^-$ parallel to f . If $\mathcal{E} \neq \emptyset$ then let R be a face of $S \cap X^-$ that has an edge $e_R \in \mathcal{E}$ adjacent to an edge of a face of $S \cap X^-$ that is parallel to f .

Since f is a p -gon bounded by an S_p cycle for $p = 2$ or 3 , we claim that R cannot be a $(p+1)$ -gon. To the contrary, assume R is a $(p+1)$ -gon. The corners of f divide $\partial H_{(6,1)}$ into p rectangles. These rectangles are joined cyclically by edges of G_T with label pair $\{1, 6\}$. Since R is a $(p+1)$ -gon, every edge of R cannot have label pair $\{1, 6\}$. Therefore R must have an edge with label pair $\{1, 4\}$, $\{5, 6\}$ or $\{3, 6\}$. Thus it must have a second edge with one of these three label pairs. Moving in both directions along ∂R from e_R , counting a second edge if f is a trigon, the final two edges of R must emanate from U_1 and U_6 and lie in $\hat{T} - T_V$. Thus the final two edges of R must have label pairs $\{1, 4\}$ and $\{3, 6\}$. Since $H_{(3,4)} \subseteq X^+$, R cannot have a corner connecting these edges. Thus R is not a $(p+1)$ -gon.

Since R is not a $(p+1)$ -gon, by either Lemma 6.5 or Lemma 6.6, one may isotop R to produce a new face B' of $S \cap X^-$ which has e_R as an edge that is parallel in

$X - N(K)$ to f and a new face R' of $S \cap X^-$ with two fewer corners than R while joining faces of $S \cap X^+$ along an arc $\tau \subseteq \hat{T} \setminus S$. By construction, τ connects an edge of R incident to U_1 not in T_V to an edge of R incident to U_6 not in T_V . Therefore any arc of $S \cap T$ created by this isotopy is not contained in T_V . Recall that because edges of F and f delineate the boundary of T_V there may be edges of G_T parallel on T to edges of f which are not contained in T_V . Furthermore, since e_R is now an edge of the face B' which is parallel to f , it is no longer included in \mathcal{E} . Thus the isotopy strictly decreases $|\mathcal{E}|$. Since such an isotopy creates no monogons, each arc of $S \cap T$ is essential in each S and T .

The isotopy may only increase $|S \cap T|$ if the arc τ connects an edge of R to itself. In this case neither R nor R' is a disk. The region R' has a boundary component that lies as an essential simple closed curve in the annulus of \hat{T} between the edges of G_T with label pairs $\{1, 6\}$ and those with label pairs $\{3, 4\}$.

Repeatedly perform such isotopies until $\mathcal{E} = \emptyset$. If for some $R \in S \cap X^-$ not parallel to f has an edge e_R with label pair $\{1, 6\}$, then e_R must lie between two parallel edges of f . Otherwise, since e_R is not contained in T_V , moving in both directions along ∂R away from e_R , picking up a second edge that lies between two parallel edges of f if f is a trigon, we arrive at two edges of R that lie in T_V . One edge has an end point on U_6 and the other has an end point on U_1 . Since the edges of G_T in T_V must have label pair $\{1, 6\}$ or $\{5, 6\}$, the latter edge must be in \mathcal{E} . This contradicts that $\mathcal{E} = \emptyset$.

Assume e_R is an edge of a face $R \in S \cap X^-$ not parallel to f such that e_R lies between two parallel edges of f . Then the two corners of R incident to e_R are incident to edges each with an endpoint incident to either U_1 or U_6 . Since these two edges cannot lie between two parallel edges of f , they cannot have label pair $\{1, 6\}$. Thus they have the label pairs $\{1, 4\}$ and $\{1, 6\}$.

It similarly follows that there are no edges with label pair $\{3, 6\}$ due to the fact that there are no edges with label pair $\{1, 2\}$. □

6.1.4 Arranging S in $X^+ \setminus V$ Recall that g is a p -gon of $S \cap X^+$ bounded by an Sp cycle for $p = 2$ or 3 . Also recall that W is the solid torus $X^+ \setminus (V \cup \bar{N}(K) \cup g)$.

Proposition 6.11 *One may isotop S so that each face of $S \cap W$ is either*

- a bigon parallel to a bigon of $F \setminus f$,
- a p -gon parallel to the p -gon g ,
- a meridional disk of W with 2 or 3 corners or

- an annulus with a boundary component in each component T_W and T'_W of $T \cap W$.

Furthermore, this isotopy creates no monogons and preserves the results of the isotopies of Proposition 6.9 and Proposition 6.10.

Proof Let \mathcal{E} be the collection of edges of G_T with label pair either $\{3, 4\}$ or $\{1, 6\}$ that lie in T_W , do not lie between two parallel edges of g , and are not an edge of a face of $S \cap W$ parallel to either g or a bigon of $F \setminus f$. Let \mathcal{E}' be the collection of edges of G_T with label pair either $\{3, 4\}$ or $\{2, 5\}$ that lie in T'_W , do not lie between two parallel edges of g , and are not an edge of a face of $S \cap W$ parallel to either g or a bigon of $F \setminus f$.

If $\mathcal{E} \neq \emptyset$ then let R be a face of $S \cap W$ that has an edge $e_R \in \mathcal{E}$ adjacent to an edge of a face $S \cap W$ that is parallel to either g or a bigon of $F \setminus f$.

If e_R has label pair $\{1, 6\}$ then R cannot be a trigon. If g is a p -gon and e_R has label pair $\{3, 4\}$ then R cannot be a $(p+1)$ -gon. This may be seen by attempting to connect a set of 3 or 4 corners in ∂W with the edges of R .

Therefore, by either Lemma 6.5 or Lemma 6.6, one may isotop R to produce a new face B' of $S \cap W$ which has e_R as an edge that is parallel to either g or a bigon of $F \setminus f$ and a new face R' of $S \cap W$ with two fewer corners than R while joining faces of $S \cap X^-$ along an arc $\tau \subseteq T'_W$. Since e_R is now an edge of the face B' which is parallel to either g or a bigon of F , it is no longer included in \mathcal{E} . Thus the isotopy strictly decreases $|\mathcal{E}|$. Such an isotopy creates no monogons, and hence each arc of $S \cap T$ is essential in each S and T . Repeatedly perform such isotopies until $\mathcal{E} = \emptyset$. Because the only arcs of $S \cap T$ affected are ones in T'_W , the results of these isotopies do not have any effect upon those of Proposition 6.9 and Proposition 6.10.

By Proposition 6.10 there are no edges with label pair $\{3, 6\}$. Thus $\mathcal{E} = \emptyset$ implies $\mathcal{E}' = \emptyset$. If otherwise, then there exists an edge $e_R \in \mathcal{E}'$ of a region $R \in S \cap W$ that is not parallel to either g or a bigon of $F \setminus f$. If e_R has label pair $\{2, 5\}$, then it is incident to a corner of R on $\partial H_{(5,6)}$. Therefore the next edge of R must lie in T_W and have an end point labeled 6. Since there are no edges of G_T with label pair $\{3, 6\}$, this edge must have label pair $\{1, 6\}$ and is thus an edge of \mathcal{E} contradicting that $\mathcal{E} = \emptyset$. If e_R has label pair $\{3, 4\}$ then after the corner of R incident to the end point of e_R labeled 4 the next edge must have label pair $\{3, 4\}$. If this edge is between two parallel edges of g , then the next edge too must have label pair $\{3, 4\}$. Regardless, one of these edges lies in T_W and is thus an edge of \mathcal{E} contradicting that $\mathcal{E} = \emptyset$.

Similarly, it follows that there can be no edges with label pair $\{4, 5\}$. An edge with label pair $\{4, 5\}$ must be an edge of a face $S \cap W$ with a corner on $\partial H_{(5,6)}$ followed

by an edge incident to U_6 . This edge must then have label pair $\{1, 6\}$ and thus be an edge of \mathcal{E} contradicting that $\mathcal{E} = \emptyset$.

Assume a face R of $S \cap W$ has an edge e_R with label pair $\{1, 4\}$. Since there are no edges with label pair $\{3, 6\}$, no edge of $S \cap W$ can transversely cross T_W in the direction opposite from e_R . Thus R must be a meridional disk with one edge in T_W and one edge in T'_W . If g is a trigon, R may have a third edge between two parallel edges of g . Thus R is a meridional disk of W with either two or three edges and two or three corners respectively. Note that because there may be two distinct edge classes of G_T with label pair $\{1, 4\}$ there may be two parallelism classes of disks of $S \cap W$ that are meridional disks of W . Nevertheless, all such disks have the same number of corners. Furthermore, the number of edges with label pair $\{1, 4\}$ equals the number of edges with label pair $\{2, 5\}$.

If $S \cap T_W$ or $S \cap T'_W$ contains a simple closed curve component c , then there can be no edges with label pair $\{1, 4\}$ or $\{2, 5\}$. Thus an edge of G_T in T_W or T'_W must be an edge of a face of $S \cap W$ parallel to either g or a bigon of $F \setminus f$. Let $R \in S \cap W$ be the face with $c \in \partial R$. Since c is a longitudinal curve of W , R must be an annulus with its other boundary component contained in whichever of T_W or T'_W that does not contain c . Otherwise, if these two boundary components are contained in the same annulus, then R is parallel into T_W or T'_W . An isotopy of S will push R (and any other annuli of $S \cap W$ between R and \hat{T}) into X^- . This will violate the minimality of $|S \cap T|$. Hence we may assume S has been isotoped so that any annulus of $S \cap W$ has one boundary component in T_W and its other one in T'_W . \square

6.1.5 Proof of Proposition 6.1

Proof Perform the isotopies of $\text{Int } S$ first in Proposition 6.9, then in Proposition 6.10, and finally in Proposition 6.11. This arranges the edges of G_T into the edge classes described in the proposition. The isotopies also maintain that the arcs of $S \cap T$ are essential in both S and T .

Recall that on G_T there are s edges around each vertex. Since there are n edges with each label pair $\{1, 4\}$, $\{2, 3\}$, and $\{5, 6\}$ and no edges with label pair $\{1, 2\}$, $\{3, 6\}$, or $\{4, 5\}$, there must be a total of $s - n$ edges with each label pair $\{1, 6\}$, $\{2, 5\}$, and $\{3, 4\}$. Each collection of $s - n$ edges with label pair $\{1, 6\}$, $\{2, 5\}$, and $\{3, 4\}$ lie in an essential annulus.

The faces of $S \cap X^+$ The proof of Case 2 of Proposition 6.9 implies each edge of G_T with label pair $\{5, 6\}$ is an edge of a trigon in V whose other two edges have label pairs $\{1, 6\}$ and $\{2, 5\}$. Since there are n edges with label pair $\{5, 6\}$, there must be n trigons contained in V .

Together the proofs of Proposition 6.9 and Proposition 6.11 imply that an edge with label pair $\{1, 6\}$ or $\{2, 5\}$ that is not an edge of a trigon in V is an edge of a bigon that is parallel to a bigon of $F \setminus f$. Since there are $s - n$ edges with label pair $\{1, 6\}$, n of which are edges of trigons in V , there are $s - 2n$ edges with label pair $\{1, 6\}$ that are edges of bigons parallel to bigons of $F \setminus f$. Since a bigon of $F \setminus f$ has only one edge with label pair $\{1, 6\}$, each edge with label pair $\{1, 6\}$ that is not an edge of a trigon is an edge of a distinct bigon. Thus there are $s - 2n$ bigons parallel to a bigon of $F \setminus f$. Furthermore, of the $s - n$ edges with label pair $\{2, 5\}$, n belong to a trigon in V and $s - 2n$ belong to a bigon parallel to a bigon of $F \setminus f$.

By Proposition 6.11 an edge with label pair $\{2, 3\}$ is an edge of a meridional disk of W with 2 or 3 corners and hence 2 or 3 edges respectively. One corner runs along $\partial H_{(1,2)}$ from the edge with label pair $\{2, 3\}$ to an edge with label pair $\{1, 4\}$. If g is a bigon, then the meridional disk of W is a bigon itself with its final corner on $\partial H_{(3,4)}$. If g is a trigon, then two edges of g are parallel. Also, the corners of g divide $\partial H_{(3,4)}$ into three rectangles ρ , ρ' , and ρ'' . The bigon δ on \hat{T} between the two parallel edges of g connects two of these rectangles, say ρ and ρ' . Either the edges with label pair $\{2, 3\}$ and $\{1, 4\}$ are incident to $\rho \cup \delta \cup \rho'$ or they are incident to ρ'' . If they are incident to $\rho \cup \delta \cup \rho'$, then a meridional disk of W is a trigon with a corner on each of ρ and ρ' and an edge that lies in δ . If the edges are incident to ρ'' , then a meridional disk of W is a bigon with its final corner on ρ'' .

Since there are just n edges with label pair $\{2, 3\}$, there are n such meridional disks of W . They are either all bigons or all trigons. In either case, each has one edge with label pair $\{2, 3\}$ and one edge with label pair $\{1, 4\}$. If the disks are trigons, then their third edge has label pair $\{3, 4\}$. If g is a bigon, then each edge with label pair $\{3, 4\}$ is an edge of a bigon parallel to g . Since there are $s - n$ edges with label pair $\{3, 4\}$, there are $(s - n)/2$ bigons parallel to g . If g is a trigon, then each edge with label pair $\{3, 4\}$ that is not an edge of a meridional disk of W is an edge of a trigon parallel to g . If the meridional disks of W are bigons, then they have no edge with label pair $\{3, 4\}$. Hence there are $(s - n)/3$ trigons parallel to g . If the meridional disks of W are trigons, then they each have one edge with label pair $\{3, 4\}$. Hence there are $(s - 2n)/3$ trigons parallel to g .

If $S \cap X^+$ contains no meridional disks of W , then $n = 0$. Similarly, if there are annuli of $S \cap W$ then $n = 0$.

Let us now summarize the collection $S \cap X^+$. If g is a bigon, then $S \cap X^+$ is composed of n trigons contained in V , $s - 2n$ bigons parallel to bigons of $F \setminus f$, n bigons that are meridional disks of W , $(s - n)/2$ bigons parallel to g , and annuli if $n = 0$. Thus if g is a bigon, then $S \cap X^+$ contains $(s - 2n) + n + (s - n)/2 = 3(s - n)/2$ bigons, n trigons, and possibly annuli if $n = 0$.

If g is a trigon, then $S \cap X^+$ is composed of n trigons contained in V , $s - 2n$ bigons parallel to bigons of $F \setminus f$, either n bigons that are meridional disks of W and $(s - n)/3$ trigons parallel to g or n trigons that are meridional disks of W and $(s - 2n)/3$ trigons parallel to g , and annuli if $n = 0$. Thus if g is a trigon, then $S \cap X^+$ contains either $(s - 2n) + n = s - n$ bigons and $n + (s - n)/3 = (s + 2n)/3$ trigons or $s - 2n$ bigons and $n + n + (s - 2n)/3 = (s - 4n)/3$ trigons and possibly annuli if $n = 0$.

The faces of $S \cap X^-$ By Proposition 6.10, an edge with label pair $\{1, 6\}$ that does not lie between two parallel edges of f is an edge of a face parallel to f .

If f is a bigon, then no edges of f are parallel. Hence all $s - n$ edges with label pair $\{1, 6\}$ are edges of bigons parallel to f . Thus there are $(s - n)/2$ bigons parallel to f .

If f is a trigon, then each of the n edges with label pair $\{5, 6\}$ are incident to a corner on $\partial H_{(6,1)}$ with are in turn either incident to an edge with label pair $\{1, 4\}$ or incident to an edge with label pair $\{1, 6\}$ that lies between the parallel edges of f . In the former case the $s - n$ edges with label pair $\{1, 6\}$ are all edges of trigons parallel to f ; hence there are $(s - n)/3$ trigons of $S \cap X^-$ parallel to f . In the latter case the remaining $s - 2n$ edges with label pair $\{1, 6\}$ are edges of trigons parallel to f ; hence there are $(s - 2n)/3$ trigons of $S \cap X^-$ parallel to f . □

6.2 Euler characteristic estimates

The arcs and simple closed curves of $S \cap T$ break S into faces which lie either in X^+ or X^- . The arcs of $S \cap T$ form the edges of G_S . Because we are assuming $t = 6$, G_S has a total of $3s$ edges.

Lemma 6.12 Both $\sum_{R \in S \cap X^+} \chi(R) \leq 3s/2$ and $\sum_{R \in S \cap X^-} \chi(R) \leq 3s/2$.

Proof Since $\sum_{R \in S \cap X^+} \chi(R) \leq \#(\text{disks in } S \cap X^+)$

$$\begin{aligned} \text{and } 2 \cdot \#(\text{disks in } S \cap X^+) &\leq \#(\text{edges of disks in } S \cap X^+) \\ &\leq \#(\text{edges of faces in } S \cap X^+) = 3s, \end{aligned}$$

we have
$$\sum_{R \in S \cap X^+} \chi(R) \leq 3s/2.$$

Replacing X^+ with X^- achieves the other case. □

Note that equality is realized in Lemma 6.12 if $S \cap X^+$ (or $S \cap X^-$) is a collection of bigons. Utilizing Proposition 6.1 we can obtain an exact count for $\sum_{R \in S \cap X^+} \chi(R)$.

Lemma 6.13 Assume S has been isotoped in accordance with Proposition 6.1.

If g is a bigon then $\sum_{R \in S \cap X^+} \chi(R) = 3s/2 - n/2$.

If g is a trigon then $\sum_{R \in S \cap X^+} \chi(R) = \begin{cases} 4s/3 - 2n/3 \\ \text{or} \\ 4s/3 - n/3. \end{cases}$

Proof If g is a bigon then $S \cap X^+$ is a collection of $3(s-n)/2$ bigons and n trigons.

Thus $\sum_{R \in S \cap X^+} \chi(R) = 3(s-n)/2 + n = 3s/2 - n/2$.

If g is a trigon then $S \cap X^+$ is either a collection of $s-2n$ bigons and $(s+4n)/3$ trigons or a collection of $s-n$ bigons and $(s+2n)/3$ trigons.

$$\sum_{R \in S \cap X^+} \chi(R) = \begin{cases} s-2n + (s+4n)/3 = 4s/3 - 2n/3 \\ \text{or} \\ s-n + (s+2n)/3 = 4s/3 - n/3. \end{cases} \quad \square$$

Lemma 6.14 If g is a bigon then

$$s + 1/2 + n/2 \leq \sum_{R \in S \cap X^-} \chi(R).$$

If g is a trigon then either

$$7s/6 + 1/2 + 2n/3 \leq \sum_{R \in S \cap X^-} \chi(R)$$

or $7s/6 + 1/2 + n/3 \leq \sum_{R \in S \cap X^-} \chi(R)$.

In any case, $s < \sum_{R \in S \cap X^-} \chi(R)$.

Proof Since S is a once punctured orientable surface of genus g , we have

$$\chi(S) = 1 - 2g = -3s + \sum_{R \in S \cap X^-} \chi(R) + \sum_{R \in S \cap X^+} \chi(R).$$

Because $s \geq 4g - 1$, $(s + 1)/2 \geq 2g$. Thus

$$1 - (s + 1)/2 \leq -3s + \sum_{R \in S \cap X^-} \chi(R) + \sum_{R \in S \cap X^+} \chi(R)$$

and so
$$5s/2 + 1/2 - \sum_{R \in S \cap X^+} \chi(R) \leq \sum_{R \in S \cap X^-} \chi(R).$$

Due to Lemma 6.13, if g is a bigon

$$5s/2 + 1/2 - (3s/2 - n/2) = s + 1/2 + n/2 \leq \sum_{R \in S \cap X^-} \chi(R).$$

If g is a trigon then one of following occurs:

$$5s/2 + 1/2 - (4s/3 - 2n/3) = 7s/6 + 1/2 + 2n/3 \leq \sum_{R \in S \cap X^-} \chi(R),$$

$$5s/2 + 1/2 - (4s/3 - n/3) = 7s/6 + 1/2 + n/3 \leq \sum_{R \in S \cap X^-} \chi(R). \quad \square$$

6.2.1 The disks of $S \cap X^-$ The remainder of this section is devoted to showing

$$\sum_{R \in S \cap X^-} \chi(R) \leq s.$$

To do so we must better understand the disks of $S \cap X^-$.

Lemma 6.15 *There are no bigons or trigons of $S \cap X^-$ that have an edge with label pair $\{1, 4\}$ or $\{5, 6\}$. If there exist edges of G_T with label pair $\{1, 6\}$ that are not edges of faces of $S \cap X^-$ parallel to f , then there are also no tetragons of $S \cap X^-$ with an edge having label pair $\{1, 4\}$ or $\{5, 6\}$.*

Proof In light of Proposition 6.10, if a face $\mathbb{E} \in S \cap X^-$ has an edge with one of the label pairs $\{1, 4\}$ and $\{5, 6\}$, then it also has an edge with the other label pair on the same component of $\partial\mathbb{E}$ connected either (a) by a single $(6, 1)$ corner or (b) by a sequence of a $(6, 1)$ corner, an edge with label pair $\{1, 6\}$, and another $(6, 1)$ corner. If $\mathbb{E} \in S \cap X^-$ is not parallel to f but has an edge with label pair $\{1, 6\}$, then this edge must appear both on $\partial\mathbb{E}$ as in situation (b) and on \hat{T} between two parallel edges of f as arranged by Proposition 6.10. Note that in either situation, in the other arc of $\partial\mathbb{E}$ between the two edges with label pairs $\{1, 4\}$ and $\{5, 6\}$ there cannot be just one other edge. This is because such an edge would necessarily have label pair $\{4, 5\}$ which is prohibited by Proposition 6.1. Thus in situation (a) \mathbb{E} cannot be a trigon, and in situation (b) \mathbb{E} cannot be a tetragon (nor a bigon). Therefore we consider situation (a) where \mathbb{E} is a bigon and situation (b) where \mathbb{E} is a trigon.

If $n = 0$, then there are no edges with label pair $\{1, 4\}$ or $\{5, 6\}$, and the lemma is trivial. Therefore assume $n > 0$. By Proposition 6.9 there exists a trigon \textcircled{D} of $S \cap V$ that shares an edge with \textcircled{E} . The three edges of \textcircled{D} have label pairs $\{1, 6\}$, $\{2, 5\}$, and $\{5, 6\}$.

Let \textcircled{A} be a bigon of $S \cap V$ with an edge parallel and closest to the edge of \textcircled{D} with label pair $\{2, 5\}$. The other edge of \textcircled{A} has label pair $\{1, 6\}$. Let Δ be the bigon on T between these edges of \textcircled{A} and \textcircled{D} with label pair $\{2, 5\}$. Let $\rho_{(1,2)}$ and $\rho_{(5,6)}$ be the rectangles on $\partial H_{(1,2)}$ and $\partial H_{(5,6)}$ respectively that contain the corners of \textcircled{A} , \textcircled{D} , and Δ . We may assemble \textcircled{A} , \textcircled{D} , Δ , $\rho_{(1,2)}$, and $\rho_{(5,6)}$ into a high disk for $K_{(5,6)}$. See Figure 36.

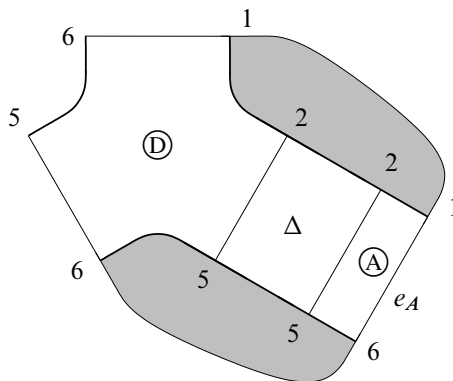


Figure 36: The construction of a high disk for $K_{(5,6)}$

Situation (a) \textcircled{E} is a bigon. In this situation, f may be either a bigon or a trigon.

Let \textcircled{B} and \textcircled{C} be two bigons or trigons in $X^- - N(K)$ parallel to f and disjoint from both f and \textcircled{E} so that $\textcircled{A} \cap \textcircled{B}$ and $\textcircled{C} \cap \textcircled{D}$ are each edges with label pair $\{1, 6\}$. Note that \textcircled{B} and \textcircled{C} may actually be faces of $S \cap X^-$.

Let $\rho_{(6,1)}$ be the rectangle on $\partial H_{(6,1)}$ with boundary containing corners of \textcircled{B} , \textcircled{E} , and $\rho_{(5,6)}$.

If f is a bigon, then let $\rho'_{(6,1)}$ be the rectangle on $\partial H_{(6,1)}$ with boundary containing corners of \textcircled{B} , \textcircled{C} , and $\rho_{(1,2)}$.

If f is a trigon, then there is an edge of \textcircled{B} and an edge of \textcircled{C} that lies between the two parallel edges of f . Let δ be the bigon on \hat{T} bounded by these two edges of \textcircled{B} and \textcircled{C} . Then let $\rho'_{(6,1)}$ be the rectangle on $\partial H_{(6,1)}$ bounded by corners of \textcircled{B} , \textcircled{C} , $\rho_{(1,2)}$, and $\delta \cap U_6$. Let $\rho''_{(6,1)}$ be the rectangle on $\partial H_{(6,1)}$ with boundary containing corners of \textcircled{B} , \textcircled{C} , and $\delta \cap U_1$.

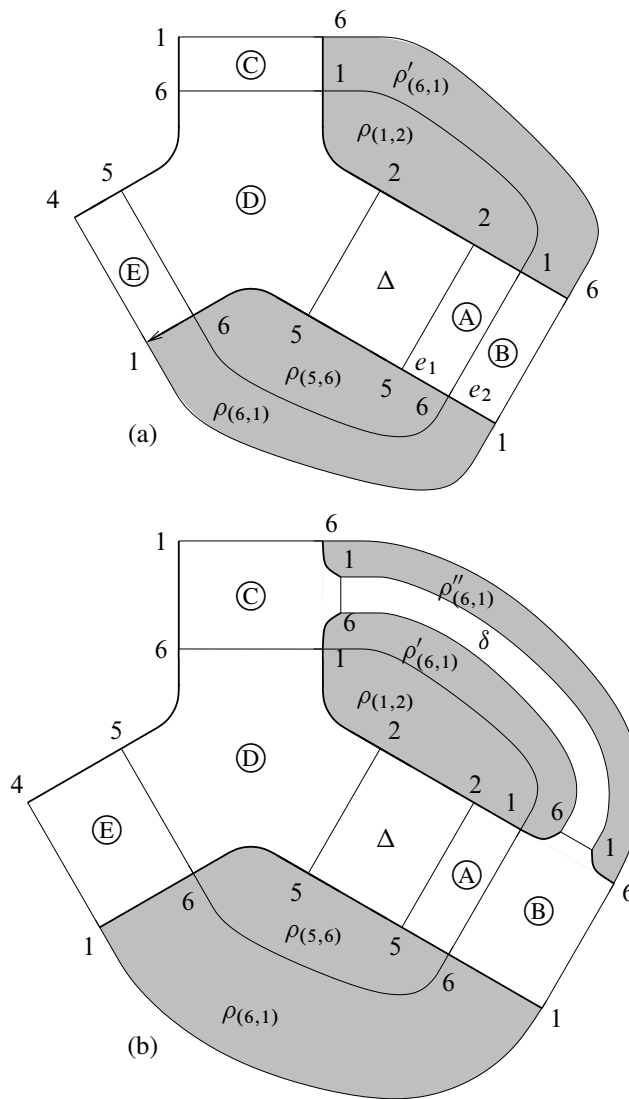


Figure 37: The construction of a long disk if f is (a) a bigon and (b) a trigon

Assemble \textcircled{A} , \textcircled{B} , \textcircled{C} , \textcircled{D} , \textcircled{E} , Δ , $\rho(1,2)$, $\rho(5,6)$, $\rho(6,1)$, and $\rho'_{(6,1)}$ (and δ and $\rho''_{(6,1)}$ if f is a trigon) to form the embedded disk D as shown in Figure 37(a) and (b). The boundary of D may be slightly extended into $H_{(4,1)}$ so that it is composed of the arc $K_{(4,1)}$ and an arc on \hat{T} . Thus D is a long disk. By Lemma 2.2, such a disk cannot exist.

Situation (b) \textcircled{E} is a trigon. Here f is necessarily a trigon.

Again, let \textcircled{B} and \textcircled{C} be two bigons or trigons in $X^- - N(K)$ parallel to f and disjoint from both f and \textcircled{E} so that $\textcircled{A} \cap \textcircled{B}$ and $\textcircled{C} \cap \textcircled{D}$ are each edges with label pair $\{1, 6\}$. Note that \textcircled{B} and \textcircled{C} may actually be faces of $S \cap X^-$.

Let $\rho_{(6,1)}$ be the rectangle on $\partial H_{(6,1)}$ bounded by corners of \textcircled{B} , \textcircled{C} , and $\rho_{(1,2)}$.

Since f is a trigon, there is an edge of \textcircled{B} and an edge of \textcircled{E} that lies between the two parallel edges of f . Let δ be the bigon on T bounded by these two edges of \textcircled{B} and \textcircled{E} . Note that there is an edge of \textcircled{C} between the two parallel edges of f , but it is not contained in δ .

Let $\rho'_{(6,1)}$ be the rectangle on $\partial H_{(6,1)}$ bounded by corners of \textcircled{B} , \textcircled{E} , $\rho_{(5,6)}$, and $\delta \cap U_1$. Let $\rho''_{(6,1)}$ be the rectangle on $\partial H_{(6,1)}$ with boundary containing corners of \textcircled{B} , \textcircled{E} , and $\delta \cap U_6$.

Assemble \textcircled{A} , \textcircled{B} , \textcircled{C} , \textcircled{D} , \textcircled{E} , Δ , $\rho_{(1,2)}$, $\rho_{(5,6)}$, $\rho_{(6,1)}$, $\rho'_{(6,1)}$, and $\rho''_{(6,1)}$ to form the embedded disk D , a “lopsided bigon,” as shown in Figure 38. The boundary of D may be slightly extended into $H_{(4,1)}$ so that it is composed of the arc $K_{(4,1)}$, the arc $K_{(6,1)}$, and two arcs, say τ_1 and τ_2 , on \hat{T} .

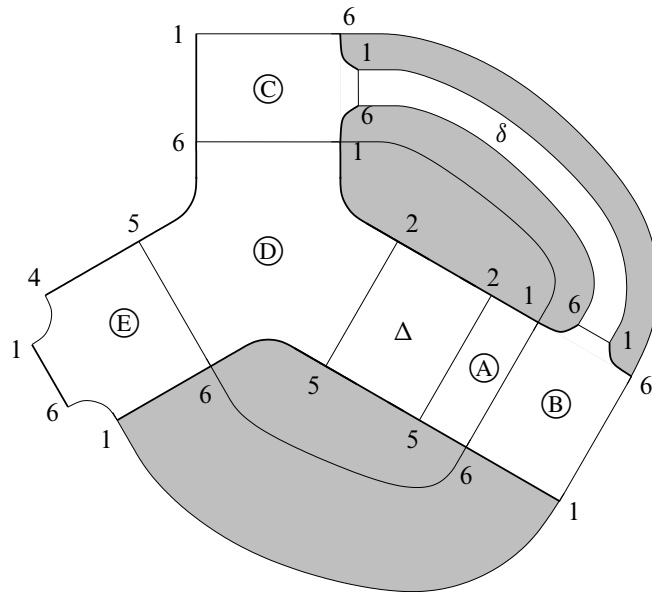


Figure 38: The construction of the “lopsided bigon”

Isotop the arc $K_{(4,1)}$ across D so that the decomposition $K = K_{(1,4)} \cup K_{(4,1)}$ becomes $K = K_{(1,4)} \cup \tau_1 \cup K_{(6,1)} \cup \tau_2$. Since the ends of $K_{(6,1)}$ are in X^- while the ends of $K_{(1,4)}$ are in X^+ , a further slight isotopy of K in $N(\tau_1 \cup \tau_2)$ puts K in Morse

position without introducing new critical points. Since the extrema of K are in a 1 – 1 correspondence with a proper subset of the former extrema of K (with the correspondence taking maxima to maxima and minima to minima), the width of K has been reduced. In other words, the width of the two arcs $K_{(1,4)} \cup K_{(6,1)}$ is less than the width of the knot $K_{(1,4)} \cup K_{(4,1)}$. This contradicts that K is in thin position. \square

Lemma 6.16 *A bigon of $S \cap X^-$ that is not parallel to f must have edges with label pairs $\{2, 5\}$ and $\{3, 4\}$.*

Proof Due to Lemma 6.15, a bigon of $S \cap X^-$ cannot have an edge with label pair $\{1, 4\}$ or $\{5, 6\}$. Thus an edge of a bigon of $S \cap X^-$ not parallel to f may have label pair $\{2, 5\}$, $\{3, 4\}$, or $\{2, 3\}$.

If an bigon of $S \cap X^-$ has label pair $\{2, 3\}$, then both edges must have this label pair. Such a bigon is thus bounded by an S^2 cycle. Since f is in X^- too, this contradicts Lemma 3.6.

Because $H_{(3,4)} \subseteq X^+$, the conclusion of the lemma follows. \square

Lemma 6.17 *There must exist a bigon of $S \cap X^-$ whose edges have label pairs $\{2, 5\}$ and $\{3, 4\}$.*

Proof Assume every bigon of $S \cap X^-$ is parallel to f .

Case 1 f is a bigon.

By Proposition 6.1, $(s - n)/2$ faces of $S \cap X^-$ are bigons parallel to f . Since by Lemma 6.15 the edges with label pair $\{1, 4\}$ and $\{5, 6\}$ cannot be edges of bigons or trigons, at worst they are edges of tetragons. Since each edge with label pair $\{1, 4\}$ is connected to an edge with label pair $\{5, 6\}$ by a corner on $\partial H_{(6,1)}$ (due to Lemma 6.15 because the edges of the bigon f are not parallel on \hat{T}) and each such edge class has n edges, together with $2n$ edges that have label pairs $\{2, 5\}$, $\{3, 4\}$, or $\{2, 3\}$, these may bound at most n tetragons.

The remaining $3s - 2 \cdot (s - n)/2 - 4 \cdot n = 2s - 3n$ edges all have label pair $\{2, 5\}$, $\{3, 4\}$, or $\{2, 3\}$. Any trigon with all its edge among these, must have one edge with each of these three label pairs. Since there are only n edges with label pair $\{2, 3\}$, there may be at most n such trigons. The remaining $2s - 3n - 3 \cdot n = 2s - 6n$ edges may at worst bound tetragons. Thus

$$\sum_{R \in S \cap X^-} \chi(R) \leq (s - n)/2 + n + n + (2s - 6n)/4 = s.$$

Case 2 f is a trigon.

By Proposition 6.1, either $(s - n)/3$ or $(s - 2n)/3$ of the faces of $S \cap X^-$ are trigons parallel to f .

Case 2a If there are $(s - n)/3$ trigons parallel to f , then each edge with label pair $\{1, 6\}$ is an edge of a trigon parallel to f . Then by Lemma 6.15 the edges with label pair $\{1, 4\}$ and $\{5, 6\}$ cannot be edges of bigons or trigons. At worst they are edges of tetragons. Since each edge with label pair $\{1, 4\}$ is connected to an edge with label pair $\{5, 6\}$ by a corner on $\partial H_{(6,1)}$ (because in order to have $(s - n)/3$ trigons parallel to f , each edge of G_T between the parallel edges of f must belong to one of these trigons—see the last paragraph of the proof of Proposition 6.1 in Section 6.1.5) and each such edge class has n edges, then together with $2n$ of the edges that have label pairs $\{2, 5\}$, $\{3, 4\}$, or $\{2, 3\}$, these may bound at most n tetragons.

The remaining $3s - 3 \cdot (s - n)/3 - 4 \cdot n = 2s - 3n$ edges all have label pair $\{2, 5\}$, $\{3, 4\}$, or $\{2, 3\}$. Any trigon with all its edges among these, must have one edge with each of these three label pairs. Since there are only n edges with label pair $\{2, 3\}$, there may be at most n such trigons. The remaining $2s - 3n - 3 \cdot n = 2s - 6n$ edges may at worst bound $(2s - 6n)/4$ tetragons.

$$\text{Thus } \sum_{R \in S \cap X^-} \chi(R) \leq (s - n)/3 + n + n + (2s - 6n)/4 = 5s/6 + n/6.$$

Case 2b If there are $(s - 2n)/3$ trigons parallel to f (and $n \neq 0$), then there exists an edge with label pair $\{1, 6\}$ that is not an edge of a trigon parallel to f (indeed in G_T between the parallel edges of f there are n edges that do not belong to faces of $S \cap X^-$ that are trigons parallel to f —again, see the last paragraph of the proof of Proposition 6.1 in Section 6.1.5). Then by Lemma 6.15 the edges with label pair $\{1, 4\}$ and $\{5, 6\}$ cannot be edges of bigons, trigons, or tetragons. At worst they are edges of pentagons. Since each edge with label pair $\{1, 4\}$ is connected to an edge with label pair $\{5, 6\}$ by a two corners on $\partial H_{(6,1)}$ and an edge with label pair $\{1, 6\}$ and each such edge class has n edges, together with $2n$ edges that have label pairs $\{2, 5\}$, $\{3, 4\}$, or $\{2, 3\}$, these may bound at most n pentagons.

The remaining $3s - 3 \cdot (s - 2n)/3 - 5 \cdot n = 2s - 3n$ edges all have label pair $\{2, 5\}$, $\{3, 4\}$, or $\{2, 3\}$. Any trigon with all its edges among these, must have one edge with each of these three label pairs. Since there are only n edges with label pair $\{2, 3\}$, there may be at most n such trigons. The remaining $2s - 3n - 3 \cdot n = 2s - 6n$ edges may at worst bound $(2s - 6n)/4$ tetragons.

$$\text{Thus } \sum_{R \in S \cap X^-} \chi(R) \leq (s - 2n)/3 + n + n + (2s - 6n)/4 = 5s/6 - n/6.$$

Since necessarily $n < s$, we have $5s/6 - n/6 < 5s/6 + n/6 < s$. Thus

$$\sum_{R \in S \cap X^-} \chi(R) \leq s.$$

However, by Lemma 6.14

$$s < \sum_{R \in S \cap X^-} \chi(R)$$

regardless of whether g is a bigon or trigon. This, in all cases, is a contradiction. Thus there must be a bigon of $S \cap X^-$ that is not parallel to f . By Lemma 6.16, the edges of such a bigon must have label pairs $\{2, 5\}$ and $\{3, 4\}$. \square

Lemma 6.18 *Let B be a bigon of $S \cap X^-$ whose edges b_0 and b_1 have label pairs $\{2, 5\}$ and $\{3, 4\}$ respectively. Let R be an m -gon of $S \cap X^-$ whose edges have label pairs among $\{2, 5\}$, $\{3, 4\}$, and $\{2, 3\}$. For each $i = 0, 1$ let p_i be the number of edges of R in the same edge class of G_T as b_i , and let \bar{p}_i be the number of edges of R with the same label pair as b_i but not in the same edge class as b_i .*

Assume that the edges of B and R together lie in an essential annulus A on \hat{T} . If $M = \bar{N}(A \cup H_{(2,3)} \cup H_{(4,5)} \cup B \cup R)$ is a solid torus such that the core of A is a longitude, then R has exactly one edge with label pair $\{2, 3\}$. Thus for each $i = 0, 1$ we have $p_i + \bar{p}_i = (m - 1)/2$. Furthermore either

- $\bar{p}_i = 0$ for $i = 0, 1$, or
- $p_0 = \bar{p}_1$ and $p_1 = \bar{p}_0$.

One may care to compare this lemma in the case that R is a trigon with Lemma 3.7.

Proof Consider the genus 3 handlebody $\bar{N}(A \cup H_{(2,3)} \cup H_{(4,5)})$ which we view as the torus $A \times [0, 1]$ with the 1-handles $H_{(2,3)}$ and $H_{(4,5)}$ attached to $A \times \{1\}$. We then obtain M by attaching to $A \times [0, 1] \cup \partial H_{(2,3)} \cup \partial H_{(4,5)}$ the 2-handles $\bar{N}(B)$ and $\bar{N}(R)$. Assume M is a solid torus such that the core of A is a longitude.

Let E be a disk. By attaching the 2-handle $\bar{N}(E)$ to $A \times [0, 1]$ along the core of $A \times \{0\}$ we form a 3-ball $W = \bar{N}(A \cup E)$. Let E^+ and E^- be the two sides of $\bar{N}(E)$ on ∂W . Notice that $\partial W - \text{Int}(E^+ \cup E^-)$ may be identified with the annulus A .

To the ball W we attach the “1-handle” $H = H_{(2,3)} \cup \bar{N}(B) \cup H_{(4,5)}$ forming the solid torus $M' = \bar{N}(A \cup H_{(2,3)} \cup H_{(4,5)} \cup B \cup E)$. Note $M' \cup \bar{N}(R) = M \cup \bar{N}(E)$ and $M \cup \bar{N}(E) \cong B^3$. Therefore on $\partial M'$ the curve ∂R must be isotopic to a curve that algebraically intersects the cocore of H just once. Because R has no edges with

label pair $\{4, 5\}$, it must have exactly one edge with label pair $\{2, 3\}$. It then follows that $p_i + \bar{p}_i = (m - 1)/2$ for each $i = 0, 1$.

Let Γ be the subgraph of G_T consisting of the edges of B and R and the vertices $U_2, U_3, U_4,$ and U_5 . Since $\Gamma \subseteq A, \Gamma \subseteq \partial W$. The positions of E^+ and E^- relative to Γ define how Γ is contained in A .

Unless E^+ and E^- are contained in distinct bigons of $\partial W \setminus \Gamma$ whose edges lie in two distinct edge classes of Γ on ∂W , either $\bar{p}_0 = 0$ or $\bar{p}_1 = 0$. Thus we assume both $\bar{p}_0 \neq 0$ and $\bar{p}_1 \neq 0$. This forces Γ to appear on A as in Figure 39. It is then clear (eg by sliding over B each of the p_i edges of R that are parallel to b_i) that in order for M to be a solid torus, $p_0 = \bar{p}_1$ and $p_1 = \bar{p}_0$. \square

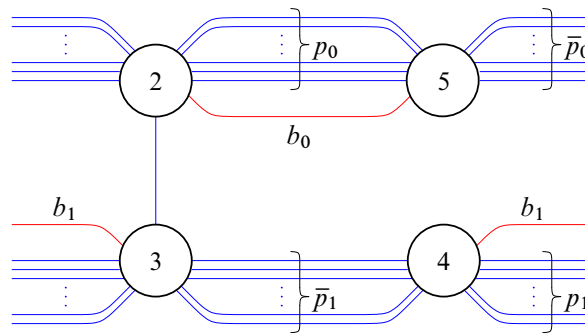


Figure 39: The edges of Γ on A when $\bar{p}_0 \neq 0$ and $\bar{p}_1 \neq 0$

Lemma 6.19 *The only disks of $S \cap X^-$ whose edges have label pairs among $\{2, 5\}, \{3, 4\},$ and $\{2, 3\}$ are bigons. Furthermore all such bigons are parallel.*

Proof Lemma 6.17 implies there exists a bigon B of $S \cap X^-$ whose edges have label pairs $\{2, 5\}$ and $\{3, 4\}$. By Lemma 6.3 any bigon with edges having label pairs among $\{2, 5\}, \{3, 4\},$ and $\{2, 3\}$ is parallel to B .

Assume $n = 0$. Then there are no edges with label pair $\{2, 3\}$. Thus, due to the existence of B , any boundary component of a face of $S \cap X^-$ with edges having all its label pairs among $\{2, 5\}$ and $\{3, 4\}$ may only have two edges.

To see this, let $A_{\{2,5\}}$ and $A_{\{3,4\}}$ be narrow essential annuli in \hat{T} which contain all edges of G_T with label pair $\{2, 5\}$ and $\{3, 4\}$ respectively and the pairs of fat vertices $\{U_2, U_5\}$ and $\{U_3, U_4\}$ respectively. Abstractly cap off the boundary components of $A_{\{2,5\}}$ and $A_{\{3,4\}}$ and delete the interiors of the fat vertices to form annuli $\hat{A}_{\{2,5\}}$ and $\hat{A}_{\{3,4\}}$ in which the edges of G_T they contain run from one boundary component

to the other. Then joining $\widehat{A}_{\{2,5\}}$ and $\widehat{A}_{\{3,4\}}$ with the annuli $\partial H_{(2,3)} \setminus (U_2 \cup U_3)$ and $\partial H_{(4,5)} \setminus (U_4 \cup U_5)$ (with the corners of faces of $S \cap X^-$ on them) forms a torus. The edges and corners of $S \cap X^-$ on this torus form a 1-manifold in which the closed components all meet each $\widehat{A}_{\{2,5\}}$, $\widehat{A}_{\{3,4\}}$, $\partial H_{(2,3)}$, and $\partial H_{(4,5)}$ the same number of times. Since ∂B is one such component, any other such component must meet $\widehat{A}_{\{2,5\}}$ and $\widehat{A}_{\{3,4\}}$ each just once as well, ie must have just two edges. Therefore any boundary component of a face of $S \cap X^-$ with edges having all its label pairs among $\{2, 5\}$ and $\{3, 4\}$ is such a closed component of this torus and hence must have just two edges.

Therefore a disk of $S \cap X^-$ whose edges have label pairs among $\{2, 5\}$ and $\{3, 4\}$ must be a bigon. Since Lemma 6.3 implies this bigon is parallel to B , the lemma at hand is satisfied.

Assume $n > 0$. Construct a high disk D^+ for the arc $K_{(5,6)}$ as in Lemma 6.15. See Figure 36. Assume R is an m -gon of $S \cap X^-$ for $m > 2$ with edges having label pairs among $\{2, 3\}$, $\{2, 5\}$, and $\{3, 4\}$.

Case 1 The edges of B and R lie in an essential annulus A in \widehat{T} .

By taking A smaller if necessary we may assume the interior of the arc $D^+ \cap \widehat{T}$ is disjoint from A . Let $M = \bar{N}(A \cup H_{(2,3)} \cup H_{(4,5)} \cup B \cup R)$.

Due to the existence of B , we may assume R has at least one edge with label pair $\{2, 3\}$ or else the argument assuming $n = 0$ applies. Therefore ∂R is a nonseparating curve on $\partial \bar{N}(A \cup H_{(2,3)} \cup H_{(4,5)} \cup B)$, and ∂M is a torus. Since M is contained in the solid torus $X^- - N(f \cup H_{(1,6)})$ in which the core of A is longitudinal, M must also be a solid torus such that the core of A is a longitude in M .

Let b_i , p_i , and \bar{p}_i for $i = 0, 1$ be as in Lemma 6.18. Then by Lemma 6.18 R has exactly one edge with label pair $\{2, 3\}$ and either $\bar{p}_0 = 0$, $\bar{p}_1 = 0$, or both $p_0 = \bar{p}_1$ and $p_1 = \bar{p}_0$. In particular, either $p_0 \neq 0$ or $p_1 \neq 0$ and always $\bar{p}_0 \leq p_1$. Note that the edges of R parallel to b_0 lie on the opposite side of B from the edges parallel to b_1 .

Beginning with the edge of R adjacent to b_0 label the p_0 edges of R parallel to b_0 as e_j for $j = 1, \dots, p_0$. Then beginning with the edge of R adjacent to b_1 label the first \bar{p}_0 edges that are parallel to b_1 as e_j for $j = p_0 + 1, \dots, (m - 1)/2$. If either $p_0 = 0$ or $p_1 = 0$ then all edges e_j for $j = 1, \dots, (m - 1)/2$ are of the second type or first type respectively. Also for each j let B_j be a copy of B .

For $j = 1, \dots, p_0$, let Δ_j be the bigon on \widehat{T} bounded by e_j and b_0 . Let ρ'_j and ρ''_j be the rectangles on $\partial H_{(2,3)}$ and $\partial H_{(4,5)}$ respectively bounded by the corners of R incident to e_j , the corners of Δ_j , the corners of B_j , and the appropriate final arcs of ∂U_3 and ∂U_4 . Name these final arcs γ'_j and γ''_j of ρ'_j and ρ''_j respectively.

For $j = p_0 + 1, \dots, (m-1)/2$, let Δ_j be the bigon on \hat{T} bounded by e_j and b_1 . Let ρ'_j and ρ''_j be the rectangles on $\partial H_{(2,3)}$ and $\partial H_{(4,5)}$ respectively bounded by the corners of R incident to e_j , the corners of Δ_j , the corners of B_j , and the appropriate final arcs of ∂U_2 and ∂U_5 . Name these final arcs γ'_j and γ''_j of ρ'_j and ρ''_j respectively.

Form the disks $D_j = \Delta_j \cup B_j \cup \rho'_j \cup \rho''_j$ for each $j = 1, \dots, (m-1)/2$. Sequentially attach each disk D_j to R along e_j and the corners incident to it and slightly isotop the current attached disk off of the remaining disks. The resulting complex is a low disk D^- for $K_{(2,3)}$. (Alternatively, one may conceive of D^- as the result of “sliding” each edge e_j over the bigon B_j .) By construction, the arcs γ''_j are disjoint from the edges of G_T with label pair $\{5, 6\}$. It follows that $D^+ \cap \hat{T}$ and $D^- \cap \hat{T}$ have disjoint interiors. Thus by Lemma 2.1 the existence of the pair of disks D^+ and D^- contradicts the thinness of K .

Case 2 The edges of B and R lie in a disk D in \hat{T} .

Consider the solid torus $M = \bar{N}(D \cup H_{(2,3)} \cup H_{(4,5)} \cup B)$. If R has more than one edge with label pair $\{2, 3\}$ then $M \cup \bar{N}(R)$ is a punctured lens space contained in a solid torus which cannot occur. If R has no edges with label pair $\{2, 3\}$ then the argument assuming $n = 0$ applies. Thus we may assume R has just one edge with label pair $\{2, 3\}$.

The procedure of Case 1 of constructing a low disk D^- that is disjoint from D^+ now applies with $p_0 = p_1 = (m-1)/2$ and $\bar{p}_0 = \bar{p}_1 = 0$. \square

Proposition 6.20 $t \neq 6$

Proof Assuming $t = 6$, we shall find contradictions to Lemma 6.14.

If a disk of $S \cap X^-$ is neither a bigon nor parallel to f , then by Lemma 6.19 it must have an edge with label pair $\{1, 4\}$ and an edge with label pair $\{5, 6\}$. Since there are only n edges with label pair $\{1, 4\}$ (and only n edges with label pair $\{5, 6\}$), there may be at most n disks that are neither bigons nor parallel to f .

If a disk of $S \cap X^-$ is a bigon yet not parallel to f , then again by Lemma 6.19 its edges must have label pairs $\{2, 5\}$ and $\{3, 4\}$, and all such bigons are parallel. Thus there may be at most as many bigons of $S \cap X^-$ not parallel to f as the number of edges in an edge (parallelism) class with label pair $\{3, 4\}$. As a result of the isotopies of Proposition 6.1, if g is a bigon then each edge class with label pair $\{3, 4\}$ contains $(s-n)/2$ edges. If g is a trigon then either there are $(s-n)/3$ trigons parallel to g whose edges account for all edges with label pair $\{3, 4\}$ or there are $(s-2n)/3$ trigons parallel to g whose edges along with an edge from each of the n trigons that

are meridional disks of W account for all edges with label pair $\{3, 4\}$. In the former case, there are at most $2(s - n)/3$ edges in an edge class with label pair $\{3, 4\}$. In the latter case, there are at most $2(s - 2n)/3 + n$ edges in an edge class with label pair $\{3, 4\}$. Therefore if g is a bigon there are at most $(s - n)/2$ bigons of $S \cap X^-$ not parallel to f , and if g is a trigon there are at most $2(s - 2n)/3 + n$ bigons of $S \cap X^-$ not parallel to f .

Any other disk of $S \cap X^-$ must be parallel to f .

Case 1 g is a bigon. By Lemma 6.14,

$$s + \frac{1}{2} + \frac{n}{2} \leq \sum_{R \in S \cap X^-} \chi(R).$$

Case 1a f is a bigon. Since f is a bigon then by Proposition 6.1 there are $(s - n)/2$ faces of $S \cap X^-$ parallel to f . Since g is a bigon then there are at most $(s - n)/2$ bigons of $S \cap X^-$ not parallel to f . Since there are at most n disks of $S \cap X^-$ that are not bigons (parallel to f or otherwise),

$$\begin{aligned} \sum_{R \in S \cap X^-} \chi(R) &= \sum_{\text{disks } R \in S \cap X^-} \chi(R) + \sum_{\text{nondisks } R \in S \cap X^-} \chi(R) \\ &\leq \left(\frac{s - n}{2} + \frac{s - n}{2} + n \right) + 0 \\ &= s. \end{aligned}$$

But $s + \frac{1}{2} + \frac{n}{2} \leq s$ is a contradiction.

Case 1b f is a trigon. Since f is a trigon then by Proposition 6.1 there are at most $(s - n)/3$ faces of $S \cap X^-$ parallel to f . Since g is a bigon then there are at most $(s - n)/2$ bigons of $S \cap X^-$ not parallel to f . Since there are at most n disks of $S \cap X^-$ that are neither bigons nor trigons parallel to f ,

$$\begin{aligned} \sum_{R \in S \cap X^-} \chi(R) &= \sum_{\text{disks } R \in S \cap X^-} \chi(R) + \sum_{\text{nondisks } R \in S \cap X^-} \chi(R) \\ &\leq \left(\frac{s - n}{3} + \frac{s - n}{2} + n \right) + 0 \\ &= \frac{5}{6}s + \frac{n}{6}. \end{aligned}$$

But $s + \frac{1}{2} + \frac{n}{2} \leq \frac{5}{6}s + \frac{n}{6}$ is a contradiction.

Case 2 g is a trigon. By Lemma 6.14,

$$\frac{7}{6}s + \frac{1}{2} + \frac{n}{3} \leq \sum_{R \in S \cap X^-} \chi(R).$$

Case 2a f is a bigon. Since f is a bigon then by Proposition 6.1 there are $(s-n)/2$ faces of $S \cap X^-$ parallel to f . Since g is a trigon then there are at most $2(s-2n)/3+n$ bigons of $S \cap X^-$ not parallel to f . Since there are at most n disks of $S \cap X^-$ that are not bigons (parallel to f or otherwise),

$$\begin{aligned} \sum_{R \in S \cap X^-} \chi(R) &= \sum_{\text{disks } R \in S \cap X^-} \chi(R) + \sum_{\text{nondisks } R \in S \cap X^-} \chi(R) \\ &\leq \left(\frac{s-n}{2} + 2 \frac{s-2n}{3} + n + n \right) + 0 \\ &= \frac{7}{6}s + \frac{n}{6}. \end{aligned}$$

But $\frac{7}{6}s + \frac{1}{2} + \frac{n}{3} \leq \frac{7}{6}s + \frac{n}{6}$ is a contradiction.

Case 2b f is a trigon. Since f is a trigon then by Proposition 6.1 there are at most $(s-n)/3$ faces of $S \cap X^-$ parallel to f . Since g is a trigon then there are at most $2(s-2n)/3+n$ bigons of $S \cap X^-$ not parallel to f . Since there are at most n disks of $S \cap X^-$ that are not bigons (parallel to f or otherwise),

$$\begin{aligned} \sum_{R \in S \cap X^-} \chi(R) &= \sum_{\text{disks } R \in S \cap X^-} \chi(R) + \sum_{\text{nondisks } R \in S \cap X^-} \chi(R) \\ &\leq \left(\frac{s-n}{3} + 2 \frac{s-2n}{3} + n + n \right) + 0 \\ &= s + \frac{n}{3}. \end{aligned}$$

But $\frac{7}{6}s + \frac{1}{2} + \frac{n}{3} \leq s + \frac{n}{3}$ is a contradiction. \square

7 The case $t = 4$

We continue to assume that K is in thin position and that $r \geq 4$. In light of Proposition 6.20, we have that $|K \cap \hat{T}| = t \leq 4$. If $t = 4$ we will show that K must also be in bridge position. Then since each graph G_S^x for $x = 1, 2, 3, 4$ must have a bigon or a trigon by Lemma 3.1, we will exhibit a width reducing isotopy of K that contradicts its supposed thinness.

The following lemma relating bridge position and thin position is an immediate consequence of definitions.

Lemma 7.1 *If a knot K in thin position has no thin levels, then it is in bridge position.*

To show that thin position of K is bridge position, we must consider the existence of a second thick level. If \widehat{T}' is another thick level, let $T' = \widehat{T}' - N(K)$. We may assume that S has been isotoped (with support outside a neighborhood of \widehat{T}) so that S and \widehat{T}' intersect transversely and every arc of $S \cap T'$ is essential in both S and T' . We then form the fat vertexed graphs G'_T and G'_S . Since \widehat{T} and \widehat{T}' are disjoint, the edges of the graphs G_S and G'_S are disjoint. Hence the graphs G_S and G'_S may be considered simultaneously on \widehat{S} .

Lemma 7.2 *Assume f is the face of an Sp cycle for $p = 2$ or 3 with label pair $\{x, x+1\}$ so that $\partial f \cap K = K_{(x, x+1)}$. Further assume that f is below (resp. above) \widehat{T} . If \widehat{T}' is another thick level below (resp. above) \widehat{T} then $\widehat{T}' \cap K_{(x, x+1)} \neq \emptyset$. In particular f contains the face of an Sp cycle of G'_S .*

Proof We show the case that f is below \widehat{T} .

By Lemma 3.3 the edges of f lie in an essential annulus A on \widehat{T} and the core of A runs p times longitudinally in X^- .

If \widehat{T}' is disjoint from f , then f is disjoint from $\widehat{T}_{-\infty}$. Thus the curve $\widehat{T}_{-\infty}$ must be isotopic to a curve on \widehat{T} that is disjoint from A . This contradicts that $\widehat{T}_{-\infty}$ runs just once in the longitudinal direction of X^- . Therefore $f \cap \widehat{T}' \neq \emptyset$.

If \widehat{T}' is disjoint from $K_{(x, x+1)}$, then \widehat{T}' intersects f in simple closed curves. A simple closed curve of $\widehat{T}' \cap f$ innermost on f bounds a disk. This contradicts Lemma 3.20. Thus $\widehat{T}' \cap K_{(x, x+1)} \neq \emptyset$.

Since the each arc of $S \cap T'$ is essential in S , each edge of G'_S on f must be parallel on f to one of the edges of ∂f . Note that \widehat{T}' intersects $K_{(x, x+1)}$ an even number of times. Each of these intersections appear on each corner of f . Since $p = 2$ or 3 , it is clear that f contains an Sp cycle of G'_S . □

Theorem 7.3 $t = 2$

Proof By Proposition 6.20, $t \leq 4$. Assume $t = 4$.

By Lemma 3.1 for each of the labels $y \in \mathbf{t} = \{1, 2, 3, 4\}$ the graph G_S^y must have a bigon or a trigon.

Due to Lemma 3.6, since $t = 4$ any two distinct label pairs of S_2 and S_3 cycles in G_S must intersect. Therefore the set of label pairs of S_2 and S_3 cycles in G_S has cardinality at most two. Hence the S_2 and S_3 cycles in G_S account for at most three of the four labels. Thus for some $y \in \mathbf{t}$ the graph G_S^y contains an extended S_2 cycle, an extended S_3 cycle, or a forked extended S_2 cycle.

Let F be the face of this extended $S2$ cycle, extended $S3$ cycle, or forked extended $S2$ cycle. Let σ be the Scharlemann cycle contained in the interior of F and let f be the face of G_S that σ bounds. By relabeling we may assume that f lies below \hat{T} and that σ has label pair $\{1, 4\}$. Since $r \geq 4$, by Lemma 3.3 the edges of σ lie in an essential annulus in \hat{T} . The arc $K_{(2,3)}$ is the only arc of K not appearing among the corners of F .

If F is bounded by an extended $S2$ cycle or extended $S3$ cycle, then the arcs $K_{(1,2)}$ and $K_{(3,4)}$ lie on an annulus formed from bigons of $F \setminus f$. This annulus is necessarily parallel onto \hat{T} through one of the two solid tori it cuts off from X^+ . Since K is in thin position, the arcs $K_{(1,2)}$ and $K_{(3,4)}$ each have only one critical point (a maximum) in their interiors.

If F is bounded by a forked extended $S2$ cycle, then the arcs $K_{(1,2)}$ and $K_{(3,4)}$ lie on the complex formed from the bigon and trigon of $F \setminus f$. As in Lemma 3.14, we may construct a high disk D_g for one of the two arcs of K . Since the two arcs of $K \cap X^+$ are joined by a bigon of G_S , it follows that they each have only one critical point in their interiors.

Regardless of whether F is bounded by an extended Scharlemann cycle or a forked extended Scharlemann cycle, the two arcs $K_{(1,2)}$ and $K_{(3,4)}$ each have high disks that intersect \hat{T} in an annulus R that contains edges of f in just one of its boundaries.

Lemma 4.10 applies to show that the arc of K containing the highest minimum below \hat{T} bounds a low disk D with an arc of \hat{T} such that the interior of D is disjoint from F and K .

By Lemma 7.2, if $K_{(4,1)}$ contains the highest minimum then there cannot be another thick level below \hat{T} . Thus K is in bridge position. Therefore the arc $K_{(2,3)}$ has a low disk D with interior disjoint from f . Alternately, if we assume the arc $K_{(2,3)}$ contains the highest minimum, then by Lemma 4.10 $K_{(2,3)}$ again has a low disk D with interior disjoint from f .

Since the high disks of the arcs $K_{(1,2)}$ and $K_{(3,4)}$ intersect \hat{T} in R and the interior of the low disk D for the arc $K_{(2,3)}$ is disjoint from f , these three arcs are contained within a solid torus $R' \times [-\epsilon, \epsilon]$ for some annulus $R' \subseteq \hat{T}$ that extends R to contain $D \cap \hat{T}$ and some $\epsilon > 0$. As R contains edges of f in just one of its boundaries, so does R' . Hence $R' \times [-\epsilon, \epsilon]$ may be assumed to have its interior disjoint from f .

Via the two high disks, isotop the arcs $K_{(1,2)}$ and $K_{(3,4)}$ onto R . Then, along the component of ∂R in $\text{Int } R'$, pivot D in $R' \times [-\epsilon, \epsilon]$ 180° through $R' \setminus R$ so that it is contained in X^+ . Finally, a further small isotopy to make $K_{(1,2)}$ and $K_{(3,4)}$ transverse to the height function will reduce the width of K . See Figure 40. This contradicts the thinness of K . Hence $t \neq 4$. \square

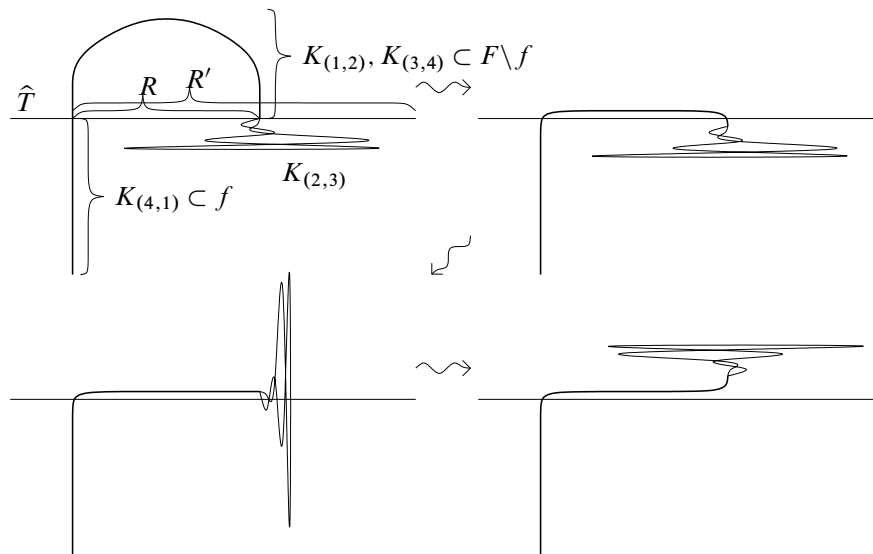


Figure 40: The isotopy of K from a 2-bridge position to a 1-bridge position

Lemma 7.4 *If $t = 2$ then K is at most 1-bridge.*

Proof Since the first critical point of K above \hat{T} is a maximum, there can be no other critical points of K above \hat{T} . Similarly, the arc of K below \hat{T} may have no critical points other than a minimum. Hence there are no thin levels. By Lemma 7.1 K is in bridge position. Since $t = 2$, $b(K) \leq 1$. \square

8 The case $r = 3$

In this section we assume $r = 3$. Since $r \geq s \geq 4g - 1$, either $g = 0$ or $r = s$ and $g = 1$. If $g = 0$ then $N(S) \cup N(K)$ is a punctured lens space of order 3 and hence K is 0-bridge. Thus we assume $g = 1$. Goda and Teragaito have shown the following.

Theorem 8.1 (Goda–Teragaito [5]) *No Dehn surgery on a genus one, hyperbolic knot in S^3 gives a lens space.*

We adapt their proof of this theorem for our case that $r = 3$ and $g = 1$.

Theorem 8.2 *If $r = 3$ then $b(K) \leq 1$.*

To prove this, we follow Section 5 of [5]. First we need to adapt some lemmas from Section 3 of [5].

Lemma 8.3 (cf [5, Lemma 3.1]) Let $\{e_1, e_2, \dots, e_t\}$ be mutually parallel edges in G_S numbered successively. If r is odd, then $\{e_{t/2}, e_{t/2+1}\}$ is an S^2 cycle.

Proof As in the first paragraph of the proof of Lemma 3.1 of [5] we assume e_i has the label i at one endpoint for $1 \leq i \leq t$ and that e_{2j} has the label 1 at its other endpoint for some $j < t/2$. Thus we obtain two S^2 cycles σ_1 and σ_2 with disjoint label pairs. Similarly we let f_i be the face of G_S bounded by σ_i for $i = 1, 2$.

Since $r \neq 2$, by Lemma 3.2 the edges of each σ_1 and σ_2 do not lie in a disk. Thus they lie in an essential annulus. The proof of Lemma 3.6 then carries through to show that f_1 and f_2 lie on opposite sides of \hat{T} . Furthermore, by disk exchanges outside of $N(\sigma_1 \cup \sigma_2)$, we may construct a Heegaard torus \hat{T}' from \hat{T} so that the edges of σ_i lie in an essential annulus in \hat{T}' and $\text{Int } f_i \cap \hat{T}' = \emptyset$ for $i = 1, 2$.

We then construct two disjoint Möbius bands B_1 and B_2 on either side of \hat{T}' as in the proof of Lemma 2.5 of [5] and the beginning of our Section 4. Since ∂B_1 and ∂B_2 are parallel on \hat{T}' , they divide \hat{T}' into two annuli. Let A be one of these annuli. Then $B_1 \cup A \cup B_2$ is an embedded Klein bottle in our lens space X . Thus the order of X is even. This contradicts that r is odd.

Therefore the edge e_t has the label 1 at its other endpoint and $\{e_{t/2}, e_{t/2+1}\}$ is an S^2 cycle. \square

Lemma 8.4 (cf [5, Lemma 3.2]) If r is odd, then G_S does not contain more than t mutually parallel edges.

Proof In the proof of Lemma 3.2 of [5], replace each occurrence of Lemma 3.1 with our Lemma 8.3. \square

Lemma 8.5 (cf [5, Lemma 5.2]) If r is odd, then G_S cannot have more than $t/2$ mutually parallel edges.

Proof In the proof of Lemma 5.2 of [5], replace Lemma 3.1 with our Lemma 8.3 and Lemma 3.2 with our Lemma 8.4. \square

Proof of Theorem 8.2 If $t = 2$ then Lemma 7.4 implies $b(K) \leq 1$. Thus we assume $t \geq 4$. Also assume the interior of S has been isotoped to minimize $|S \cap T|$.

Following the proof of Lemma 5.3 of [5]: The vertex of G_S has valency $3t$, and there are a total of $3t/2$ edges of G_S . By Lemma 8.5, G_S consists of three families of mutually parallel edges each containing exactly $t/2$ edges. Thus there is no S^2 cycle in G_S , but there are two S^3 cycles σ_1 and σ_2 which we may assume to have label pairs $\{t, 1\}$ and $\{t/2, t/2 + 1\}$ respectively by an appropriate choice of relabeling. Let g_i be the face of G_S bounded by σ_i for $i = 1, 2$.

Note that each graph G_S^x for $x \in \mathbf{t}$ consists of three edges with label pair $\{x, t - x + 1\}$. Each such triple of edges G_S^x is a “twice” (extended) S^3 cycle: to one side it bounds a trigon containing g_1 and to the other side it bounds a trigon containing g_1 .

The proof of Claim 5.5 of [5] carries through without alteration to show each of these extended S^3 cycles lie in essential annuli in \hat{T} . Thus $S \cap T$ cannot contain a simple closed curve that bounds a disk in \hat{T} without bounding a disk in T . Because every face of G_S is a disk, every simple closed curve of $S \cap T$ must bound a disk on S . Thus each simple closed curve of $S \cap T$ that is trivial on \hat{T} is also trivial on S .

Let D_T be an disk on \hat{T} bounded by a simple closed curve of $S \cap T$ that is both trivial and innermost on \hat{T} . Let D_S be the disk in S bounded by ∂D_T . Since D_T must be disjoint from K , $D_S \cup D_T$ forms a 2–sphere that is disjoint from K . Since lens spaces are irreducible, $D_S \cup D_T$ bounds a ball B . Because K is not nullhomologous in our lens space X , $K \not\subseteq B$. Thus there is an isotopy of $\text{Int } S$ with support in a neighborhood of B pushing D_S past D_T thereby reducing $|S \cap T|$. This contradicts our minimality assumption. Thus any simple closed curve of $S \cap T$ is essential on \hat{T} . Furthermore, any simple closed curve of $S \cap T$ innermost on S must bound a meridional disk of the same solid torus on one side of \hat{T} .

For each $i = 1, 2$, let A_i be a narrow annulus in \hat{T} in which σ_i lies that does not contain any simple closed curves of $S \cap T$. If $S \cap T$ does indeed contain simple closed curves, then let δ be an innermost simple closed curve on S bounding the disk D . The cores of the A_i are parallel on \hat{T} to δ , and $\delta \subseteq \hat{T} \setminus (A_1 \cup A_2)$. For each $i = 1, 2$, let A'_i be the annulus on \hat{T} between A_i and δ , and let $D'_i = A_i \cup A'_i \cup D$ slightly pushed off D so that D'_1 and D'_2 are disjoint from each other and from D . If $\text{Int}(g_1 \cup g_2) \cap (A'_1 \cup A'_2) \neq \emptyset$ then perform disk exchanges on $g_1 \cup g_2$ with $D'_1 \cup D'_2$ to produce trigons g'_i from g_i for each $i = 1, 2$ so that $\text{Int}(g'_1 \cup g'_2) \cap (A'_1 \cup A'_2) = \emptyset$. Note that $\partial g'_i = \partial g_i$. Then $\bar{N}(D'_1 \cup H_{(t,1)} \cup g'_1)$ and $\bar{N}(D'_2 \cup H_{(t/2, t/2+1)} \cup g'_2)$ gives two disjoint punctured lens spaces in X , which is absurd. Thus $S \cap T$ contains no simple closed curves.

The proof of Claim 5.4 of [5] (from which the preceding paragraph takes inspiration) may now be used to show that g_1 and g_2 lie on opposite sides. Lemma 3.3 then

implies that the cores of the A_i are not meridional curves for the solid tori on either side of \hat{T} . Thus $t/2$ is odd, and so $t \geq 6$.

Section 4 now applies to the extended S^3 cycle σ_2 considered as bounding the trigon F containing g_1 . Lemma 4.13 implies that F may account for at most $t/2 + 1$ labels. This contradicts that F accounts for all t labels. \square

References

- [1] **Berge**, *Some knots with surgeries yielding lens spaces*, unpublished manuscript
- [2] **S A Bleiler, R A Litherland**, *Lens spaces and Dehn surgery*, Proc. Amer. Math. Soc. 107 (1989) 1127–1131 MR984783
- [3] **M Culler, C M Gordon, J Luecke, P B Shalen**, *Dehn surgery on knots*, Bull. Amer. Math. Soc. (N.S.) 13 (1985) 43–45 MR788388
- [4] **D Gabai**, *Foliations and the topology of 3-manifolds. III*, J. Differential Geom. 26 (1987) 479–536 MR910018
- [5] **H Goda, M Teragaito**, *Dehn surgeries on knots which yield lens spaces and genera of knots*, Math. Proc. Cambridge Philos. Soc. 129 (2000) 501–515 MR1780501
- [6] **C M Gordon**, *Combinatorial methods in Dehn surgery*, from: “Lectures at KNOTS ’96 (Tokyo)”, Ser. Knots Everything 15, World Sci. Publ., River Edge, NJ (1997) 263–290 MR1474525
- [7] **C M Gordon**, *Toroidal Dehn surgeries on knots in lens spaces*, Math. Proc. Cambridge Philos. Soc. 125 (1999) 433–440 MR1656809
- [8] **C M Gordon, J Luecke**, *Knots are determined by their complements*, J. Amer. Math. Soc. 2 (1989) 371–415 MR965210
- [9] **T Homma, M Ochiai, M-o Takahashi**, *An algorithm for recognizing S^3 in 3-manifolds with Heegaard splittings of genus two*, Osaka J. Math. 17 (1980) 625–648 MR591141
- [10] **W Jaco**, *Lectures on three-manifold topology*, CBMS Regional Conference Series in Mathematics 43, American Mathematical Society, Providence, R.I. (1980) MR565450
- [11] **R A Litherland**, *Surgery on knots in solid tori. II*, J. London Math. Soc. (2) 22 (1980) 559–569 MR596334
- [12] **L Moser**, *Elementary surgery along a torus knot*, Pacific J. Math. 38 (1971) 737–745 MR0383406
- [13] **P Ozsváth, Z Szabó**, *Absolutely graded Floer homologies and intersection forms for four-manifolds with boundary*, Adv. Math. 173 (2003) 179–261 MR1957829
- [14] **P Ozsváth, Z Szabó**, *Holomorphic disks and genus bounds*, Geom. Topol. 8 (2004) 311–334 MR2023281

- [15] **P Ozsváth, Z Szabó**, *On knot Floer homology and lens space surgeries*, *Topology* 44 (2005) 1281–1300 MR2168576
- [16] **J Rasmussen**, *Lens space surgeries and a conjecture of Goda and Teragaito*, *Geom. Topol.* 8 (2004) 1013–1031 MR2087076
- [17] **Y Rieck**, *Heegaard structures of manifolds in the Dehn filling space*, *Topology* 39 (2000) 619–641 MR1746912
- [18] **M Scharlemann**, *Thin position in the theory of classical knots*, from: “Handbook of knot theory”, Elsevier B. V., Amsterdam (2005) 429–459 MR2179267
- [19] **W P Thurston**, *The Geometry and Topology of 3-manifolds* (1978) Mimeographed lecture notes
- [20] **W P Thurston**, *Three-dimensional manifolds, Kleinian groups and hyperbolic geometry*, *Bull. Amer. Math. Soc. (N.S.)* 6 (1982) 357–381 MR648524

*School of Mathematics, Georgia Institute of Technology
Atlanta, GA 30332-0160, USA*

kb@math.gatech.edu

Received: 12 June 2005

